

# HL606/1

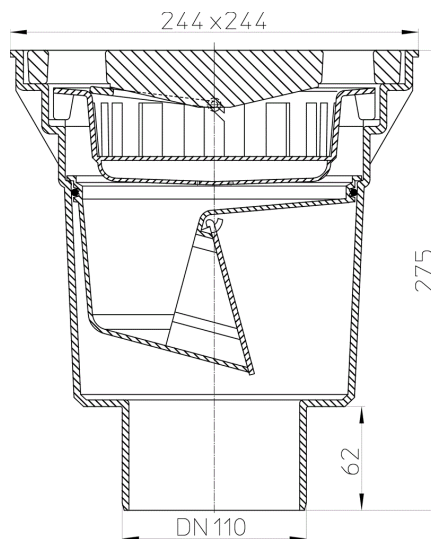
perfect-drain DN110 vertical 244x244mm plastic/226x226mm cast iron with frost-proof flap seal



perfect-drain DN110 vertical with plastic grate frame 244 x 244 mm, cast iron grate 226 x 226 mm, strainer and frost- and drought-proof flap seal



## Techn. drawing



## TECHNICAL DATA

<b>material</b>	PP	<b>installation height</b>	
<b>dimension</b>	DN110	<b>grate frame</b>	244 x 244 mm
<b>capacity</b>	4,3 l/s	<b>grate</b>	Gusseisen 226 x 226 mm

<b>weight</b>	6,981	<b>load class</b>	A - 1,5 t (außen)
<b>EAN</b>	9003076906062	<b>inlet</b>	
		<b>standards</b>	

## MAIN DATA

### spare parts



**HL0606.1E**  
cast iron grate 226x226mm



**HL0606.2E**  
strainer



**HL0606.3E**  
flap cartridge



**HL606K/1**  
perfect-drain body DN110 vertical 244x244mm plastic

### attachment



**HL0605.2E**  
trap cartridge



**HL609**  
heating kit 36W/230V



**HL860**  
fire collar R90 for HL-perfect series (DN110 vertical!)

### Alternatives



**HL606.1/1**  
Perfect-drain DN110 vertical 260x260mm/226x226mm cast iron with frost-proof flap seal



**HL606.1/5**  
perfect-drain DN160 vertical 260x260mm/226x226mm cast iron with frost-proof flap seal



**HL606.1W/1**  
perfect-drain DN110 vertical 260x260mm/226x226mm cast iron with trap seal



**HL606.1W/5**  
perfect-drain DN160 vertical 260x260mm/226x226mm cast iron with trap seal



**HL606/5**  
perfect-drain DN160 vertical 244x244mm plastic/226x226mm cast iron with frost-proof flap seal



**HL606L/1**  
perfect-drain DN110 vertical 244x244mm/226x226mm plastic with frost-proof flap seal



**HL606L/5**  
perfect-drain DN160 vertical 244x244mm/226x226mm plastic with frost-proof flap seal



**HL606LW/1**  
perfect-drain DN110 vertical 244x244mm/226x226mm plastic with trap seal



**HL606LW/5**  
perfect-drain DN160 vertical 244x244mm/226x226mm plastic with trap seal

**HL606S/1**

perfect-drain DN110 vertical 244x244mm plastic/226x226mm stainless steel with frost-proof flap seal

**HL606S/5**

perfect-drain DN160 vertical 244x244mm plastic/226x226mm stainless steel with frost-proof flap seal

**HL606SW/1**

perfect-drain DN110 vertical 244x244mm plastic/226x226mm stainless steel with trap seal

**HL606SW/5**

perfect-drain DN160 vertical 244x244mm plastic/226x226mm stainless steel with trap seal

**HL606W/1**

perfect-drain DN110 vertical 244x244mm plastic/226x226mm cast iron with trap seal

**HL606W/5**

perfect-drain DN160 vertical 244x244mm plastic/226x226mm cast iron with trap seal

**extensions****HL608**

extension 144mm/d 195mm

**HL608.1**

extension 144mm/d 195mm with cast iron frame

**HL618**

Extension 130mm/d 195mm with flange

**HL618H**

extension 130mm/d 195mm with bitumen membrane

**HL620**

extension 105mm/d 195mm

**DOWNLOADS**

<b>Foto Print</b>	<b>HL606_pr.tif</b>	max.
<b>Foto Web</b>	<b>HL606_B.jpg</b>	640x480/300dpi
<b>Foto Parts List</b>	<b>HL606_gr.jpg</b>	150x150/72dpi
<b>Techn. drawing</b>	<b>HL606_1_a.pdf</b>	pdf
<b>CAD</b>	<b>HL606_1_2_a.dxf</b>	dxf
<b>example of use</b>	<b>HL606x1_PZ.pdf</b>	pdf