

# HL660E

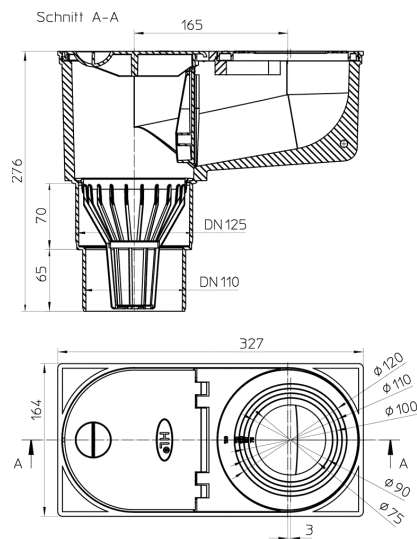
Rain hopper DN110/125 with leaf strainer, adapter rings d 75-110mm and frost-proof flap seal



Minimax-rain hopper DN110/125 with leaf strainer, adapter rings (for cutting out) d 75-110mm and frost-proof flap seal



## Techn. drawing



## TECHNICAL DATA

<b>material</b>	PP	<b>installation height</b>
<b>dimension</b>	DN110/125	<b>grate frame</b>
<b>capacity</b>	6,6l/sec	<b>grate</b>
<b>weight</b>	0,8	<b>load class</b>

EAN

9003076029556

inlet

standards

## MAIN DATA

### spare parts



**HL0600.10E**

HL660 ECO Ring (DN75 to DN120)



**HL0600.2E**

Leaf strainer



**HL0600.3E**

cleaning eye



**HL0600.4E**

flap

## PACKAGING DATA

### carton

unit	1 [pcs.]
weight	1,04 [kg]
EAN/pack.	9003076029556
height/width/depth	170/280/330 [mm]
volume	0,015708 [m <sup>3</sup> ]

### single use pallet

unit	132 [pcs.]
weight	157 [kg]
EAN/pack.	
height/width/depth	2100/1000/1300 [mm]
volume	2,73 [m <sup>3</sup> ]

## DOWNLOADS

Foto Print	<b>HL660E_pr.tif</b>	max.
Foto Web	<b>HL660E_B.jpg</b>	640x480/300dpi
Foto Parts List	<b>HL660E_gr.jpg</b>	150x150/72dpi
Techn. drawing	<b>HL660E_a.pdf</b>	pdf
example of use	<b>HL660E_PZ.pdf</b>	pdf