

HL715.0

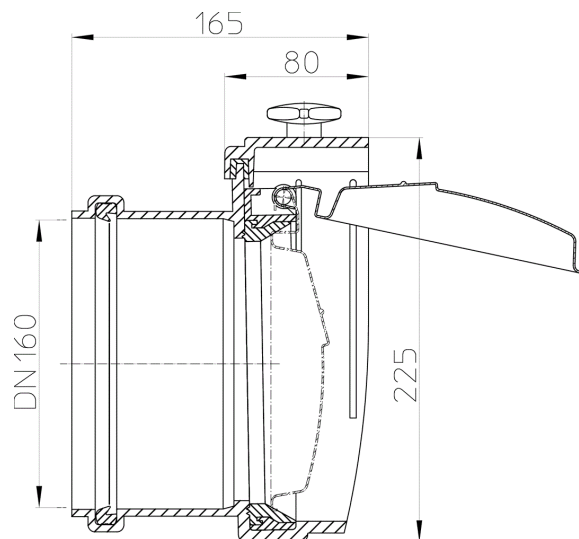
anti-flood valve DN160 with stainless steel flap and socket for plastic pipes



anti-flood valve DN160 with automatic stainless steel flap and socket for plastic pipes.
ATTENTION! New model - identifiable by socket molded to the body. Models with screwed sockets have other spare parts - please contact HL!



Techn. drawing



TECHNICAL DATA

material	ABS	installation height	218 mm
dimension	DN160	grate frame	
capacity		grate	
weight	1,43	load class	

EAN

9003076971503

inlet

standards

MAIN DATA

spare parts



HL01090D
lip seal DN160



HL0710.33E
casing cover NEW



HL0710.35E
flap cartridge NEW



HL01080D
flap seal NEW



HL0710.8E
butterfly nuts (4 Stk.)

DOWNLOADS

Foto Print	HL710x0_pr.tif	max.
Foto Web	HL710x0_B.jpg	640x480/300dpi
Foto Parts List	HL710x0_gr.jpg	150x150/72dpi
Techn. drawing	HL715_0_b.pdf	pdf
CAD	HL715_0_2_b.dxf	dxf