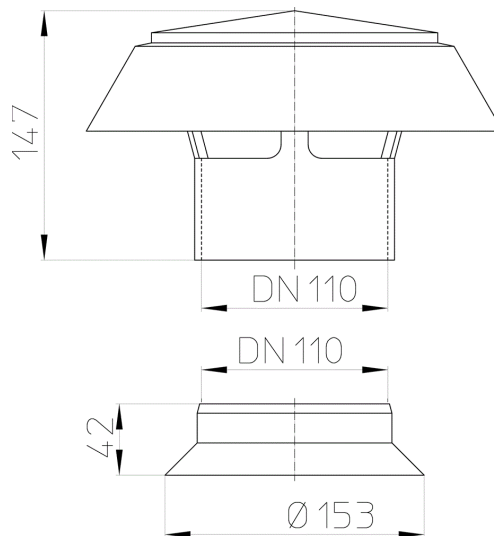


HL810

roof ventpipe fitting DN110



Techn. drawing



TECHNICAL DATA

material	PP	installation height
dimension	DN110	grate frame
capacity		grate
weight	0,27	load class
EAN	9003076908103	inlet
		standards

MAIN DATA

spare parts



HL810.0

ventpipe cover DN110



HL810.1

ventpipe sleeve DN110

DOWNLOADS

Foto Print	HL805_pr.tif	max.
Foto Web	HL805_B.jpg	640x480/300dpi
Foto Parts List	HL805_gr.jpg	150x150/72dpi
Techn. drawing	HL810_b.pdf	pdf
CAD	HL810_2_b.dxf	dxf