

# HL83.0

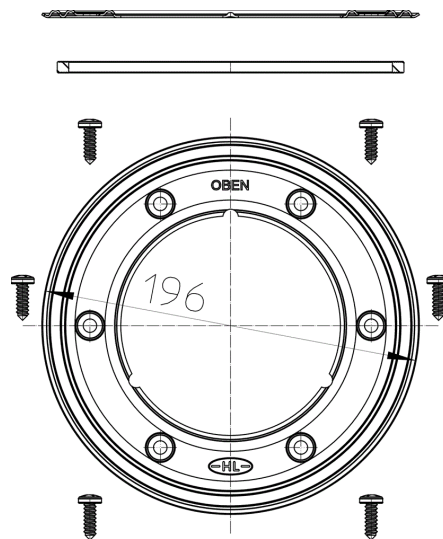
waterproofing kit



waterproofing kit consisting of stainless steel clamping ring 200 x 115 mm with screws and gasket



## Techn. drawing



## TECHNICAL DATA

<b>material</b>	Edelstahl	<b>installation height</b>
<b>dimension</b>	196 x 114 mm	<b>grate frame</b>
<b>capacity</b>		<b>grate</b>
<b>weight</b>	0,245	<b>load class</b>

EAN

9003076718306

inlet

standards

## MAIN DATA

### spare parts



**HL01023D**

lip seal 180x6mm



**HL083.1E**

screws 6,3x16mm (6 Stk.)



**HL083.2E**

stainless steel flange 200x115mm

### attachment



**HL083.3E**

EPDM-collar 400x400mm



**HL083.4E**

Laminated fleece

## DOWNLOADS

<b>Foto Print</b>	<b>HL83x0_pr.tif</b>	max.
<b>Foto Web</b>	<b>HL83x0_B.jpg</b>	640x480/300dpi
<b>Foto Parts List</b>	<b>HL83x0_gr.jpg</b>	150x150/72dpi
<b>Techn. drawing</b>	<b>HL83_0_b.pdf</b>	pdf