

# HL90K

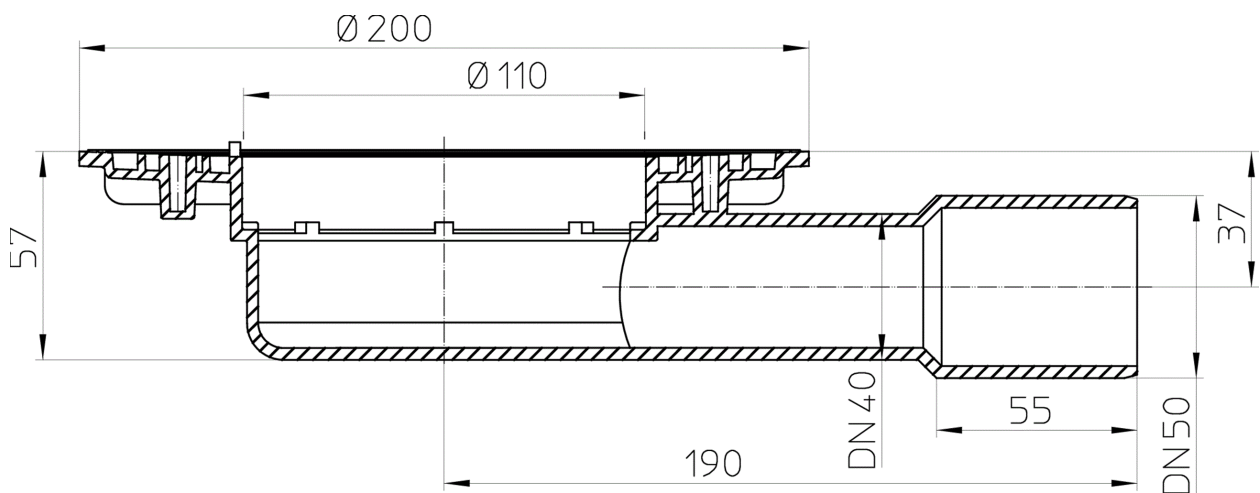
balcony and terrace drain body DN40/50 horizontal



balcony and terrace drainbody DN40/50 horizontal with flange. Comes with lot cover.



## Techn. drawing



## TECHNICAL DATA

material	PP	installation height	57 mm
dimension	DN40/50	grate frame	
capacity		grate	
weight	0,218	load class	
EAN	9003076013395	inlet	

## MAIN DATA

## attachment



**HL080.2ENWE**  
grate frame d 110mm/92mm/100x100mm incl. O-ring



**HL0301.11E**  
solid brass grate gold plated 94x94mm



**HL0301.3E**  
polished solid brass grate 94x94mm



**HL0301.4E**  
stainless steel grate white 94x94mm



**HL080.1E**  
stainless steel grate 94x94mm



**HL090.4E**  
flap cartridge



**HL180**  
gravel guard d 110mm



**HL181**  
Flat leaf catcher for balcony or terrasse drains of series HL80, HL90 and HL310NK, HL510NK



**HL3000**  
grating d 110mm/stainless steel frame 121x121mm/115x115mm. System "KLICK-KLACK". Comes with supporting frame/cover.



**HL0510.7EKK**  
trap seal cartridge



**HL2000KK**  
trap seal PRIMUS



**HL619**  
fixing brackets



**HL36N**  
grating d 110mm/100x100mm/94x94mm



**HL0301.11E**  
solid brass grate gold plated 94x94mm



**HL0301.3E**  
polished solid brass grate 94x94mm



**HL0301.4E**  
stainless steel grate white 94x94mm



**HL619**  
fixing brackets



**HL37N**  
grating d 110mm/123x123mm/115x115mm. Comes with lot cover



**HL0510.7E**  
trap seal cartridge



**HL090.4E**  
flap cartridge



**HL2000**  
trap seal PRIMUS



**HL619**  
fixing brackets



**HL37NP**  
grating d 110mm/PVC-collar 185x185mm/115x115mm



**HL0510.7E**  
trap seal cartridge



**HL090.4E**  
flap cartridge



**HL2000**  
trap seal PRIMUS



**HL619**  
fixing brackets



**HL38N**  
grating round d 110mm/stainless steel frame d 133mm/d 112mm



**HL619**  
fixing brackets



**HL39**  
Grating d 110mm/147x147mm/140x140mm



**HL0300.1SE**  
stainless steel grate (316) 140x140mm



**HL0300.3E**  
polished solid brass grate 140x140mm



**HL0300.4E**  
stainless steel grate white 140x140mm



**HL0510.7E**  
trap seal cartridge



**HL090.4E**  
flap cartridge



**HL2000**  
trap seal PRIMUS



**HL619**  
fixing brackets



**HL39G**  
grating d 110mm/cast iron frame 150x150mm/137x137mm cast iron



**HL0510.7E**  
trap seal cartridge



**HL090.4E**  
flap cartridge



**HL2000**  
trap seal PRIMUS



**HL619**  
fixing brackets



**HL619**  
fixing brackets



**HL82**  
heating kit 18W/230V

### extensions



**HL340N**  
extension 80mm/d 110mm incl. O-ring



**HL85N**  
extension with flange incl. O-ring



**HL85NC**  
extension d 110mm CeraDrain with polymer concrete collar incl. O-ring



**HL85NH**  
extension incl. O-ring with bitumen membrane

### Waterproofing Kits



**HL83**  
waterproofing kit with EPDM collar 400x400mm



**HL83.0**  
waterproofing kit



**HL83.H**  
waterproofing kit with bitumen membrane d 400mm



**HL83.M**  
Sealing kit with laminated fleece



**HL83.P**  
waterproofing kit with flange PVC d 287mm

### used with



**HL90**  
balcony and terrace drain DN40/50 horizontal 123x123mm/115x115mm



**HL90.2**  
balcony and terrace drain DN40/50 horizontal with frost-proof flap seal, 123x123mm/115x115mm



**HL90Prblue**  
Floor drain DN40/50 horizontal with trap Primus blue, 123x123mm/115x115mm.



### **HL90Prblue-3000**

Floor drain DN40/50 horizontal with sifon Primus blue, 121x121mm, "Klick-Klack", 115x115mm.

#### **DOWNLOADS**

<b>Foto Print</b>	<b><a href="#">HL90K_pr.tif</a></b>	max.
<b>Foto Web</b>	<b><a href="#">HL90K_B.jpg</a></b>	640x480/300dpi
<b>Foto Parts List</b>	<b><a href="#">HL90K_gr.jpg</a></b>	150x150/72dpi
<b>Techn. drawing</b>	<b><a href="#">HL90K_b.pdf</a></b>	pdf
<b>CAD</b>	<b><a href="#">HL90K_2_b.dxf</a></b>	dxf