

HL90KH

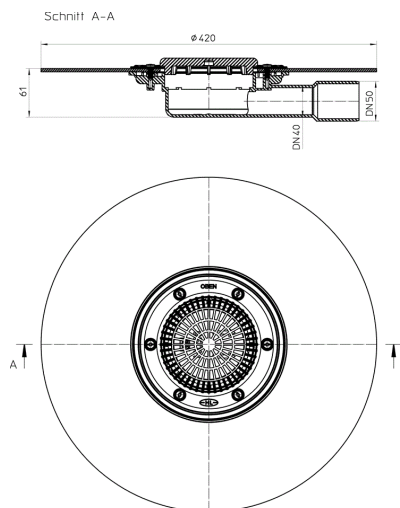
Balcony- and terrace drain body DN40/50 horizontal, flat, with bitumene flange



Balcony- and terrace drain body DN40/50 horizontal, flat version, with pre-welded bitumene flange for a perfect connection to bitumene waterproofings. Lot cover included.



Techn. drawing



TECHNICAL DATA

material	PP, Bitumen	installation height	57 mm
dimension	DN40/50	grate frame	
capacity	0,6 l/s	grate	
weight	1,1	load class	

MAIN DATA**spare parts****HL181**

Flat leaf catcher for balcony or terrasse drains of series HL80, HL90 and HL310NK, HL510NK

attachment**HL090.0E**

strainer (HL90)

**HL090.4E**

flap cartridge

HL3000

grating d 110mm/stainless steel frame 121x121mm/115x115mm. System "KLICK-KLACK". Comes with supporting frame/cover.

**HL0510.7EKK**

trap seal cartridge

**HL2000KK**

trap seal PRIMUS

**HL619**

fixing brackets

**HL3120**

stainless steel grate 115x115mm "Quadra"

**HL3121**

stainless steel grate 115x115mm "Seine"

**HL3122**

stainless steel grate 115x115mm "Loire"

**HL3123**

stainless steel grate 115x115mm "Orinoko"

**HL3124**

stainless steel grate 115x115mm "Nil"

**HL3125**

stainless steel grate 115x115mm "Yukon"

**HL3127**

Stainless steel grate 115x115mm 'Primus Design'

**HL3140**

stainless steel grate 115 x 115 mm "Rondo"

**HL37N**

grating d 110mm/123x123mm/115x115mm. Comes with lot cover

**HL0510.7E**

trap seal cartridge



HL090.4E
flap cartridge



HL2000
trap seal PRIMUS



HL619
fixing brackets



HL38N
grating round d 110mm/stainless steel frame d 133mm/d 112mm



HL619
fixing brackets



HL39
Grating d 110mm/147x147mm/140x140mm



HL0300.1SE
stainless steel grate (316) 140x140mm



HL0300.3E
polished solid brass grate 140x140mm



HL0300.4E
stainless steel grate white 140x140mm



HL0510.7E
trap seal cartridge



HL090.4E
flap cartridge



HL2000
trap seal PRIMUS



HL619
fixing brackets



HL39G
grating d 110mm/cast iron frame 150x150mm/137x137mm cast iron



HL0510.7E
trap seal cartridge



HL090.4E
flap cartridge



HL2000
trap seal PRIMUS



HL619
fixing brackets



HL619
fixing brackets



HL82
heating kit 18W/230V

Alternatives



HL80HK

floor/balcony and terrace drain body DN50/75 ball-joint with bitumen membrane

extensions



HL340N

extension 80mm/d 110mm incl. O-ring



HL85N

extension with flange incl. O-ring



HL85NC

extension d 110mm CeraDrain with polymer concrete collar incl. O-ring



HL85NH

extension incl. O-ring with bitumen membrane

PACKAGING DATA

carton

unit	1 [pcs.]
weight	1,321 [kg]
EAN/pack.	9003076036998
height/width/depth	145/260/435 [mm]
volume	0,0163995 [m ³]

single use pallet

unit	90 [pcs.]
weight	129 [kg]
EAN/pack.	
height/width/depth	1800/800/1300 [mm]
volume	1,872 [m ³]

DOWNLOADS

Foto Print	HL90KH_pr.tif	max.
Foto Web	HL90KH_B.jpg	640x480/300dpi
Foto Parts List	HL90KH_gr.jpg	150x150/72dpi
Techn. drawing	HL90KH_1_a.pdf	pdf
CAD	HL90KH_2_a1.dxf	dxf
example of use	HL90KH_PZ.pdf	pdf