

HL90Prblue-3020

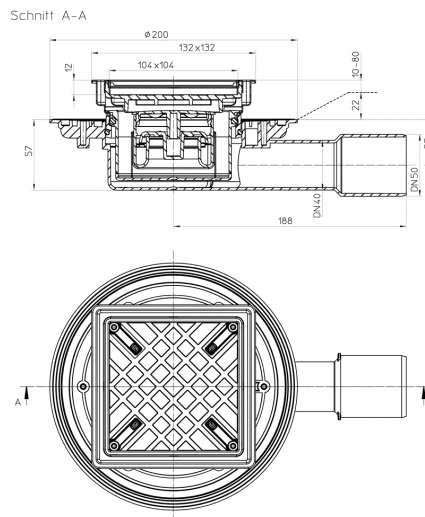
Floor drain DN40/50 horizontal with trap Primus blue and extension with tilable frame 132x132mm / 112x112mm.



Floor drain DN40/50 horizontal with trap Primus blue and extension with tilable frame 132x132mm / 112x112mm, shortable from 10-80mm. Deep, pre-installed lot cover included.



Techn. drawing



TECHNICAL DATA

material	PP, ABS, Edelstahl	installation height	57mm
dimension	DN40/50	grate frame	10-80mm/132x132mm
capacity	10mm-0,45l/s, 20mm-0,50l/s	grate	Edelstahl 112x112 (104x104X12)

weight	0,765	load class	K3 - 300kg
EAN	9003076050529	inlet	
		standards	EN 1253

PACKAGING DATA

carton

unit	1 [pcs.]
weight	1,059 [kg]
EAN/pack.	9003076050529
height/width/depth	175/292/392 [mm]
volume	0,0200312 [m ³]

single use pallet

unit	72 [pcs.]
weight	86,5 [kg]
EAN/pack.	
height/width/depth	1900/800/1200 [mm]
volume	1,824 [m ³]

DOWNLOADS

Foto Print	HL90Prblue_3020_pr.tif	max.
Foto Web	HL90Prblue_3020_B.jpg	640x480/300dpi
Techn. drawing	HL90Prblue-3020_1_a.pdf	pdf
CAD	HL90Prblue-3020_2_a1.dxf	dxf
example of use	HL90Prblue_3020_PZ.pdf	pdf