

HL98

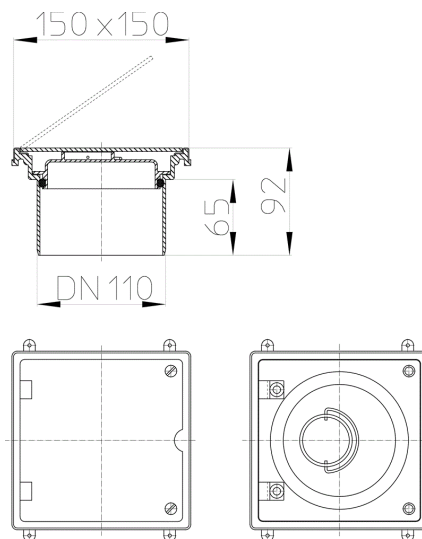
rodding eye DN110



rodding eye DN110 for floor or wall installation to a plastic coupling with stainless steel cover 150 x 150 mm



Techn. drawing



TECHNICAL DATA

material	PP/Edelstahl V2A	installation height	
dimension	DN110	grate frame	
capacity		grate	
weight	0,838	load class	L 15 - max. 1,5 t

EAN

9003076701988

inlet

standards

MAIN DATA

spare parts



HL098.1E

quick release fastener



HL098.2E

screws (2 pcs.)

Alternatives



HL98SML

rodding eye DN110 SML

DOWNLOADS

Foto Print	HL98_pr.tif	max.
Foto Web	HL98_B.jpg	640x480/300dpi
Foto Parts List	HL98_gr.jpg	150x150/72dpi
Techn. drawing	HL98_a.pdf	pdf
CAD	HL98_2_a.dxf	dxf