

Art. GAVE GATE VALVE TYPE 735-740

DN 50 – DN 600 PN 10/16



Field of application

- Underground and aboveground installation
- Chamber installation
- Installation in plants

Versions

- Standard version as described
- With hand wheel
- With telescopic extension spindle
- Prepared for electric actuator
- With electric actuator
- With position indicator

Corrosion protection

- Inside and outside Epoxy coating min. 250 µm
- According to GSK quality specifications

Tests and approvals

- Testing and registration by DVGW guarantees superior product quality and external monitoring which also takes hygienic aspects into consideration
- Final inspection test acc. to EN 12266
- EPDM rubber in accordance with EN681 and approved acc. to KTW, W270, WRAS, ACS
- Epoxy coating approved acc. to KTW, WRAS, W270, ACS



Product characteristics and benefits

- Resilient seated acc. to EN 1171 (Min. strength torque (MST) category 3) and EN 1074-2
- With flange ends on both sides acc. to EN 1092-2
- Face-to-face length acc. to EN 558 basic series 14 (F4) and 15 (F5)
- Simple construction and low weight
- Low operating torque
- With plastic sliding guides on the wedge
- Simple handling
- Almost maintenance-free
- Sealing on spindle with 3 O-rings

Potable water application 01

- Body: Ductile cast iron EN-GJS-400-15 (GGG-40)
- Bonnet: Ductile cast iron EN-GJS-400-15 (GGG-40)
- Wedge: Ductile cast iron EN-GJS-400-15 (GGG-40) all around EPDM vulcanized
- Bonnet bolts: Stainless steel A2 EN ISO 3506
- Stem: Stainless steel 1.4021
- Stem nut: Brass CW 614 N

Waste water application 02

- Body: Ductile cast iron EN-GJS-400-15 (GGG-40)
- Bonnet: Ductile cast iron EN-GJS-400-15 (GGG-40)
- Wedge: Ductile cast iron EN-GJS-400-15 (GGG-40) all around NBR vulcanized
- Bonnet bolts: Stainless steel A2 EN ISO 3506
- Stem: Stainless steel 1.4021
- Stem nut: Brass CW 614 N

Waste water reinforced application 03

- Body: Ductile cast iron EN-GJS-400-15 (GGG-40)
- Bonnet: Ductile cast iron EN-GJS-400-15 (GGG-40)
- Wedge: Ductile cast iron EN-GJS-400-15 (GGG-40) all around NBR vulcanized
- Bonnet bolts: Stainless steel A2 EN ISO 3506
- Stem: Stainless steel 1.4401 or 1.4571
- Stem nut: Bronze

Corrosion protection - reinforced version

- Inside and outside Epoxy coating min. 300 µm
- According to GSK quality specifications

Order code

GATE VALVE TYPE , DN , PN ,

Type
735 (F4)
(DN50-600)
740 (F5)
(DN50-500)

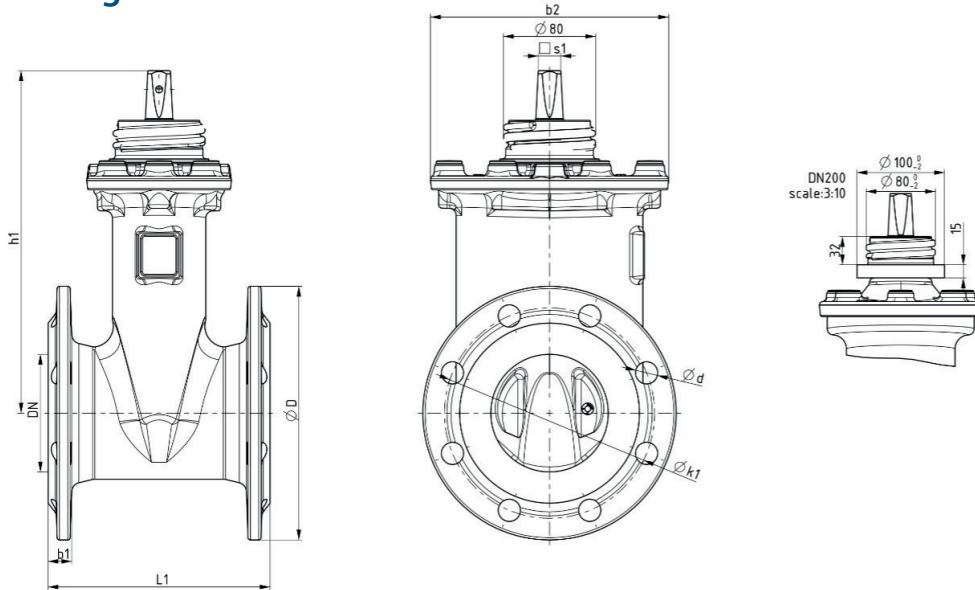
Nominal size
DN 50 - DN 600

Pressure rating
10
16

Potable water application **01**
Waste water application **02**
Waste water reinforced application **03**

Sample: gate valve DN 250 PN 10, face-to-face length F5 (serie 15) for potable water
GATE VALVE TYPE 740 DN 250, PN 10, 01

Technical drawing



DN	50	65	80	100	125	150	200	250	300	350	400	500	600	
D [mm]	165	185	200	220	250	285	340	400	455	520	580	715	840	
L1 serie 14 [mm]	150	170	180	190	200	210	230	250	270	290	310	350	390	
L1 serie 15 [mm]	250	270	280	300	325	350	400	450	500	550	600	700	/	
b1 [mm]	19	19	19	19	19	19	20	22	24.5	26.5	28	31	36	
b2 [mm]	151	165	172	204	248	278	362	430	485	585	585	730	860	
d2 PN10/PN16 [mm]	19	19	19	19	19	23	23	23/28	23/28	23/28	28/31	28/34	31/37	
H [mm]	210	235	265	293	343	380	465	573	675	820	820	1040	1240	
k1 PN10 [mm]	125	145	160	180	210	240	295	350	400	460	515	620	725	
k1 PN16 [mm]	125	145	160	180	210	240	295	355	410	470	525	650	770	
s1 [mm]	14	17	17	19	19	19	24	27	27	32	32	32	32	
D1 [mm]	200	250	250	300	300	300	400	500	500	600	600	800	800	
n - No. of bolts PN10 / PN16	4	4	8	8	8	8	8/12	12	12	16	16	20	20	
Turns ON / OFF	10	13	16	20	25	30	40	42	50	37	37	48	60	
MOT acc. to EN 1074-2 [Nm]	50	65	80	100	125	150	200	250	300	350	400	500	600	
Max. torque for full tightness [Nm] / Min. actuator power [Nm]	Dp = 16 bar	30	30	35	40	65	65	120	140	220	280	280	320	430
		Dp = 10 bar	30	30	35	40	60	60	110	130	200	250	250	310
Weight approx. serie 14 [kg]	9.00	11.20	13.80	16.60	24.00	31.00	57.00	93,20	134,1	212.00	226.00	438.00	637.00	
Weight approx. serie 15 [kg]	9.50	11.90	14.80	18.20	27.00	35.00	64.00	104,50	146,50	228.00	243.00	509.00	/	

Max operating conditions

DN	PN	Max. operating pressure [bar]	Max. operating temperature for neutral liquids [°C]
50 ... 600	16	16	60

Production test acc. to EN 12266

Test pressure shell:	Test pressure seat:
• with air up to DN 200 - Rate A	• with air up to DN 200 - Rate A
• with water DN 250 - DN 600 - Rate A [bar]	• with water DN 250 - DN 600 - Rate A [bar]
24	17,6