

## LAUFEN PRO

### Bowl washbasin

#### DIMENSIONS

Length	550 mm
Width	380 mm
Height	115 mm

#### COLOUR AND FINISH

■ 716 Black Matt

#### OPTIONS

112 - without tap hole, without overflow



Bowl position : Central

Material : Vitreous china

Taphole configuration : No tapholes

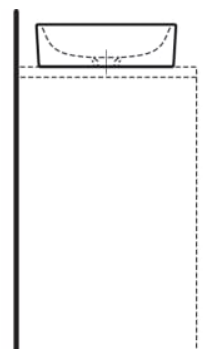
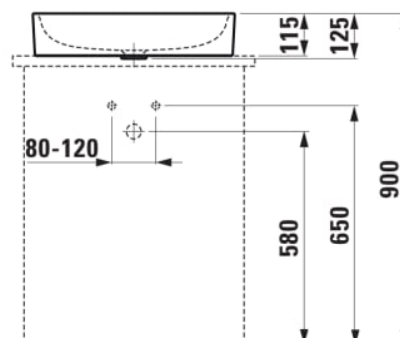
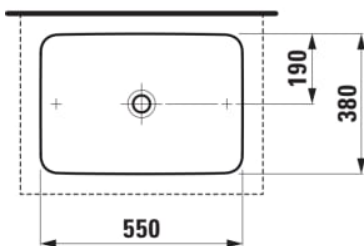
Installation type : Bowl / On countertop

Net weight (kg) : 11

Internal Shape : Rectangular

Shape : Rectangular

#### TECHNICAL DRAWINGS



COMPATIBLE WITH



Modular 800, countertop  
65 mm (.260 white matt),  
with centre cut-out, 2  
drawers

**H404551112...1**



Drawer element 800, 2  
drawers, with center cut-  
out, 12 mm top

**H404311112...1**



Drawer element 1000, 2  
drawers, with center cut-  
out, 12 mm top

**H404321112...1**



Drawer element 1200, 2  
drawers, with center cut-  
out, 12 mm top

**H404331112...1**



## LAUFEN PRO

LAUFEN pro is a comprehensive bathroom range, which offers the ideal solution for every spatial situation and requirement and also reflects the building values of the current generation. Industrial design is the modern answer to the once revolutionary idea that everyone has a right to enjoy beautiful forms. Good design is now no longer a right reserved for the most affluent customers. Modern methods of industrial production and designers such as Peter Wirz of Vetica, who put optimum manufacturing feasibility at the forefront of their creative processes, make such sanitary ware ranges as LAUFEN pro possible. This does not just benefit the designer, more importantly, it also benefits the customer.

