

Milwaukee®

Nothing but **HEAVY DUTY**.®



M18 BTP

Original instructions
Originalbetriebsanleitung
Notice originale
Istruzioni originali
Manual original
Manual original
Oorspronkelijke
gebruiksaanwijzing
Original brugsanvisning
Original bruksanvisning
Bruksanvisning i original

Alkuperäiset ohjeet
Πρωτότυπο οδηγίων χρήσης
Orijinal işletme talimatı
Původním návodem k používání
Původný návod na použití
Instrukcją oryginalną
Eredeti használati utasítás
Izvirna navodila
Originalne pogonske upute
Instrukcijām oriģinālvalodā
Originalni instrukcija

Algupärane kasutusjuhend
Оригинальное руководство
по эксплуатации
Οριγiνaλno pъководство за
експлоатация
Instrucțiuni de folosire originale
Оригинален прирачник за
работа
Оригiнал iнструкції з
експлуатації
التعليمات الأصلية

Technical Data, Safety Instructions, Specified Conditions of Use, EC-Declaration of Conformity, Mains connection, Maintenance, Symbols	Please read and save these instructions!	English	10
Technische Daten, Sicherheitshinweise, Bestimmungsgemäße Verwendung, CE-Konformitätserklärung, Netzanschluss, Wartung, Symbole	Bitte lesen und aufbewahren!	Deutsch	14
Caractéristiques techniques, Instructions de sécurité, Utilisation conforme aux prescriptions, Déclaration CE de Conformité, Branchement secteur, Entretien, Symboles	A lire et à conserver soigneusement	Français	18
Dati tecnici, Norme di sicurezza, Utilizzo conforme, Dichiarazione di Conformità CE, Collegamento alla rete, Manutenzione, Simboli	Si prega di leggere e conservare le istruzioni!	Italiano	22
Datos técnicos, Instrucciones de seguridad, Aplicación de acuerdo a la finalidad, Declaración de Conformidad CE, Conexión eléctrica, Mantenimiento, Símbolos	Lea y conserve estas instrucciones por favor!	Español	26
Características técnicas, Instruções de segurança, Utilização autorizada, Declaração de Conformidade CE, Ligação à rede, Manutenção, Símbolo	Por favor leia e conserve em seu poder!	Português	30
Technische gegevens, Veiligheidsadviezen, Voorgeschreven gebruik van het systeem, EC-Konformiteitsverklaring, Net aansluiting, Onderhoud, Symbolen	Lees en let goed op deze adviezen!	Nederlands	34
Tekniske data, Sikkerhedshenvisninger, Tiltænk formål, CE-Konformitetserklæring, Netttilslutning, Vedligeholdelse, Symboler	Vær venlig at læse og opbevare!	Dansk	38
Tekniske data, Spesielle sikkerhetshenvisninger, Formålsmessig bruk, CE-Samsvarserklæring, Netttilkopling, Vedlikehold, Symboler	Vennligst les og oppbevar!	Norsk	42
Tekniska data, Säkerhetsutrustning, Använd maskinen Enligt anvisningarna, CE-Försäkran, Nätnanslutning, Skötsel, Symboler	Läs igenom och spara!	Svenska	46
Tekniset arvot, Turvallisuusohjeet, Tarkoituksenmukainen käyttö, Todistus CE-standardinmukaisuudesta, Verkkoliitäntä, Huolto, Symbolit	Lue ja säilytä!	Suomi	50
Τεχνικά στοιχεία, Ειδικές υποδείξεις ασφαλείας, Χρήση σύμφωνα με το σκοπό προοριζομένου, Δήλωση πιστότητας ΕΚ, Σύνδεση στο Ηλεκτρικό Δίκτυο, Συντήρηση, Σύμβολο.	Παρακαλούμε να τις διαβάσετε και να τις φυλάξετε!	Ελληνικά	54
Teknik veriler, Güvenliğiniz için talimatlar, Kullanım, CE uygunluk beyanice, Şebeke bağlantısı, Bakım, Semboller	Lütfen okuyun ve saklayın	Türkçe	58
Technická data, Speciální bezpečnostní upozornění, Oblast využití, CE - prohlášení o shodě, Připojení na síť, Údržba, Symboly	Po přečtení uschovejte	Česky	62
Technické údaje, Špeciálne bezpečnostné pokyny, Použitie podľa a predpisov, CE-Vyhľadanie konformity, Sieťová prípojka, Údržba, Symboly	Prosím prečítať a uschovať!	Slovensky	66
Dane techniczne, Specjalne zalecenia dotyczace bezpieczenstwa, Uzytkowanie zgodnie z przeznaczeniem, Swiadectwo zgodnosci ce, Podlaczenie do sieci, Utrzymanie, Symbole	Należy uważnie przeczytać i zachować do wglądu!	Polski	70
Műszaki adatok, Különleges biztonsági tudnivalók, Rendeltetésszerű használat, Ce-azonosítási nyilatkozat, Hálózati csatlakoztatás, Karbantartás, Szimbólumok	Olvassa el és őrizze meg	Magyar	74
Tehnični podatki, Specialni varnostni napotki, Uporaba v skladu z namembnostjo, CE-izjava o konformnosti, Omrežni priključek, Vzdrževanje, Simboli	Prosimo preberite in shranite!	Slovensko	78
Tehnički podaci, Specijalne sigurnosne upute, Propisna upotreba, CE-Izjava konformnosti, Priključak na mrežu, Održavanje, Simboli	Molimo pročitati i sačuvati	Hrvatski	82
Tehniske dati, Speciālie drošības noteikumi, Noteikumiem atbilstošs izmantojums, Atbilstība CE normām, Tikla pieslēgums, Apkope, Simboli	Lūdzu, izlasīt un uzglabāt!	Latviski	86
Techniniai duomenys, Ypatingos saugumo nuorodos, Naudojimas pagal paskirti, CE Atitikties pareiškimas, Elektros tinklo jungtis, Techninis aptarnavimas, Simboliai	Prašome perskaityti ir neišmesti!	Lietuviškai	90
Tehnilised andmed, Spetsiaalsed turvajuhised, Kasutamine vastavalt otstarbele, EU Vastavusavaldus, Vorku ühendamine, Hooldus, Sümbolid	Palun lugege läbi ja hoidke alal!	Eesti	94
Технические данные, Указания по безопасности, Использование, Декларация о соответствии стандартам ЕС, Подключение к электросети, Обслуживание, Символы	Пожалуйста прочтите и сохраните эту инструкцию.	Русский	98
Технически данни, Специални указания за безопасност, Използване по предназначение, CE - Декларация за съответствие, Връзка с Електричество, Поддръжка, Символи	Моля прочетете и запазете!	Български	103
Date tehnice, Instrucțiuni de securitate, Condiții de utilizare specifice, Declarație de conformitate, Alimentare de la rețea, Intreținere, Simboluri	Va rugăm citiți și păstrați aceste instrucțiuni	Română	107
Технички податоци, Упатства за употреба, Специфицирани услови на употреба, ЕУ- декларација за Сообразност, Напојување од мрежата, Одржување, Символи	Ве молиме прочитајте го и чувајте го ова упатство!	Македонски	111
Технічні характеристики, Вказівки З Техніки Безпеки, Використання за призначенням, Сертифікат Відповідності Вимогам ЄС, Підключення до мережі, Обслуговування, Символи цю інструкцію.	Прочитайте та збережіть цю інструкцію.	Українська	115

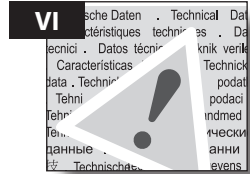
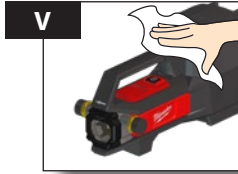
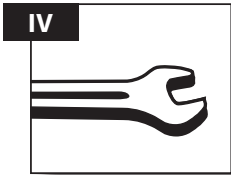
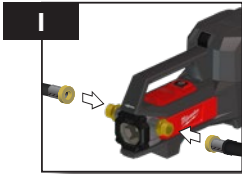


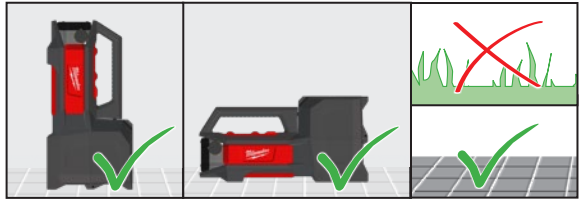
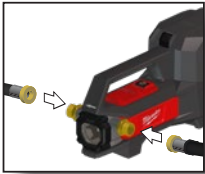
البيانات الفنية. تعليمات السلامة. شروط الاستخدام المحددة. توصيل الموصلات الرئيسية إعلان المطابقة - الاتحاد الأوروبي. الصيانة. الرموز

يرجى قراءة وحفظ هذه التعليمات!

العربية 122







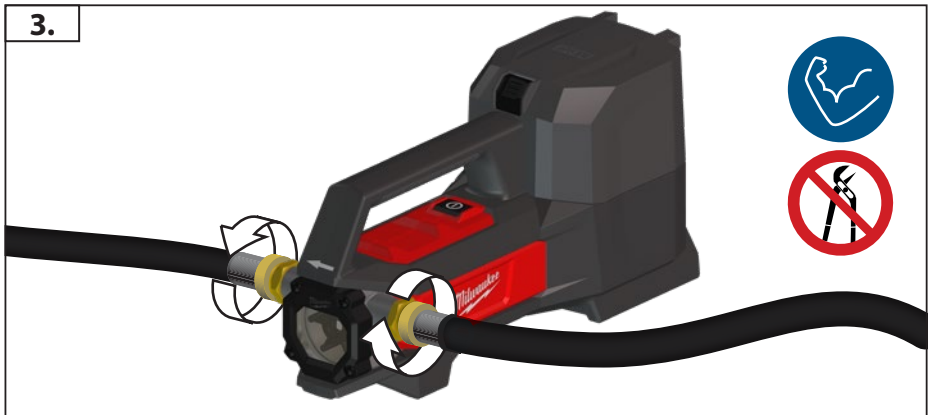
1.

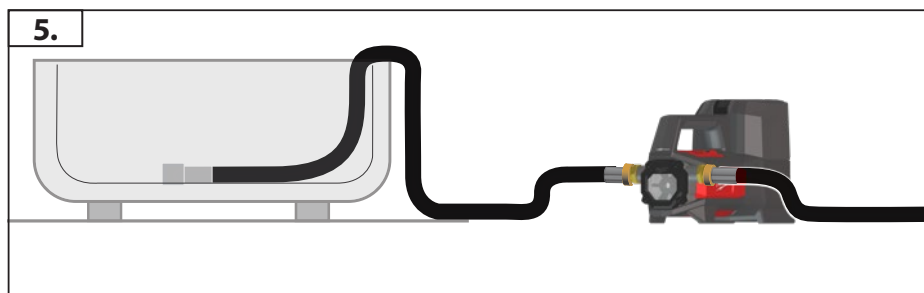
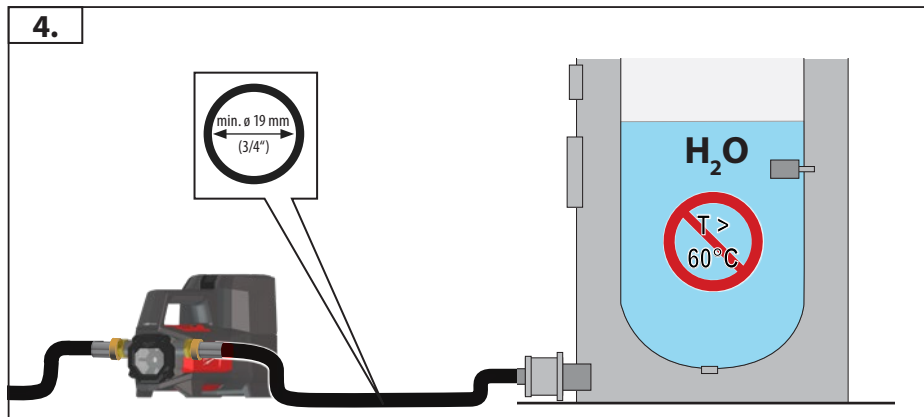
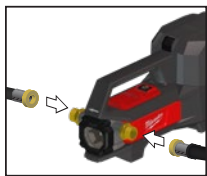


2.



3.



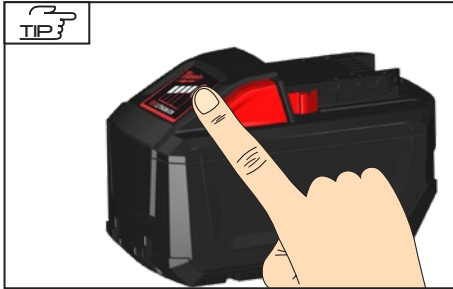


Not included in standard equipment.
Im Lieferumfang nicht enthalten.
Ces pièces ne font pas partie de la livraison.
on incluso nella dotazione standard.
Não incluído no equipamento normal.
Wordt niet meegeleverd.

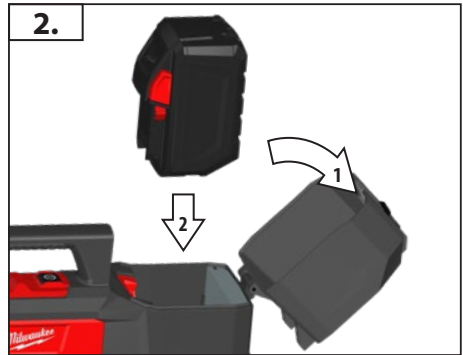
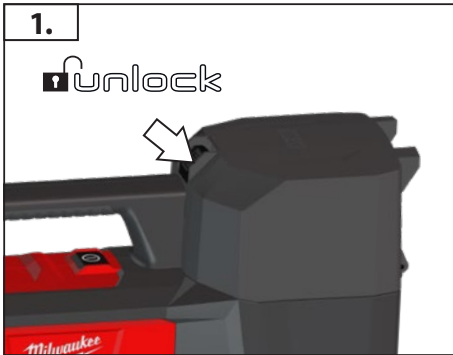
Ikke inkluderet i leveringsomfanget.
Inngår ikke i leveransen.
Ingår ej i leveransomfanget.
Ei sisälly vakiovarustukseen.
Δεν συμπεριλαμβάνεται
Teslimat kapsamında değildir.
V dodávce neobsaženo.
Neobsahuje štandardná výbava.
Nie stanowi wyposażenia standardowego
Nem tartozéka a készüléknek.

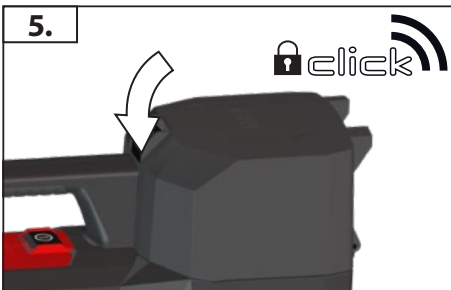
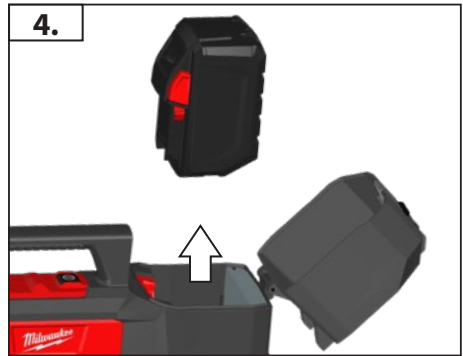
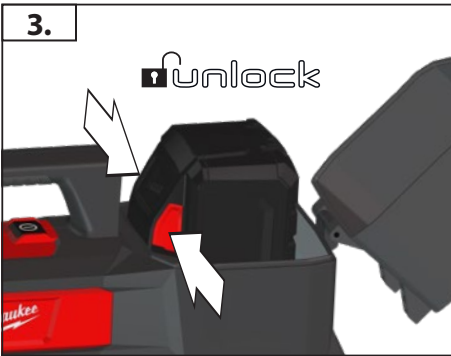
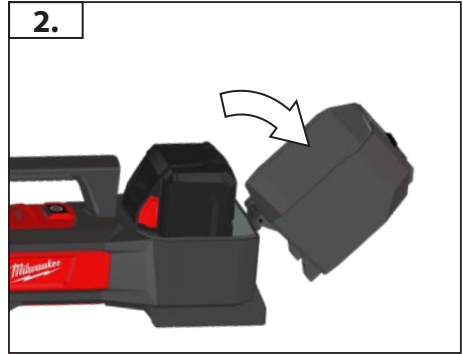
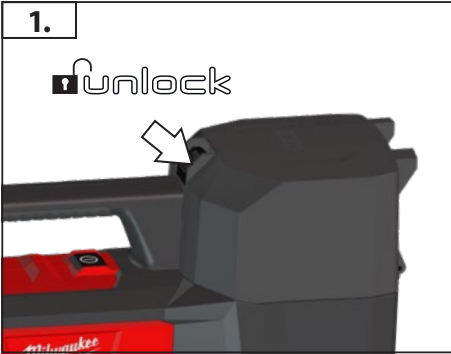
Ni v obsegu dobave.
U opsegu isporuke nije sadržano.
Komplektācija nav ietverts.
Nejeina j komplektācijā.
Ei kuulu tarne komplekti.
Не входит в объем поставки
Не е включено в обема на доставката.
Ne este inclus în echipamentul standard
Не е включено во стандардна опрема
Не входит в объем поставчання.

ليس مدرجًا كمعدة قياسية



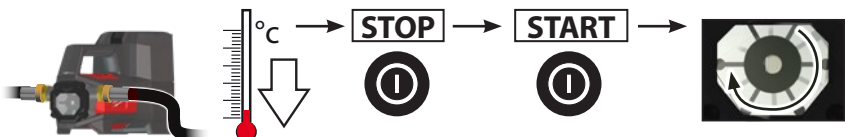
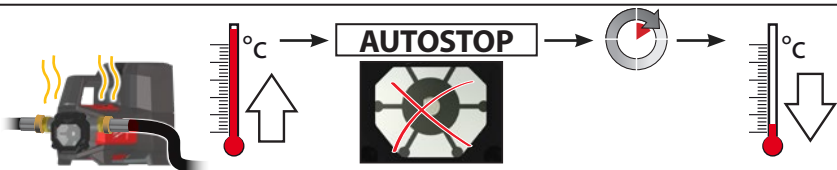
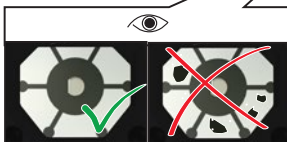
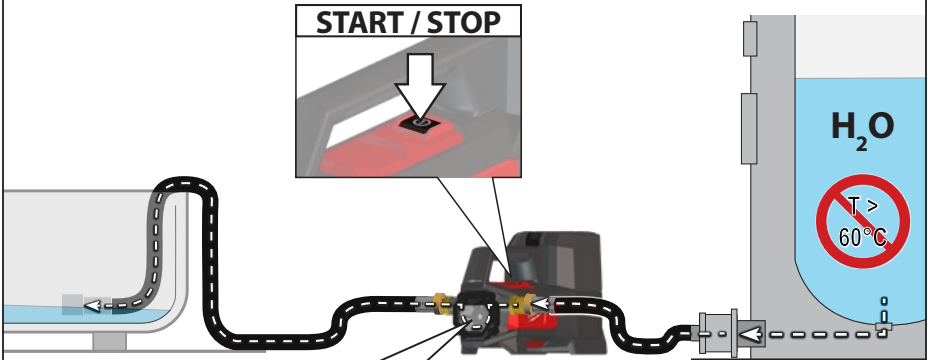
78-100 %		
55-77 %		
33-54 %		
10-32 %		
<10 %		

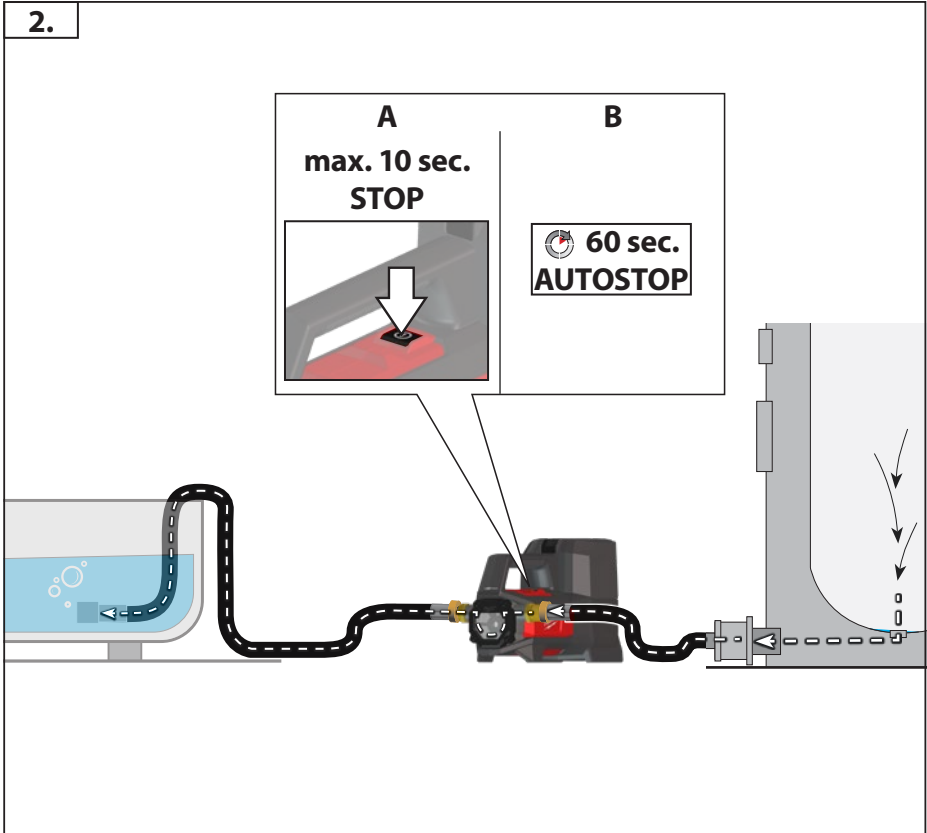


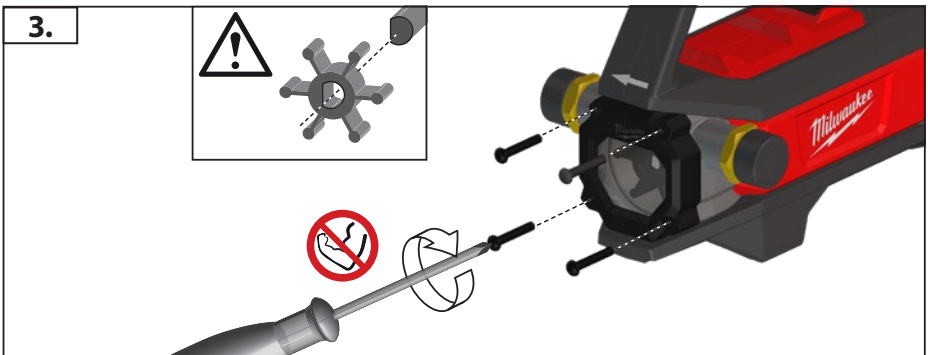
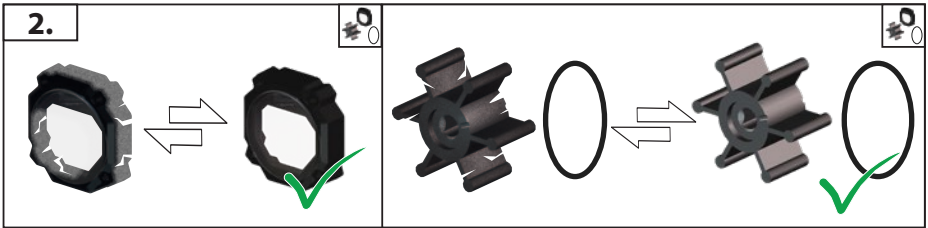
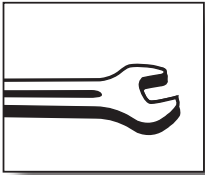


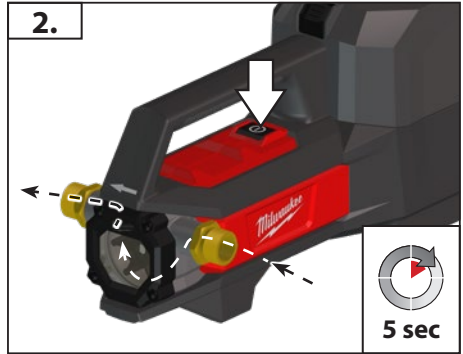
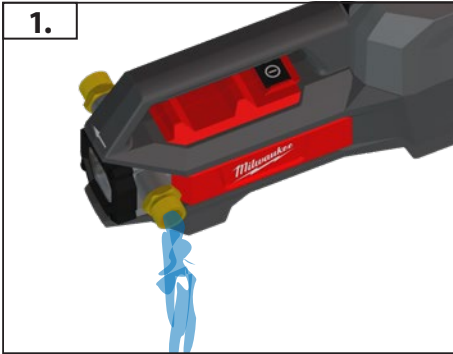


1.

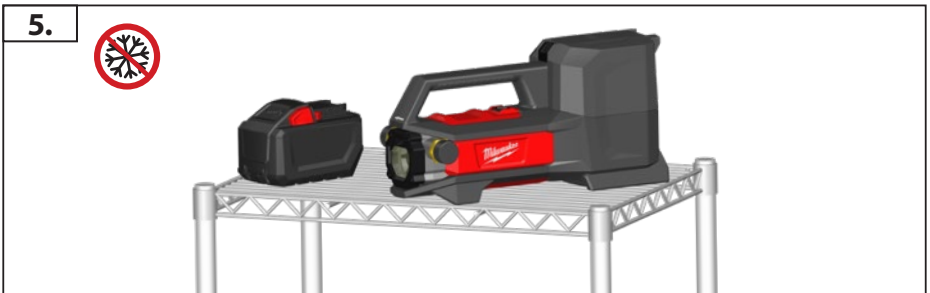
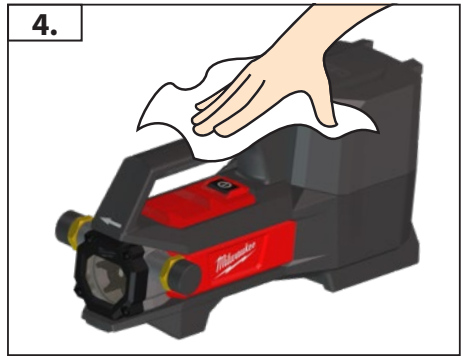
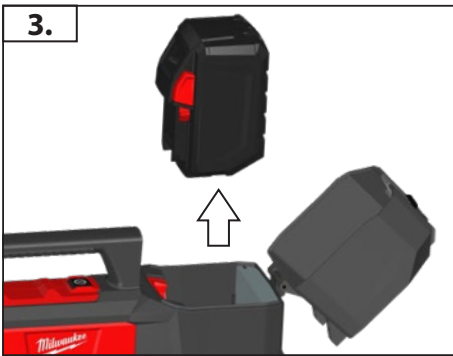








V



TECHNICAL DATA Compact Transfer Pump	M18 BTP
Production code	4742 30 01 000001-999999
Battery voltage	18 V
Protection class	IPX4
Flow rate max.	30,3 l/min
Head height max.	23 m
Lift height max.	5,5 m
Water temperature max.	60 °C
Air temperature max.	40 °C
Pump fitting	13 mm (1/2") NPT male to 19 mm (3/4") BSPT male
(Hose)	19 mm (3/4") BSPT female
Continuous runtime max.	1 h
Weight without battery	3,4 kg
Weight according EPTA-Procedure 01/2014 (Li-Ion 2,0 Ah ... 12,0 Ah)	4,0 kg..., 5,1 kg
Recommended battery types	M18B...M18HB
Recommended charger	M12-18...; M1418C6



GB

⚠ WARNING Read all safety warnings, instructions, illustrations and specifications provided with this power tool.

Failure to follow all instructions listed below may result in electric shock, fire and/or serious injury.

Save all warnings and instructions for future reference.

⚠ SAFETY INSTRUCTIONS FOR PUMPS

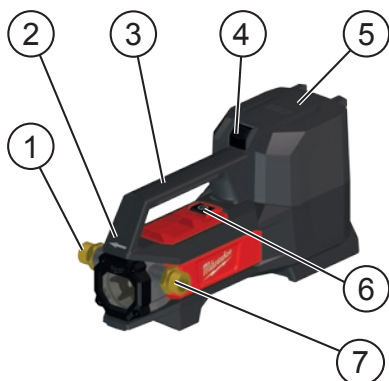
- Do not place pump under water or in wet areas. Place pump in dry locations only.
- Caution! Risk of electric shock Do NOT connect conduit to pump.
- Do not pump flammable or explosive fluids such as gasoline, fuel oil, kerosene, etc. Do not use the device in rooms with a potentially explosive atmosphere.
- Do not pump water with a temperature over 60 °C (140 °F). Do not pump sand, particulate, or large debris. Damage to the pump will occur.
- Do not allow pump to run dry for more than 10 seconds. Turn off pump quickly when job is complete. Always remove battery pack before attempting to install or service the pump.
- Do not allow this pump to operate unattended. Failure to follow this warning could result in personal injury and/or death.
- Always remove battery pack before attempting to install or service the pump. Never handle pump with wet hands or when standing on a wet or damp surface or in water. Fatal electrical shock could occur.
- Secure the discharge hose before starting the pump. An unsecured discharge hose may whip. Personal injury and/or death could result.
- Do not use the pump if the switch does not turn it on and off. Any pump that cannot be controlled with the switch is dangerous and must be repaired.

- Do not operate pump in explosive atmospheres, such as in the presence of flammable liquids, gases, or dust. Motors create sparks which will ignite the dust of fumes.
- Dress properly. Do not wear loose clothing or jewellery. Keep your hair, clothing and gloves away from moving parts. Wear protective hair covering to contain long hair. Loose clothes, jewelry, or long hair could be caught in moving parts.
- Do not overreach. Keep proper footing and balance at all times. Proper footing and balance enables better control in unexpected situations.

This appliance is not intended for use by persons (including children) with reduced physical, sensory or mental capabilities, or lack of experience and knowledge, unless they have been given supervision or instruction concerning use of the appliance by a person responsible for their safety. Children should be supervised to ensure that they do not play with the appliance.

Children shall not play with the appliance.

Cleaning and user maintenance shall not be made by children without supervision.



- | | |
|-------------------------------|-----------------------|
| ① Outlet | ⑤ Battery compartment |
| ② Direction of flow indicator | ⑥ On/Off button |
| ③ Handle | ⑦ Inlet |
| ④ Battery compartment button | |

ADDITIONAL SAFETY AND WORKING INSTRUCTIONS

- Not for potable water or other potable liquids.
- Always remove battery pack from the pump before making any adjustments, changing accessories, or storing appliance. Such preventive safety measures reduce the risk of starting the appliance accidentally.
- Keep handles and grasping surfaces dry, clean and free from oil and grease. Slippery handles and grasping surface do not allow for safe handling and control of the tool in unexpected situations.
- Keep bystanders, children, and visitors away while operating pump. Distractions will result in mistakes.
- Stay alert, watch what you are doing and use common sense when operating this pump. Do not attempt to operate this pump while you are tired or under the influence of drugs, alcohol or medication. A moment of inattention may result in serious personal injury.
- Use safety equipment. Always wear eye protection. Dust mask, non-skid safety shoes and hard hat must be used for appropriate conditions.
- Do not let familiarity gained from frequent use of tools allow you to become complacent and ignore tool safety principles. A careless action can cause severe injury within a fraction of a second.
- Do not pump water from a creek, pond, or source where foreign objects may be sucked into the pump. Solids may enter the inlet hose.
- Keep work area clean and well lit. Cluttered or dark areas invite accidents.
- Indoor use only.
- Use hoses with 19 mm (3/4") BSPT brass female fitting.
- A heavy duty hose should be used for the inlet hose to prevent the hose from collapsing. For best results, use a short length, large diameter hose, such as a 183 cm (6') long, 19 mm (3/4") inner diameter garden hose. Longer or thinner hoses may reduce performance and flow rate.
- A regular garden hose may be used as an outlet hose.

SPECIFIED CONDITIONS OF USE

This pump is designed for applications such as emptying water heaters, tanks, etc. The pump is not waterproof or weatherproof and is not intended to be used outdoors or inside showers, saunas or other potentially wet locations.

This pump has been evaluated for use with clear water only. It is not designated to handle salt water, brine, laundry discharge, or any other application which may contain caustic chemicals and/or foreign material. This pump is not suitable for use with aquatic life.

Do not use this product in any other way as stated for normal use.

BATTERIES

Battery packs which have not been used for some time should be recharged before use.

Temperatures in excess of 50°C (122°F) reduce the performance of the battery pack. Avoid extended exposure to heat or sunshine (risk of overheating).

The contacts of chargers and battery packs must be kept clean.

For an optimum life-time, the battery packs have to be fully charged, after use. Battery packs which have not been used for some time should be recharged before use.

To obtain the longest possible battery life remove the battery pack from the charger once it is fully charged.

For battery pack storage longer than 30 days: Store the battery pack where the temperature is below 27°C and away from moisture. Store the battery packs in a 30% - 50% charged condition, Every six months of storage, charge the pack as normal.

Do not dispose of used battery packs in the household refuse or by burning them. Milwaukee Distributors offer to retrieve old batteries to protect our environment.

Do not store the battery pack together with metal objects (short circuit risk).

Use only System M18 chargers for charging System M18 battery packs. Do not use battery packs from other systems.

Never break open battery packs and chargers and store only in dry rooms. Keep dry at all times.

Battery acid may leak from damaged batteries under extreme load or extreme temperatures. In case of contact with battery acid wash it off immediately with soap and water. In case of eye contact rinse thoroughly for at least 10 minutes and immediately seek medical attention.

No metal parts must be allowed to enter the battery section of the charger (short circuit risk).

BATTERY PACK PROTECTION

In extremely high torque, binding, stalling and short circuit situations that cause high current draw, the tool will stop for about 2 seconds and then the tool will turn OFF.

To reset, release the trigger.

Under extreme circumstances, the internal temperature of the battery could become too high. If this happens, the battery will shut down.

Place the battery on the charger to charge and reset it.



TRANSPORTING LITHIUM BATTERIES

Lithium-ion batteries are subject to the Dangerous Goods Legislation requirements.

Transportation of those batteries has to be done in accordance with local, national and international provisions and regulations.

The user can transport the batteries by road without further requirements.

Commercial transport of Lithium-Ion batteries by third parties is subject to Dangerous Goods regulations. Transport preparation and transport are exclusively to be carried out by appropriately trained persons and the process has to be accompanied by corresponding experts.

When transporting batteries:

Ensure that battery contact terminals are protected and insulated to prevent short circuit. Ensure that battery pack is secured against movement within packaging. Do not transport batteries that are cracked or leak. Check with forwarding company for further advice



MAINTENANCE

Maintain pump and accessories. Check for misalignment or binding of moving parts, breakage of parts and any other condition that may affect the pump's operation. If damaged, have the pump repaired before use. Accidents can be caused by a poorly maintained pump.

- Remove the battery pack before starting any work on the appliance. Release all pressure within the system before servicing any component.
- Drain all liquids from system before servicing.
- Periodically inspect pump and system components, checking for weak and/or worn hoses. Check impeller for wear or blockage. Ensure all connections are secure.
- When servicing a pump, use only identical replacement parts. Follow instructions in the Maintenance section of this manual. Use of unauthorized parts or failure to follow maintenance instructions may create a risk of electrical shock or injury and may void the warranty.
- Do not modify or attempt to repair the pump or the battery pack except as indicated in the instructions for use and care.
- Cleaning and user maintenance shall not be made by children without supervision.

Only use the appliance if it is in perfect condition.

Repairs should only be carried out by qualified persons using original spare parts otherwise this may result in considerable danger to the user.

Clean tool and guarding system with dry cloth.

Certain cleaning agents and solvents are harmful to plastics and other insulated parts.

Regular maintenance and cleaning provide for a long service life and safe handling.

Compliance with the specified service work and service intervals is mandatory.

Only carry out maintenance work described in the operating instructions.

Use only Milwaukee accessories and Milwaukee spare parts. Should components need to be replaced which have not been described, please contact one of our Milwaukee service agents (see our list of guarantee/service addresses).

If needed, an exploded view of the tool can be ordered. Please state the Article No. as well as the machine type printed on the label and order the drawing at your local service agents or directly at: Techtronic Industries GmbH, Max-Eyth-Straße 10, 71364 Winnenden, Germany.

TROUBLESHOOTING

PROBLEM	CAUSE	CORRECTION
Pump will not run.	Impeller blockage.	See „Impeller Replacement/ Clearing“
Flow rate is too low.	Inlet/Outlet line is clogged or damaged. Inlet connection is not airtight. Impeller cover is not secured tightly. Impeller worn out.	Replace Inlet/ Outlet line. Check lines for blockages, kinks or bends. Clear blockages. Tighten inlet connection, adding teflon tape or a gasket if necessary. Hand tighten four (4) cover screws. See „Impeller Replacement/ Clearing“
Pump shutdown.	Dry pump shutdown. Locked impeller. Battery installed when pump turned on.	Correct situation, then turn tool off, then back on to reset.
Over temperature shutdown	Blocked outlet line. Outlet line too high. Outlet line too long. Pump ON for too long.	Allow pump to cool. Correct situation, then turn tool off, then back on to reset.

SYMBOLS



CAUTION! WARNING! DANGER!



Please read the instructions carefully before starting the machine.



Wear ear protectors!



Always wear goggles when using the machine.



Not for flammable or caustic chemical Liquids.



Max. Temperature of the Liquid to be transferred must not exceed 60 °C (140 °F).



Caution! Not too strong and not tighten with pliers.



Not frost-resistant



Max. continuous runtime 1 h.



Keep bystanders, children, and visitors away while operating pump.



This tool is only suitable for indoor use. Never expose tool to rain.



Remove the battery pack before starting any work on the appliance.



Spare Part - Not included in standard equipment, available as a spare part.



Do not dispose electric tools, batteries/rechargeable batteries together with household waste material. Electric tools and batteries that have reached the end of their life must be collected separately and returned to an environmentally compatible recycling facility. Check with your local authority or retailer for recycling advice and collection point.

V

Voltage



Direct Current



European Conformity Mark



Ukraine Conformity Mark



EurAsian Conformity Mark



TECHNISCHE DATEN Kompakte Förderpumpe	M18 BTP
Produktionsnummer	4742 30 01 000001-999999
Spannung Wechselakku	18 V
Schutzklasse	IPX4
Fördermenge max.	30,3 l/min
Förderhöhe max.	23 m
Ansaughöhe max.	5,5 m
Wassertemperatur max.	60 °C
Lufttemperatur max.	40 °C
Pumpenanschlussstück (Schlauch)	13 mm (1/2") NPT Außengewinde auf 19 mm (3/4") BSPT Außengewinde 19 mm (3/4") BSPT Innengewinde
Dauerbetriebszeit max.	1 h
Gewicht ohne Wechselakku	3,4 kg
Gewicht nach EPTA-Prozedur 01/2014 (Li-Ion 2,0 Ah ... 12,0 Ah)	4,0 kg..., 5,1 kg
Empfohlene Akku Typen	M18B...M18HB
Empfohlene Ladegeräte	M12-18...; M1418C6



D

⚠️ WARNUNG Lesen Sie alle Sicherheitshinweise, Anweisungen, Bilderungen und technischen Daten, mit denen dieses Elektrowerkzeug versehen ist. Versäumnisse bei der Einhaltung der nachfolgenden Anweisungen können elektrischen Schlag, Brand und/oder schwere Verletzungen verursachen. **Bewahren Sie alle Sicherheitshinweise und Anweisungen für die Zukunft auf.**

⚠️ SICHERHEITSHINWEISE FÜR PUMPEN

- Stellen Sie die Pumpe nicht ins Wasser oder in nasse Bereiche. Stellen Sie die Pumpe nur an trockenen Standorten auf.
- Vorsicht! Stromschlaggefahr. Schließen Sie keine Leitungen an die Pumpe an.
- Pumpen Sie keine entflammaren oder explosionsgefährdeten Flüssigkeiten wie Benzin, Heizöl, Kerosin etc. Das Gerät nicht in Räumen mit explosionsfähiger Atmosphäre verwenden.
- Pumpen Sie kein Wasser mit einer Temperatur von mehr als 60 °C (140 °F). Pumpen Sie keinen Sand, Partikel oder groben Schmutz. Dies führt zu einer Beschädigung der Pumpe.
- Lassen Sie die Pumpe nicht länger als 10 Sekunden trocken laufen. Schalten Sie sie umgehend aus, wenn die Aufgabe abgeschlossen ist. Entfernen Sie immer zuerst den Akku, bevor Sie die Pumpe installieren oder warten.
- Lassen Sie diese Pumpe während des Betriebs nicht unbeaufsichtigt. Ein Missachten dieser Warnung kann zu Personenschäden und/oder zum Tod führen.
- Entfernen Sie immer zuerst den Akku, bevor Sie die Pumpe installieren oder warten. Bedienen Sie die Pumpe niemals mit nassen Händen oder wenn Sie auf einem nassen oder feuchten Untergrund oder im Wasser stehen. Es kann zu einem tödlichen Stromschlag kommen.
- Sichern Sie den Abflussschlauch, bevor Sie die Pumpe in Betrieb nehmen. Ein nicht ausreichend befestigter Abflussschlauch kann sich lösen und um sich schlagen. Dies kann zu Personenschäden

und/oder zum Tod führen.

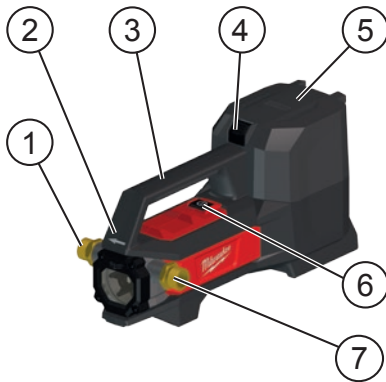
- Benutzen Sie die Pumpe nicht, wenn sie sich nicht mit dem Schalter ein- und ausschalten lässt. Eine Pumpe, die sich nicht über den Schalter steuern lässt, ist gefährlich und muss repariert werden.
- Benutzen Sie die Pumpe nicht in Gegenwart von explosiven Stoffen wie brennbaren Flüssigkeiten, Gasen oder Staub. Der Motor setzt Funken frei, die den Staub oder die Dämpfe entzünden können.
- Tragen Sie geeignete Kleidung. Tragen Sie keine weite Kleidung oder Schmuck. Halten Sie Haare, Kleidung und Handschuhe fern von sich bewegenden Teilen. Tragen Sie bei langen Haaren ein Haarnetz. Lockere Kleidung, Schmuck oder lange Haare können sich in beweglichen Teilen verfangen.
- Lehnen Sie sich nicht zu weit hinaus und halten Sie jederzeit das Gleichgewicht. Ein sicher und gerade ausgerichtet aufgestelltes Gerät kann in unerwarteten Situationen besser kontrolliert werden.

Dieses Gerät ist nicht geeignet für die Verwendung durch Personen (einschließlich Kindern) mit verminderten körperlichen, sensorischen oder geistigen Fähigkeiten oder mangelnder Erfahrung bzw. Fachkenntnis, es sei denn sie werden von einer für deren Sicherheit verantwortlichen Person entsprechend instruiert oder beaufsichtigt. Kinder sind darüber hinaus zu beaufsichtigen, um sicherzustellen, dass sie nicht mit dem Gerät spielen.

Kinder dürfen nicht mit dem Gerät spielen.

Reinigung und Benutzer-Wartung dürfen nicht durch Kinder ohne Beaufsichtigung durchgeführt werden.

Deutsch



- | | |
|-----------------------------|-------------------|
| ① Auslauf | ⑤ Akkufach |
| ② Anzeige für Fließrichtung | ⑥ An/Aus-Schalter |
| ③ Werkzeughandgriff | ⑦ Zulauf |
| ④ Taste für Akkufach | |

WEITERE SICHERHEITS- UND ARBEITSHINWEISE

- Nicht für Trinkwasser oder andere Getränke geeignet.
- Entfernen Sie stets den Akku aus der Pumpe, bevor Sie Anpassungen vornehmen, Zubehör austauschen oder das Gerät lagern. Sicherheitsmaßnahmen wie diese senken das Risiko dafür, dass das Gerät unabsichtlich gestartet wird.
- Halten Sie die Griffe und Halterungen trocken, sauber und frei von Öl und Schmierstoffen. Rutschige Griffe und Halterungen ermöglichen keine sichere Handhabung und Steuerung des Geräts in unerwarteten Situationen.
- Halten Sie umstehende Personen, Kinder und Besucher von der Pumpe fern, während Sie sie betreiben. Ablenkungen können Fehler verursachen.
- Seien Sie aufmerksam, achten Sie auf das, was Sie tun, und handeln Sie vernünftig, während Sie die Pumpe betreiben. Betreiben Sie die Pumpe nicht, wenn Sie müde sind oder unter dem Einfluss von Drogen, Alkohol oder Medikamenten stehen. Ein Moment der Unaufmerksamkeit kann zu schweren Personenschäden führen.
- Tragen Sie Sicherheitsausrüstung. Tragen Sie immer einen Augenschutz. Tragen Sie unter entsprechenden Bedingungen auch eine Atemschutzmaske, rutschfeste Sicherheitsschuhe und einen Schutzhelm.
- Lassen Sie sich nicht durch die aus einer vorherigen Verwendung des Geräts gewonnene Kenntnis dazu verleiten, unachtsam zu werden und Sicherheitsprinzipien zu vernachlässigen. Fahrlässiges Handeln kann im Bruchteil einer Sekunde zu schweren Personenschäden führen.
- Pumpen Sie kein Wasser aus Bächen, Teichen oder anderen Quellen, in denen Fremdobjekte in die Pumpe gesaugt werden können. Feststoffe könnten in den Zulaufschlauch gelangen.
- Sorgen Sie für einen sauberen Arbeitsplatz und gute Beleuchtung. In unordentlichen oder dunklen Bereichen kommt es häufig zu Unfällen.
- Nur in Innenräumen verwenden.
- Verwenden Sie Schläuche mit einer BSPT Gewindemutter aus Messing (19 mm bzw. 3/4").

- Für den Zulauf sollte ein verstärkter Schlauch verwendet werden, der der Last standhalten kann. Verwenden Sie für beste Ergebnisse einen kurzen Schlauch mit großem Durchmesser, z. B. einen 183 cm (6') langen Gartenschlauch mit 19 mm (3/4") Innendurchmesser. Längere oder dünnere Schläuche können die Leistung und Durchflussrate senken.
- Als Auslaufschlauch kann ein gewöhnlicher Gartenschlauch verwendet werden.

BESTIMMUNGSGEMÄSSE VERWENDUNG

Diese Pumpe wurde konzipiert, um Wassererhitzer, -tanks etc. zu leeren. Die Pumpe ist nicht wasser- oder wetterbeständig und nicht für die Verwendung in Außenbereichen oder in Duschen, Saunas oder anderen möglicherweise nassen Umgebungen geeignet.

Diese Pumpe wurde nur für die Verwendung mit sauberem Wasser geprüft. Sie ist nicht für den Gebrauch mit Salzwasser, Laugen, Abwasser oder sonstige Anwendungen, in denen sie mit ätzenden Chemikalien und/oder Fremdstoffen in Kontakt kommen könnte, geeignet. Diese Pumpe ist nicht für die Verwendung in Gewässern mit Wasserlebewesen geeignet.

Dieses Gerät darf nur wie angegeben bestimmungsgemäß verwendet werden.

AKKUS

Längere Zeit nicht benutzte Wechselakkus vor Gebrauch nachladen. Eine Temperatur über 50°C vermindert die Leistung des Wechselakkus. Längere Erwärmung durch Sonne oder Heizung vermeiden.

Die Anschlusskontakte an Ladegerät und Wechselakku sauber halten.

Für eine optimale Lebensdauer müssen nach dem Gebrauch die Akkus voll geladen werden. Längere Zeit nicht benutzte Wechselakkus vor Gebrauch nachladen.

Für eine möglichst lange Lebensdauer sollten die Akkus nach dem Aufladen aus dem Ladegerät entfernt werden.

Bei Lagerung des Akkus länger als 30 Tage: Akku bei ca. 27°C und trocken lagern. Akku bei ca. 30%-50% des Ladezustandes lagern, Akku alle 6 Monate erneut aufladen.

Verbrauchte Wechselakkus nicht ins Feuer oder in den Hausmüll werfen. Milwaukee bietet eine umweltgerechte Alt-Wechselakku-Entsorgung an; bitte fragen Sie Ihren Fachhändler.

Wechselakkus nicht zusammen mit Metallgegenständen aufbewahren (Kurzschlussgefahr).

Wechselakkus des Systems M18 nur mit Ladegeräten des Systems M18 laden. Keine Akkus aus anderen Systemen laden.

Wechselakkus und Ladegeräte nicht öffnen und nur in trockenen Räumen lagern. Vor Nässe schützen.

Unter extremer Belastung oder extremer Temperatur kann aus beschädigten Wechselakkus Batterieflüssigkeit auslaufen. Bei Berührung mit Batterieflüssigkeit sofort mit Wasser und Seife abwaschen. Bei Augenkontakt sofort mindestens 10 Minuten gründlich spülen und unverzüglich einen Arzt aufsuchen.

In den Wechselakku-Einschubschacht der Ladegeräte dürfen keine Metallteile gelangen (Kurzschlussgefahr).



AKKÜBERLASTSCHUTZ

Bei Überlastung des Akkus durch sehr hohen Stromverbrauch, z.B. extrem hohe Drehmomente, Verkleben des Einsatzwerkzeuges, plötzlichem Stopp oder Kurzschluss, stoppt das Elektrowerkzeug 2 Sekunden lang und schaltet sich selbstständig ab.

Zum Wiedereinschalten, den Schalterdrücker loslassen und dann wieder einschalten.

Unter extremen Belastungen kann sich der Akku stark erhitzen. In diesem Fall schaltet der Akku ab.

Den Akku dann in das Ladegerät stecken um ihn wieder aufzuladen und zu aktivieren.

TRANSPORT VON LITHIUM-IONEN-AKKUS

Lithium-Ionen-Akkus fallen unter die gesetzlichen Bestimmungen zum Gefahrguttransport.

Der Transport dieser Akkus muss unter Einhaltung der lokalen, nationalen und internationalen Vorschriften und Bestimmungen erfolgen.

Verbraucher dürfen diese Akkus ohne Weiteres auf der Straße transportieren.

Der kommerzielle Transport von Lithium-Ionen-Akkus durch Speditionsunternehmen unterliegt den Bestimmungen des Gefahrguttransports. Die Versandvorbereitungen und der Transport dürfen ausschließlich von entsprechend geschulten Personen durchgeführt werden. Der gesamte Prozess muss fachmännisch begleitet werden.

Folgende Punkte sind beim Transport von Akkus zu beachten:

Stellen Sie sicher, dass die Kontakte geschützt und isoliert sind, um Kurzschlüsse zu vermeiden. Achten Sie darauf, dass der Akkupack innerhalb der Verpackung nicht verrutschen kann. Beschädigte oder auslaufende Akkus dürfen nicht transportiert werden. Wenn Sie sich für weitere Hinweise an Ihr Speditionsunternehmen.

WARTUNG

Halten Sie die Pumpe und das Zubehör instand. Prüfen Sie die beweglichen Teile auf Ausrichtung, Leichtgängigkeit und Gleichlauf; prüfen Sie alle Teile auf festen Sitz, Bruchstellen und andere Schäden, die die Funktion der Pumpe beeinträchtigen könnten. Reparieren Sie die Pumpe vor der Verwendung, wenn sie beschädigt ist. Eine schlecht gewartete Pumpe kann Unfälle verursachen.

- Vor allen Arbeiten am Gerät den Wechselakku herausnehmen. Lassen Sie den Druck vollständig aus dem System entweichen, bevor Sie eine Komponente warten.
- Lassen Sie vor der Wartung alle Flüssigkeiten aus dem System ablaufen.
- Prüfen Sie die Pumpe und die Systemkomponenten regelmäßig und achten Sie dabei auf beschädigte und/oder abgenutzte Schläuche. Prüfen Sie das Laufrad auf Abnutzung oder Blockaden. Überprüfen Sie die Sicherheit aller Anschlüsse.
- Verwenden Sie zur Wartung der Pumpe nur Originalersatzteile. Befolgen Sie die Anweisungen im Abschnitt „Instandhaltung“ in diesem Handbuch. Die Verwendung von nicht autorisierten Teilen oder das Nichtbefolgen der Instandhaltungsanweisungen erhöht das Risiko für Stromschläge oder Personenschäden und kann zum Erlöschen der Garantieansprüche führen.
- Nehmen Sie keine Veränderungen an der Pumpe oder dem Akku vor und versuchen Sie nicht, diese zu reparieren, außer in Übereinstimmung mit den Bedienungs- und Pflegeanweisungen.
- Reinigung und Benutzer-Wartung dürfen nicht durch Kinder ohne Beaufsichtigung durchgeführt werden.

Gerät nur in unbeschädigtem Zustand in Betrieb nehmen.

Reparaturen dürfen nur von einer Elektrofachkraft ausgeführt werden, indem Originalersatzteile verwendet werden; anderenfalls können Unfälle für den Benutzer entstehen.

Reinigen Sie Gerät und Schutzeinrichtung mit einem trockenen Tuch.

Manche Reinigungsmittel beschädigen Kunststoff oder andere isolierte Teile.

Regelmäßige Wartung und Reinigung sorgen für eine lange Lebensdauer und sichere Handhabung.

Wartung und Wartungsintervalle zwingend einhalten.

Nur Wartungsarbeiten ausführen, die in der Betriebsanleitung beschrieben sind.

Nur Milwaukee Zubehör und Milwaukee Ersatzteile verwenden. Bauteile, deren Austausch nicht beschrieben wurde, bei einer Milwaukee Kundendienststelle auswechseln lassen (Broschüre Garantie/Kundendienstadressen beachten).

Bei Bedarf kann eine Explosionszeichnung des Gerätes unter Angabe der Maschinen Type und der sechsstelligen Nummer auf dem Leistungsschild bei Ihrer Kundendienststelle oder direkt bei Techtronic Industries GmbH, Max-Eyth-Straße 10, 71364 Winnenden, Germany angefordert werden.



D

FEHLERBEHEBUNG

PROBLEM	URSACHE	BEHEBUNG
Die Pumpe läuft nicht.	Das Laufrad blockiert.	Siehe „Austausch/Reinigung des Laufrads“
Die Durchflussrate ist zu niedrig.	Die Zulauf-/Auslaufleitung ist verstopft oder beschädigt. Der Zulaufanschluss ist nicht luftdicht. Die Laufradabdeckung ist nicht fest gesichert. Das Laufrad ist abgenutzt.	Tauschen Sie die Zulauf-/Auslaufleitung aus. Prüfen Sie die Leitungen auf Verstopfungen und Knickstellen. Entfernen Sie Verstopfungen. Ziehen Sie den Zulaufanschluss fest und verwenden Sie bei Bedarf Teflonband oder eine Dichtung. Ziehen Sie die vier (4) Abdeckschrauben manuell fest. Siehe „Austausch/Reinigung des Laufrads“
Pumpe schaltet sich ab.	Die Pumpe ist trockengelaufen. Blockiertes Laufrad. Der Akku wurde bei eingeschalteter Pumpe eingesetzt.	Korrigieren Sie die Situation und schalten Sie dann das Gerät aus und wieder ein, um es zurückzusetzen.
Übertemperaturabschaltung	Verstopfte Auslaufleitung. Die Auslaufleitung zu hoch. Die Auslaufleitung zu lang. Die Pumpe ist zu lange EINGESCHALTET.	Lassen Sie die Pumpe abkühlen. Korrigieren Sie die Situation und schalten Sie dann das Gerät aus und wieder ein, um es zurückzusetzen.

SYMBOLE



ACHTUNG! WARNUNG! GEFAHR!



Bitte lesen Sie die Gebrauchsanweisung vor Inbetriebnahme sorgfältig durch.



Gehörschutz tragen!



Beim Arbeiten mit der Maschine stets Schutzbrille tragen.



Nicht für entflammare oder ätzende chemische Flüssigkeiten geeignet.



Max. Temperatur der zu pumpenden Flüssigkeit darf 60 °C (140 °F) nicht übersteigen.



Achtung! Nicht zu fest anziehen und keine Zange verwenden.



Nicht frostsicher



Max. Dauerbetriebszeit 1 Std.



Halten Sie umstehende Personen, Kinder und Besucher von der Pumpe fern, während Sie sie betreiben.



Gerät ist nur zur Verwendung in Räumen geeignet, Gerät nicht dem Regen aussetzen.



Vor allen Arbeiten am Gerät den Wechselakku herausnehmen.



Ersatzteil- Im Lieferumfang nicht enthalten, Ergänzung aus dem Bereich Ersatzteile.



Elektrogeräte, Batterien/Akkus dürfen nicht zusammen mit dem Hausmüll entsorgt werden. Elektrische Geräte und Akkus sind getrennt zu sammeln und zur umweltgerechten Entsorgung bei einem Verwertungsbetrieb abzugeben. Erkundigen Sie sich bei den örtlichen Behörden oder bei Ihrem Fachhändler nach Recyclinghöfen und Sammelstellen.



Spannung



Gleichstrom



Europäisches Konformitätszeichen



Ukrainisches Konformitätszeichen



Euroasiatisches Konformitätszeichen



D

CARACTÉRISTIQUES TECHNIQUES Pompe de transfert compacte	M18 BTP
Numéro de série	4742 30 01 000001-999999
Tension accu interchangeable	18 V
Classe de protection	IPX4
Débit max.	30,3 l/min
Hauteur de tête max.	23 m
Hauteur de levage max.	5,5 m
Température eau max.	60 °C
Température de l'air max.	40 °C
Raccord pompe	13 mm (1/2") NPT mâle à 19 mm (3/4") BSPT mâle
(Tuyau)	19 mm (3/4") BSPT femelle
Fonctionnement continu max.	1 h
Poids sans accu	3,4 kg
Poids suivant EPTA-Procédure 01/2014 (Li-Ion 2,0 Ah ... 12,0 Ah)	4,0 kg..., 5,1 kg
Batteries conseillées	M18B...M18HB
Chargeurs conseillés	M12-18...; M1418C6



⚠ AVERTISSEMENT Lisez toutes les consignes de sécurité, instructions, présentations et données que vous recevez avec l'appareil. Le fait de ne pas suivre toutes les instructions données ci-dessous peut provoquer un choc électrique, un incendie et/ou une blessure grave.

Bien garder tous les avertissements et instructions.

⚠ CONSIGNES DE SÉCURITÉ POUR TOUTES LES POMPES

- Ne pas placer la pompe sous l'eau ou dans des zones humides. Placer la pompe dans des endroits secs uniquement.
- Attention ! Risque de décharge électrique! NE PAS raccorder la canalisation à la pompe.
- Ne pas pomper des fluides inflammables ou explosifs tels que de l'essence, du mazout, du kérosène etc. Ne pas utiliser l'appareil dans une atmosphère explosible.
- Ne pas pomper de l'eau à une température supérieure à 60°C (140°F). Ne pas pomper de sable, de particules ou de gros débris. Cela peut endommager la pompe.
- Ne pas laisser la pompe fonctionner à sec pendant plus de 10 secondes. Fermer rapidement la pompe lorsque le travail est terminé. Toujours retirer le pack accu avant d'installer ou réparer la pompe.
- Ne pas laisser cette pompe fonctionner sans surveillance. Le non-respect de cet avertissement pourrait entraîner des dommages corporels et/ou la mort.
- Toujours retirer le pack accu avant d'installer ou réparer la pompe. Ne jamais manier la pompe avec les mains humides ou en se tenant sur une surface humide ou mouillée ou dans l'eau. Cela peut entraîner un choc électrique mortel.
- Arrimer le tuyau de refoulement avant de démarrer la pompe. Un tuyau de refoulement non arrimé peut se retourner. Cela peut entraîner des dommages corporels et/ou la mort.
- N'utilisez pas la pompe si l'interrupteur ne permet pas de l'allumer et de l'éteindre. Toute pompe ne pouvant être contrôlée avec

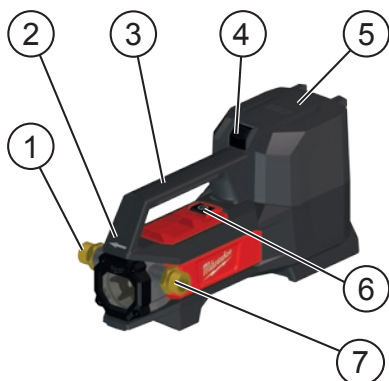
l'interrupteur est dangereuse et doit être réparée.

- N'utilisez pas la pompe dans des atmosphères explosives en présence de liquides ou de gaz inflammables ou de poussière. Les moteurs génèrent des étincelles qui vont enflammer la poussière ou les fumées.
- Habillez-vous correctement. Ne portez pas de vêtements amples ni de bijoux. Tenez vos cheveux, vos vêtements et vos gants à distance des pièces en mouvement. Portez un filet à cheveux pour retenir les cheveux longs. Les vêtements amples, bijoux ou cheveux longs pourraient être happés dans les parties en mouvement.
- Ne pas se pencher trop et garder toujours l'équilibre. Garder un appui et un bon équilibre permet un meilleur contrôle dans des situations imprévues.

Cet appareil n'est pas destiné à être utilisé par des personnes (y compris les enfants) avec des capacités physiques, sensorielles ou mentales réduites, ou manque d'expérience et/ou de connaissances spécifiques, à moins qu'elles n'aient reçu une instruction concernant l'utilisation de l'appareil et elles ne soient surveillées par une personne responsable de leur sécurité. Les enfants doivent être surveillés pour s'assurer qu'ils ne jouent pas avec l'appareil.

Les enfants ne doivent pas jouer avec l'appareil.

Le nettoyage et la maintenance ne doivent pas être effectués par des enfants sans surveillance.



- | | |
|--------------------------------------|----------------------------|
| ① Sortie | ④ Bouton compartiment accu |
| ② Direction de l'indicateur de débit | ⑤ Compartiment accu |
| ③ Poignée | ⑥ Bouton On/Off |
| | ⑦ Entrée |

AVIS COMPLÉMENTAIRES DE SÉCURITÉ ET DE TRAVAIL

- Ne convient pas à l'eau potable ou aux autres liquides potables.
- Toujours retirer le pack accu avant de faire des ajustements, de changer des accessoires ou de ranger l'appareil. De telles mesures préventives réduisent les risques de démarrer l'appareil accidentellement.
- Garder les poignées et surfaces de préhension sèches, propres et exemptes d'huile et de graisse. Des poignées et surfaces de préhension glissantes ne permettent pas de manier l'outil en sécurité ni de le contrôler dans des situations imprévues.
- Éloignez les passants, enfants et visiteurs pendant l'utilisation de la pompe. Toute distraction peut entraîner des erreurs.
- Restez vigilant(e), concentrez-vous sur ce que vous faites et faites preuve de bon sens lors de l'utilisation de la pompe. N'essayez pas d'utiliser la pompe si vous êtes fatigué(e) ou sous l'influence de drogue, d'alcool ou de médicaments. Un moment d'inattention pourrait entraîner des blessures graves.
- Utilisez un équipement de sécurité. Portez toujours des lunettes de protection. Utilisez un masque anti-poussière, des chaussures de sécurité à semelles antidérapantes et un casque pour des conditions appropriées.
- Ne laissez pas l'habitude du fait de l'utilisation fréquente des outils vous gagner et vous pousser à faire fi des principes de sécurité. Une action négligente peut entraîner des blessures graves en une fraction de seconde.
- Ne pas pomper de l'eau d'une crique, d'un étang ou d'une source où des corps étrangers peuvent être aspirés dans la pompe. Des solides peuvent s'introduire dans le tuyau d'entrée.
- Gardez la zone de travail propre et bien éclairée. Travailler dans des endroits sombres ou encombrés peut provoquer des accidents.
- Utilisation à l'intérieur uniquement.
- Utiliser des tuyaux avec raccord femelle laiton 19 mm (3/4") BSPT.
- Un tuyau ultra-résistant devrait être utilisé pour le tuyau d'entrée

pour éviter que celui-ci ne s'écroute. Pour de meilleurs résultats, utiliser un tuyau de courte longueur et de large diamètre comme un tuyau de jardin de 183 cm (6') de long, d'un diamètre intérieur de 19 mm (3/4"). Des tuyaux plus longs ou plus minces peut réduire la performance et le débit.

- Un tuyau de jardin classique peut être utilisé comme tuyau de sortie.

UTILISATION CONFORME AUX PRESCRIPTIONS

Cette pompe est destinée à des utilisations telles que vider des chauffe-eau, des cuves etc. La pompe n'est ni étanche ni résistante aux intempéries et n'est pas destinée à être utilisée à l'extérieur ou à l'intérieur dans des douches, saunas et autres lieux potentiellement humides.

Cette pompe a été évaluée pour l'utilisation avec de l'eau claire uniquement. Elle ne convient pas à l'utilisation avec de l'eau salée, de la saumure, de la lessive ou pour d'autres applications qui peuvent contenir des produits chimiques caustiques et/ou des corps étrangers. Cette pompe ne convient pas à un usage en milieu aquatique.

Comme déjà indiqué, cette machine ne est conçue que pour être utilisée conformément aux prescriptions.

ACCUS

Recharger les accus avant utilisation après une longue période de non utilisation.

Une température supérieure à 50°C amoindrit la capacité des accus. Éviter les expositions prolongées au soleil ou au chauffage.

Tenir propres les contacts des accus et des chargeurs.

Pour une durée de vie optimale, les accus doivent être chargés à fond après l'utilisation. Recharger les accus avant utilisation après une longue période de non utilisation.

Pour une plus longue durée de vie, enlever les batteries du chargeur de batterie quand celles-ci seront chargées.

En cas d'entreposage de la batterie pour plus de 30 jours: Entreposer la batterie à 27°C environ dans un endroit sec. Entreposer la batterie avec une charge d'environ 30% - 50%. Recharger la batterie tous les 6 mois.

Ne pas jeter les accus interchangeables usés au feu ou avec les déchets ménagers. Milwaukee offre un système d'évacuation écologique des accus usés.

Ne pas conserver les accus interchangeables avec des objets métalliques (risque de court-circuit)

Ne charger les accus interchangeables du système M18 qu'avec le chargeur d'accus du système M18. Ne pas charger des accus d'autres systèmes.

Ne pas ouvrir les accus interchangeables et les chargeurs et ne les stocker que dans des locaux secs. Les protéger contre l'humidité.

En cas de conditions ou températures extrêmes, du liquide caustique peut s'échapper d'un accu interchangeable endommagé. En cas de contact avec le liquide caustique de la batterie, laver immédiatement avec de l'eau et du savon. En cas de contact avec les yeux, rincer soigneusement avec de l'eau et consulter immédiatement un médecin.

Aucune pièce métallique ne doit pénétrer dans le logement d'accu du chargeur (risque de court-circuit)



PROTECTION DE L'ACCU CONTRE LES SURCHARGES

Au cas de surcharge de la batterie à cause d'une consommation d'énergie électrique très élevée, par ex. en présence de valeurs de couple très élevées, blocage de l'outil, arrêt soudain ou court-circuit, l'outil électrique s'arrêtera pour 2 secondes et ensuite se désactivera automatiquement.

Pour le ré-enclencher, relâcher le poussoir de l'interrupteur, puis enclencher à nouveau l'appareil.

Il se peut que l'accu s'échauffe fortement s'il est soumis à des sollicitations extrêmes. Dans ce cas, il se déconnecte.

Mettre alors l'accu en place dans le chargeur pour le recharger et l'activer.

TRANSPORT DE BATTERIES LITHIUM-ION

Les batteries lithium-ion sont soumises aux dispositions législatives concernant le transport de produits dangereux.

Le transport de ces batteries devra s'effectuer dans le respect des dispositions et des normes locales, nationales et internationales.

Les utilisateurs peuvent transporter ces batteries sans restrictions.

Le transport commercial de batteries lithium-ion est réglé par les dispositions concernant le transport de produits dangereux. La préparation au transport et le transport devront être effectués uniquement par du personnel formé de façon adéquate. Tout le procédé devra être géré d'une manière professionnelle.

Durant le transport de batteries il faut respecter les consignes suivantes :

S'assurer que les contacts soient protégés et isolés en vue d'éviter des courts-circuits. S'assurer que le groupe de batteries ne puisse pas se déplacer à l'intérieur de son emballage. Des batteries endommagées ou des batteries perdant du liquide ne devront pas être transportées. Pour tout renseignement complémentaire veuillez vous adresser à votre transporteur professionnel.

ENTRETIEN

Entretenir la pompe et les accessoires. Vérifier l'alignement et la fixation des pièces mobiles, l'absence de pièces brisées et toute autre condition susceptible d'affecter son fonctionnement. Si elle est endommagée, faites-la réparer avant toute utilisation. Des accidents peuvent survenir en raison d'une pompe mal entretenue.

- Avant tous travaux sur l'appareil retirer l'accu interchangeable. Faites sortir toute la pression hors du système avant de réparer tout composant.
- Purgez tous les liquides hors du système avant réparation.
- Inspecter régulièrement la pompe et les composants du système, en vérifiant que les tuyaux ne soient pas abîmés et/ou usés. Vérifier que le rotor ne soit pas usé ou bloqué. Vérifier que tous les raccords sont sécurisés.
- Lors de réparations sur la pompe, utiliser uniquement des pièces de rechange identiques. Suivre les instructions de la section Maintenance de ce manuel. Utiliser des pièces non autorisées ou négliger les instructions de maintenance peut entraîner un risque de choc électrique ou de blessure et peut annuler la garantie.
- Ne pas modifier ou essayer de réparer la pompe ou le pack accu à moins de suivre ce qui est indiqué dans les instructions d'utilisation et d'entretien.
- Le nettoyage et la maintenance ne doivent pas être effectués par des enfants sans surveillance.

Utiliser le dispositif seulement s'il est en parfait état.

Les réparations doivent être effectuées uniquement par un électricien spécialisé et en employant des pièces détachées d'origine en vue d'éviter tout risque d'accident pour l'opérateur.

Nettoyer l'appareil et le dispositif de protection avec un chiffon sec.

Certains détergents endommagent les matériaux synthétiques ou d'autres parties isolantes.

Un entretien et un nettoyage réguliers permettent une longue vie utile et un emploi sûr.

Il est impératif de respecter les instructions et les intervalles d'entretien.

Exécutez seulement les travaux de maintenance qui sont décrits dans cette notice.

Utiliser uniquement les accessoires Milwaukee et les pièces détachées Milwaukee. Faire remplacer les composants dont le remplacement n'a pas été décrit, par un des centres de service après-vente Milwaukee (observer la brochure avec les adresses de garantie et de service après-vente).

Si besoin est, une vue éclatée de l'appareil peut être fournie.

S'adresser, en indiquant bien le numéro porté sur la plaque signalétique, à votre station de service après-vente (voir liste jointe) ou directement à Techtronic Industries GmbH, Max-Eyth-Straße 10, 71364 Winnenden, Germany.



PROBLÈME	CAUSE	CORRECTION
La pompe ne fonctionnera pas.	Blocage du rotor.	Voir « remplacer/nettoyer le rotor »
Le débit est trop faible.	La ligne d'entrée/ de sortie est bouchée ou endommagée. Le raccord d'entrée n'est pas étanche. Le capot du rotor n'est pas fermé solidement. Le rotor est usé.	Remplacer la ligne d'entrée/de sortie. Vérifier que les lignes ne soient pas bloquées, courbées ou pliées. Éliminer tout blocage. Serrer les raccords d'entrée en y ajoutant de la bande Téflon ou un joint si nécessaire. Serrer les quatre (4) vis de couvercle à la main. Voir « Remplacer/nettoyer le rotor »
Arrêt de la pompe.	Arrêt pompe sèche. Rotor verrouillé. Accu installé avec la pompe en marche.	Corriger la situation, puis éteindre l'outil, puis retourner à la phase de réinitialisation.
Arrêt température trop élevée	Ligne de sortie bloquée. Ligne de sortie trop haute. Ligne de sortie trop longue. Pompe sur ON trop longtemps.	Laisser la pompe refroidir. Corriger la situation, puis éteindre l'outil, puis retourner à la phase de réinitialisation.



ATTENTION! AVERTISSEMENT! DANGER!



Veillez lire avec soin le mode d'emploi avant la mise en service



Toujours porter une protection acoustique!



Toujours porter des lunettes protectrices en travaillant avec la machine.



Ne convient pas aux liquides inflammables ou chimiques caustiques.



La température max. du liquide à transférer ne doit pas excéder 60 °C (140 °F).



Attention ! Ne pas serrer trop fort et ne pas serrer avec une pince.



Ne résiste pas au gel



Durée de fonctionnement en continu max. 1 h.



Éloignez les passants, enfants et visiteurs pendant l'utilisation de la pompe.



Appareil à utiliser uniquement dans un local, à ne jamais l'exposer à la pluie.



Avant tous travaux sur l'appareil retirer l'accu interchangeable.



Pièce de rechange - Non incluse dans l'équipement standard, disponible en pièce de rechange.



Les dispositifs électriques, les batteries et les batteries rechargeables ne sont pas à éliminer dans les déchets ménagers. Les dispositifs électriques et les batteries sont à collecter séparément et à remettre à un centre de recyclage en vue de leur élimination dans le respect de l'environnement. S'adresser aux autorités locales ou au détaillant spécialisé en vue de connaître l'emplacement des centres de recyclage et des points de collecte.



Tension



Courant continu



Marque de conformité européenne



Marque de conformité ukrainienne



Marque de conformité d'Eurasie



Fr

DATI TECNICI Pompa da travaso compatta	M18 BTP
Numero di serie	4742 30 01 000001-999999
Tensione batteria	18 V
Classe di protezione	IPX4
Portata max.	30,3 l/min
Altezza di mandata max.	23 m
Altezza di sollevamento max.	5,5 m
Temperatura dell'acqua max.	60 °C
Temperatura dell'aria max.	40 °C
Ricordo per pompa	13 mm (1/2") NPT maschio a 19 mm (3/4") BSPT maschio
(Tubo)	19 mm (3/4") BSPT femmina
Funzionamento continuo max.	1 h
Peso senza batteria	3,4 kg
Peso secondo la procedura EPTA 01/2014 (Li-Ion 2,0 Ah ... 12,0 Ah)	4,0 kg..., 5,1 kg
Batterie consigliate	M18B...M18HB
Caricatori consigliati	M12-18...; M1418C6



⚠ AVVERTENZA Leggere tutte le avvertenze di sicurezza, le istruzioni, le illustrazioni e i dati forniti a corredo dell'apparecchio. In caso di mancata osservanza delle seguenti istruzioni vi è il pericolo di provocare una scossa elettrica, di sviluppare incendi e/o di provocare seri incidenti. **Conservare tutte le avvertenze di pericolo e le istruzioni operative per ogni esigenza futura.**

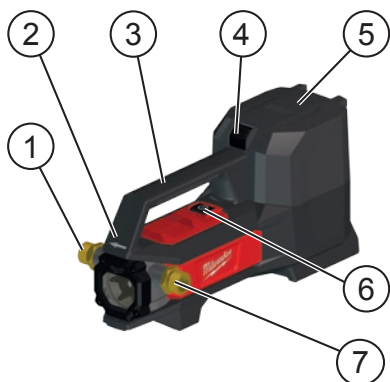
⚠ ISTRUZIONI DI SICUREZZA PER POMPE

- Non collocare la pompa sotto l'acqua o in aree umide. Collare la pompa soltanto in luoghi asciutti.
- Attenzione! Pericolo di scossa elettrica! NON collegare la condotta alla pompa.
- Non pompare liquidi infiammabili o esplosivi come benzina, olio combustibile, cherosene, ecc. Non usare l'apparecchio in ambienti con atmosfera a rischio di esplosione.
- Non pompare acqua con una temperatura superiore a 60 °C (140 °F). Non pompare sabbia, particolato o detriti di grandi dimensioni. La pompa potrebbe danneggiarsi.
- Assicurarsi che la pompa non funzioni a secco per più di 10 secondi. Spegnerla immediatamente la pompa quando il lavoro è terminato. Rimuovere sempre il pacco batteria prima di effettuare lavori di installazione e manutenzione sulla pompa.
- Non permettere che questa pompa funzioni senza supervisione. L'inosservanza di questo avvertimento potrebbe causare lesioni personali e/o la morte.
- Rimuovere sempre il pacco batteria prima di effettuare lavori di installazione e manutenzione sulla pompa. Non toccare mai la pompa con mani umide o quando ci si trova su una superficie bagnata o umida oppure in acqua. Ciò potrebbe causare scosse elettriche mortali.
- Mettere in sicurezza il tubo di scarico prima di avviare la pompa. Se il tubo di scarico non è agganciato correttamente potrebbe muoversi in maniera incontrollata. Ciò potrebbe causare lesioni personali e/o la morte.

- Non usare la pompa se non è possibile accenderla o spegnerla tramite l'interruttore. Le pompe che non possono essere controllate tramite l'interruttore sono pericolose e devono essere sostituite.
- Non utilizzare la pompa in atmosfere esplosive, ad esempio in presenza di gas e liquidi infiammabili o di polvere. I motori generano scintille che infiammano polvere o vapori.
- Indossare indumenti adatti. Non indossare indumenti larghi o gioielli. Tenere i capelli, gli indumenti e i guanti lontani dalle parti in movimento. Indossare una cuffia protettiva per contenere i capelli lunghi. Gli indumenti ampi, i gioielli o i capelli lunghi potrebbero rimanere impigliati nelle parti in movimento.
- Non sporgersi troppo e mantenere sempre l'equilibrio. Una posizione ferma e un buon equilibrio permettono un controllo migliore in caso di situazioni inaspettate.

Questo dispositivo non è adatto all'uso da parte di persone (bambini compresi) con capacità fisiche, sensoriali o mentali ridotte o con mancanza di esperienza e/o conoscenza specifica, salvo che vengano istruite e sorvegliate da una persona responsabile per la loro sicurezza. Inoltre i bambini dovranno essere sorvegliati per accertarsi che non giochino con il dispositivo.

I bambini non devono giocare con l'apparecchio. Le operazioni di pulizia e di manutenzione non devono essere effettuate dai bambini senza la supervisione di un adulto.



- | | |
|--|------------------------------|
| ① Uscita | ④ Pulsante del vano batterie |
| ② Indicatore della direzione di flusso | ⑤ Vano batterie |
| ③ Impugnatura | ⑥ Interruttore ON/OFF |
| | ⑦ Ingresso |

ULTERIORI AVVISI DI SICUREZZA E DI LAVORO

- Non adatta per l'acqua potabile o altri liquidi alimentari.
- Rimuovere sempre il pacco batterie dalla pompa prima di apportare modifiche, sostituire gli accessori o riporre l'apparecchio. Queste misure di sicurezza preventive riducono il rischio di avvio involontario dell'apparecchio.
- Mantenere le impugnature e le superfici di presa asciutte, pulite e prive di olio e grasso. Le impugnature e le superfici di presa scivolose non garantiscono un utilizzo e un controllo sicuri dell'utensile in caso di situazioni inaspettate.
- Tenere gli astanti, i bambini e i visitatori lontano dalla pompa in funzione. Le distrazioni possono dare luogo a errori.
- Durante l'utilizzo della pompa restare vigili, badare a ciò che si sta facendo e usare il buonsenso. Non azionare la pompa quando si è stanchi o sotto l'azione di droghe, alcool o farmaci. Un momento di disattenzione potrebbe causare lesioni personali gravi.
- Utilizzare i dispositivi di protezioni individuali. Indossare sempre una protezione per gli occhi. Utilizzare maschera antipolvere, scarpe di sicurezza antiscivolo e casco per creare adeguate condizioni di lavoro.
- Non permettere che la familiarità acquisita tramite l'uso frequente degli utensili faccia diventare imprudenti e trascurare i principi di sicurezza. Un'azione negligente può causare lesioni gravi in una frazione di secondo.
- Non pompare acqua da un ruscello, uno stagno o una fonte in cui la pompa può aspirare oggetti estranei. I materiali solidi potrebbero entrare nel tubo d'ingresso.
- Mantenere l'area di lavoro pulita e ben illuminata. Le aree disordinate o buie possono provocare incidenti.
- Utilizzare solo in ambienti interni.
- Utilizzare tubi con raccordo femmina in ottone BSPT da 19 mm (3/4").

- Utilizzare come tubo d'ingresso un tubo per applicazioni pesanti per evitare che si rompa. Per ottenere i risultati migliori, utilizzare un tubo corto e di diametro largo, come un tubo da giardino lungo 183 cm (6') e con un diametro interno di 19 mm (3/4"). Tubi più lunghi o più corti possono ridurre le prestazioni e la portata.
- Utilizzare un normale tubo da giardino come tubo di uscita.

UTILIZZO CONFORME

Questa pompa è progettata per applicazioni come lo svuotamento di scaldabagni, cisterne, ecc. La pompa non è impermeabile o resistente alle intemperie e non è concepita per essere utilizzata in ambienti esterni o dentro le docce, in saune o altri luoghi potenzialmente umidi.

Questa pompa è stata testata esclusivamente per l'uso con acqua pulita. Non è progettata per trattare acqua salata, acqua di mare, acque reflue o qualsiasi altra applicazione che può contenere prodotti chimici e/o sostanze estranee. Questa pompa non è adatta all'uso in presenza di forme di vita acquatiche.

Utilizzare il prodotto solo per l'uso per cui è previsto.

BATTERIE

Batterie non utilizzate per molto tempo devono essere ricaricate prima dell'uso.

A temperature superiori ai 50°C, la potenza della batteria si riduce.

Evitare di esporre l'accumulatore a surriscaldamento prolungato, dovuto ad esempio ai raggi del sole o ad un impianto di riscaldamento.

Per una ottimale vita utile è necessario ricaricare completamente le batterie dopo l'uso. Batterie non utilizzate per molto tempo devono essere ricaricate prima dell'uso.

Per una più lunga durata, rimuovere le batterie dal caricabatterie quando saranno cariche.

In caso di immagazzinaggio della batteria per più di 30 giorni: Immagazzinare la batteria a circa 27°C in ambiente asciutto. Immagazzinare la batteria con carica di circa il 30% - 50%. Ricaricare la batteria ogni 6 mesi.

Non gettare le batterie esaurite sul fuoco o nella spazzatura di casa. La Milwaukee offre infatti un servizio di recupero batterie usate.

Nel vano d'innesto per la batteria del caricatore non devono entrare parti metalliche. (pericolo di cortocircuito).

Le batterie del System M18 sono ricaricabili esclusivamente con i caricatori del System M18. Le batterie di altri sistemi non possono essere ricaricate.

Non aprire né la batteria né il caricatore e conservarli solo in luogo asciutto. Proteggerli dalla umidità.

Nel caso di batterie danneggiate da un carico eccessivo o da temperature alte, l'acido di queste potrebbe fuoriuscire. In caso di contatto con l'acido delle batterie lavarsi immediatamente con acqua e sapone. In caso di contatto con gli occhi risciacquare immediatamente con acqua per almeno 10 minuti e contattare subito un medico.

Non conservare le batterie con oggetti metallici (pericolo di cortocircuito).



I

DISPOSITIVO ANTISOVRACCARICO ACCUMULATORE

In caso di sovraccarico della batteria a causa di consumo elettrico molto elevato, ad es. per valori di coppia molto elevati, inceppamento dell'utensile ad inserto, arresto improvviso o corto circuito, l'elettrotensile si arresta per 2 secondi e si disattiva automaticamente.

Per riaccenderlo rilasciare l'interruttore e poi riaccenderlo.

Se sottoposto a carichi estremi, l'accumulatore può surriscaldarsi. In questo caso l'accumulatore si spegne.

Inserire l'accumulatore nell'apparecchio carica-batterie per ricaricarlo e attivarlo.

TRASPORTO DI BATTERIE AGLI IONI DI LITIO

Le batterie agli ioni di litio sono soggette alle disposizioni di legge sul trasporto di merce pericolosa.

Il trasporto di queste batterie deve avvenire rispettando le disposizioni e norme locali, nazionali ed internazionali.

Gli utilizzatori possono trasportare queste batterie su strada senza alcuna restrizione.

Il trasporto commerciale di batterie agli ioni di litio è regolato dalle disposizioni sul trasporto di merce pericolosa. Le preparazioni al trasporto ed il trasporto stesso devono essere svolti esclusivamente da persone idoneamente istruite. Tutto il processo deve essere gestito in maniera professionale.

Durante il trasporto di batterie occorre tenere conto di quanto segue::

Assicurarsi che i contatti siano protetti ed isolati per evitare corto circuiti. Accertarsi che il gruppo di batterie non possa spostarsi all'interno dell'imballaggio. Batterie danneggiate o batterie che perdono liquido non devono essere trasportate. Per ulteriori informazioni si prega di contattare il proprio trasportatore.

MANUTENZIONE

Eseguire la manutenzione di pompa e accessori. Verificare l'eventuale disallineamento o inceppamento dei componenti mobili, la rottura di pezzi e ogni altra condizione che possa incidere sul funzionamento della pompa. Se danneggiata, riparare la pompa prima dell'uso. Una pompa priva di una manutenzione adeguata può causare incidenti.

- Prima di iniziare togliere la batteria dall'apparecchio. Liberare tutta la pressione all'interno del sistema prima di eseguire la manutenzione di qualsiasi componente.
- Far defluire tutti i liquidi dal sistema prima di eseguire la manutenzione.
- Ispezionare periodicamente la pompa e i componenti del sistema alla ricerca di tubi deboli e/o usurati. Controllare che il girante non sia usurato e non presenti ostruzioni. Assicurarsi che tutti i collegamenti siano saldi.
- Per la manutenzione della pompa utilizzare esclusivamente pezzi di ricambio identici. Seguire le istruzioni riportate nella sezione "Manutenzione" di questo manuale. L'utilizzo di componenti non autorizzati o l'inosservanza delle seguenti istruzioni di manutenzione possono provocare scosse elettriche o lesioni e invalidare la garanzia.
- Non modificare o tentare di riparare la pompa o il pacco batterie se non come descritto nelle istruzioni per l'uso e la cura.
- Le operazioni di pulizia e di manutenzione non devono essere effettuate dai bambini senza la supervisione di un adulto.

Utilizzare il dispositivo solo se è in perfette condizioni.

Le riparazioni devono essere eseguite esclusivamente da un elettricista specializzato ed usando ricambi originali, per evitare rischi di infortunio all'operatore.

Pulire l'apparecchio ed il dispositivo di protezione con un panno asciutto.

Alcuni detersivi danneggiano materiali sintetici o altre parti isolanti.

Una regolare manutenzione e pulizia permettono una lunga vita utile ed un uso sicuro.

E' imperativo rispettare le istruzioni e gli intervalli di manutenzione.

Solo quei lavori di manutenzione che sono descritti nelle istruzioni sull'uso.

Usare solo accessori Milwaukee e pezzi di ricambio Milwaukee.

Gruppi costruttivi la cui sostituzione non è stata descritta, devono essere fatti cambiare da un punto di servizio di assistenza tecnica al cliente Milwaukee (vedi depliant garanzia/indirizzi assistenza tecnica ai clienti).

In caso di mancanza del disegno esploso, può essere richiesto al seguente indirizzo: Techtronic Industries GmbH, Max-Eyth-Straße 10, 71364 Winnenden, Germany.



RISOLUZIONE PROBLEMI

PROBLEMA	CAUSA	RIMEDIO
La pompa non funziona.	Girante ostruito.	Vedi "Sostituzione/pulizia del girante"
La portata è troppo bassa.	La linea d'ingresso/uscita è intasata o danneggiata. La connessione d'ingresso non è ermetica. La copertura del girante non è fissata correttamente. Il girante è usurato.	Sostituire la linea d'ingresso/uscita. Controllare le linee alla ricerca di ostruzioni, pieghe o strozzature. Eliminare le ostruzioni. Serrare la connessione d'ingresso, se necessario applicando del nastro in teflon o una guarnizione. Serrare a mano le quattro (4) viti della copertura. Vedi "Sostituzione/pulizia del girante"
Spegnimento della pompa.	La pompa funzionava a secco. Girante bloccato. Batteria installata quanto la pompa era accesa.	Correggere la situazione, quindi spegnere l'utensile e riaccenderlo per resettarlo.
Spegnimento per surriscaldamento	Linea di uscita bloccata. Linea di uscita troppo alta. Linea di uscita troppo lunga. La pompa è rimasta accesa per troppo tempo.	Lasciar raffreddare la pompa. Correggere la situazione, quindi spegnere l'utensile e riaccenderlo per resettarlo.

SIMBOLI

ATTENZIONE! AVVERTENZA! PERICOLO!


Leggere attentamente le istruzioni per l'uso prima di mettere in funzione l'elettroutensile.



Utilizzare le protezioni per l'udito!



Durante l'uso dell'apparecchio utilizzare sempre gli occhiali di protezione.



Non adatta a liquidi chimici infiammabili o caustici.



La temperatura massima del liquido da travasare non deve essere superiore a 60 °C (140 °F).



Attenzione! Non serrare con troppa forza e non usare pinze.



Non resistente al gelo



Tempo max. di funzionamento continuo: 1 ora.



Tenere gli astanti, i bambini e i visitatori lontano dalla pompa in funzione.



Apparecchio da utilizzare esclusivamente in luogo chiuso, e comunque non esposto a pioggia.



Prima di iniziare togliere la batteria dalla apparecchiatura.



Pezzo di ricambio - Non incluso nella dotazione standard, disponibile come pezzo di ricambio.



I dispositivi elettrici, le batterie e le batterie ricaricabili non devono essere smaltiti con i rifiuti domestici. I dispositivi elettrici e le batterie devono essere raccolti separatamente e devono essere conferiti ad un centro di riciclaggio per lo smaltimento rispettoso dell'ambiente. Chiedere alle autorità locali o al rivenditore specializzato dove si trovano i centri di riciclaggio e i punti di raccolta.



Voltaggio



Corrente continua



Marchio di conformità europeo



Marchio di conformità ucraino



Marchio di conformità euroasiatico


I

DATOS TÉCNICOS Bomba de transferencia compacta	M18 BTP
Número de producción	4742 30 01 000001-999999
Voltaje de batería	18 V
Clase de protección	IPX4
Caudal máx.	30,3 l/min
Altura de la cabeza máx.	23 m
Altura de elevación máx.	5,5 m
Temperatura de agua máx.	60 °C
temperatura del agua máx.	40 °C
Racor para bomba	13 mm (1/2") NPT macho con 19 mm (3/4") BSPT macho
(Manguera)	19 mm (3/4") BSPT hembra
Tiempo de ejecución continua máx.	1 h
Peso sin batería	3,4 kg
Peso de acuerdo con el procedimiento EPTA 01/2014 (Li-Ion 2,0 Ah ... 12,0 Ah)	4,0 kg..., 5,1 kg
Juegos de baterías recomendados	M18B...M18HB
Cargadores recomendados	M12-18...; M1418C6



⚠ ADVERTENCIA Lea las indicaciones de seguridad, instrucciones, descripciones y datos que se incluyen en el aparato. En caso de no atenerse a las instrucciones siguientes, ello puede provocar una electrocución, incendio y/o lesiones serias. **Guardar todas las advertencias de peligro e instrucciones para futuras consultas.**

⚠ INSTRUCCIONES DE SEGURIDAD PARA BOMBAS

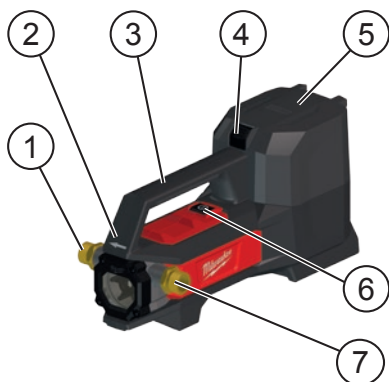
- No coloque la bomba bajo el agua o en áreas húmedas. Coloque la bomba solo en lugares secos.
- ¡Atención! Peligro de electrocución. NO conecte el conducto a la bomba.
- No bombee líquidos inflamables o explosivos como gasolina, gasóleo, queroseno, etc. No emplear el aparato en locales con atmósfera con capacidad explosiva.
- No bombee agua con una temperatura superior a 60 °C (140 °F). No bombee arena, partículas o residuos grandes. Se producirán daños a la bomba.
- No permita que la bomba funcione en seco durante más de 10 segundos. Apague la bomba rápidamente cuando el trabajo esté completo. Siempre retire la batería antes de intentar instalar o reparar la bomba.
- No permita que esta bomba funcione sin supervisión. El incumplimiento de esta advertencia podría provocar lesiones personales o la muerte.
- Siempre retire la batería antes de intentar instalar o reparar la bomba. Nunca maneje la bomba con las manos mojadas o cuando se encuentre sobre una superficie mojada o húmeda o en el agua. Se puede producir una descarga eléctrica fatal.
- Asegure la manguera de descarga antes de arrancar la bomba. Una manguera de descarga sin asegurar puede dar latigazos. Se pueden producir lesiones personales o la muerte.

- No utilice la bomba si el interruptor no la enciende y apaga. Cualquier bomba que no pueda controlarse con el interruptor es peligrosa y debe repararse.
- No opere la bomba en atmósferas explosivas, como en presencia de líquidos inflamables, gases o polvo. Los motores producen chispas que encienden el polvo de los humos.
- Vístase de forma apropiada. No lleve prendas holgadas ni joyas. Mantenga el cabello, la ropa y los guantes alejados de las piezas móviles. Use una redcilla protectora para retener el cabello largo. La ropa suelta, las joyas o el pelo largo podrían quedar atrapados en las piezas móviles.
- No se incline demasiado y mantenga el equilibrio en todo momento. Una postura firme y el equilibrio permiten un mejor control en situaciones inesperadas.

Este aparato no es apropiado para ser utilizado por personas (incluidos los niños) con capacidades físicas, sensoriales o mentales limitadas, o que carezcan de experiencia o de conocimientos especiales, a menos que estén supervisados o hayan sido instruidos por una persona responsable de su seguridad. Además, los niños deben estar siempre bajo la supervisión de un adulto para evitar que jueguen con el aparato.

Los niños no deben jugar con el aparato.

Las tareas de limpieza y mantenimiento que correspondan al usuario no deben ser realizadas por niños sin supervisión.



- ① Salida
- ② Indicador de dirección de flujo
- ③ Empuñadura
- ④ Botón del compartimiento de la batería
- ⑤ Compartimiento de la batería
- ⑥ Botón de encendido/apagado
- ⑦ Entrada

INSTRUCCIONES ADICIONALES DE SEGURIDAD Y LABORALES

- No apto para agua potable u otros líquidos potables.
- Siempre retire la batería de la bomba antes de realizar ajustes, cambiar accesorios o guardar el aparato. Estas medidas de seguridad reducen el riesgo de encender el aparato accidentalmente.
- Mantenga los mangos y las superficies de agarre secos, limpios y sin aceite ni grasa. Los mangos y superficies de agarre resbaladizos no permiten un manejo y control seguros de la herramienta en situaciones inesperadas.
- Mantenga a los espectadores, niños y visitantes alejados mientras opera la bomba. Las distracciones darán lugar a errores.
- Manténgase alerta, observe lo que está haciendo y use el sentido común cuando opere esta bomba. No intente operar esta bomba mientras esté cansado o bajo la influencia de drogas, alcohol o medicamentos. Cualquier momento de distracción puede provocar lesiones personales graves.
- Use equipo de seguridad. Use siempre protección ocular. Se deben usar máscara antipolvo, zapatos de seguridad antideslizantes y casco para las condiciones apropiadas.
- No permita que la familiaridad adquirida con el uso frecuente de las herramientas le permita ser complaciente e ignorar los principios de seguridad de las herramientas. Una acción descuidada puede causar lesiones graves en una fracción de segundo.
- No bombee agua de un arroyo, estanque o fuente donde la bomba pueda aspirar objetos extraños. Los sólidos pueden meterse en la manguera de entrada.
- Mantenga el área de trabajo limpia y bien iluminada. Las áreas desordenadas u oscuras pueden provocar accidentes.
- Únicamente para uso interior.
- Use mangueras con conector hembra de latón BSPT de 19 mm (3/4").

- Se debe utilizar una manguera de alta resistencia para la entrada para evitar que la manguera se rompa. Para obtener los mejores resultados, use una manguera corta y de gran diámetro, como una manguera de jardín de 183 cm (6') de largo y 19 mm (3/4") de diámetro interior. Las mangueras más largas o más delgadas pueden reducir el rendimiento y el caudal.
- Se puede usar una manguera de jardín normal como manguera de salida.

APLICACIÓN DE ACUERDO A LA FINALIDAD

Esta bomba está diseñada para aplicaciones como el vaciado de calentadores de agua, tanques, etc. La bomba no es resistente al agua ni a la intemperie, y no está diseñada para usarse al aire libre o dentro de duchas, saunas u otros lugares potencialmente húmedos.

Esta bomba ha sido evaluada solamente para su uso con agua limpia. No está diseñada para manejar agua salada, salmuera, vertido de lavandería o cualquier otra aplicación que pueda contener sustancias químicas cáusticas o materiales extraños. Esta bomba no es adecuada para su uso con vida acuática.

No utilice este producto para ninguna otra aplicación que no sea su uso normal.

BATERIA

Las baterías no utilizadas durante cierto tiempo deben ser recargadas antes de usar.

Las temperaturas superiores a 50°C reducen el rendimiento de la batería. Evite una exposición excesiva a fuentes de calor o al sol (riesgo de sobrecalentamiento).

Los puntos de contacto de los cargadores y las baterías se deben mantener limpios.

Para un tiempo óptimo de vida, deberán cargarse las baterías completamente después de su uso. Las baterías no utilizadas durante cierto tiempo deben ser recargadas antes de usar.

Para garantizar la máxima capacidad y vida útil, las baterías recargables se deberían retirar del cargador una vez finalizada la carga.

En caso de almacenar la batería recargable más de 30 días: Almacenar la batería recargable en un lugar seco a una temperatura de aproximadamente 27°C. Almacenar la batería recargable con un estado de carga del 30% y 50% aproximadamente. Recargar la batería cada 6 meses.

No tire las baterías usadas a la basura ni al fuego. Los Distribuidores Milwaukee ofrecen un servicio de recogida de baterías antiguas para proteger el medio ambiente.

No almacene la batería con objetos metálicos (riesgo de cortocircuito).

Recargar solamente los acumuladores del Sistema M18 en cargadores M18. No intentar recargar acumuladores de otros sistemas.

No abra nunca las baterías ni los cargadores y guárdelos sólo en lugares secos. Protéjalos de la humedad en todo momento.

En caso de sobrecarga o alta temperatura, pueden llegar a producirse escapes de ácido provenientes de la batería. En caso de contacto con éste, limpie inmediatamente la zona con agua y jabón. Si el contacto es en los ojos, límpiense concienzudamente con agua durante 10 minutos y acuda inmediatamente a un médico.

No introduzca en la cavidad del cargador objetos metálicos (riesgo de cortocircuito).

PROTECCIÓN CONTRA SOBRECARGA DE LA BATERÍA

En caso de sobrecarga del acumulador por consumo excesivo de corriente eléctrica, por ej. debido a pares muy elevados,



E

agarramiento del útil, parada repentina o cortocircuito, la herramienta eléctrica se detendrá durante 2 segundos y se desconectará automáticamente.

Para conectarlo de nuevo, soltar el botón de encendido y después conectarlo otra vez.

Bajo cargas extremas, el acumulador se puede calentar mucho. En este caso desconectar el acumulador.

Meta entonces la batería en el cargador para recargarla otra vez y activarla.

TRANSPORTE DE BATERÍAS DE IONES DE LITIO

Las baterías de iones de litio caen bajo las disposiciones legales relativas al transporte de mercancías peligrosas.

El transporte de estas baterías recargables debe llevarse a cabo, observando las normas y disposiciones locales, nacionales e internacionales.

Los consumidores pueden transportar estas baterías recargables sin el menor reparo en la calle.

El transporte comercial de baterías recargables de iones de litio por empresas de transportes está sometido a las disposiciones del transporte de mercancías peligrosas. Las preparaciones para el envío y el transporte deben ser llevados a cabo exclusivamente por personas instruidas adecuadamente. El proceso completo debe ser supervisado por personal competente.

Los siguientes puntos se deben observar para el transporte de las baterías recargables::

Se debe asegurar que los contactos estén protegidos y aislados para evitar que se produzcan cortocircuitos. Preste atención a que el conjunto de baterías recargables no se pueda desplazar dentro del envase. Las baterías recargables deterioradas o derramadas no se deben transportar. Rogamos que para cualquier información adicional se dirija a su empresa de transportes.

MANTENIMIENTO

Mantenimiento de bomba y accesorios. Verifique si hay desalineación o atoramiento de las piezas móviles, rotura de piezas y cualquier otra condición que pueda afectar al funcionamiento de la bomba. Si está dañada, repare la bomba antes de utilizarla. Una bomba mal mantenida puede provocar accidentes.

- Retire la batería antes de comenzar cualquier trabajo el aparato. Libere toda la presión dentro del sistema antes de reparar cualquier componente.
- Drene todos los líquidos del sistema antes de realizar el servicio.
- Inspeccione periódicamente la bomba y los componentes del sistema en busca de mangueras débiles o desgastadas. Revise el impulsor en busca de desgaste o bloqueos. Asegúrese de que todas las conexiones sean seguras.
- Al realizar el mantenimiento a la bomba, utilice siempre piezas de repuesto idénticas. Siga las instrucciones en la sección de Mantenimiento de este manual. El uso de piezas no autorizadas o el hecho de no seguir las instrucciones de seguridad puede crear un riesgo de descarga eléctrica o lesiones y puede anular la garantía.
- No modifique ni intente reparar la bomba o la batería, excepto de la forma en que se indica en las instrucciones de uso y cuidado.
- Las tareas de limpieza y mantenimiento que correspondan al usuario no deben ser realizadas por niños sin supervisión.

Utilice el aparato sólo si éste se encuentra en perfecto estado.

Solo personas cualificadas y que utilicen piezas de repuesto originales deberán llevar a cabo la reparación de la herramienta, de lo contrario, esto podría derivar en daños considerables al usuario.

Limpie la herramienta y el dispositivo protector con un paño seco.

Algunos detergentes dañan materiales sintéticos u otras partes aisladas.

Un mantenimiento y una limpieza regular permitirán una larga vida y un manejo seguro de la herramienta.

El mantenimiento y los intervalos de mantenimiento se deben observar obligatoriamente.

Lleve a cabo solamente aquellos trabajos de mantenimiento que se especifican en las instrucciones de Servicio.

Utilice solamente accesorios y repuestos Milwaukee. En caso de necesitar reemplazar componentes no descritos, contacte con cualquiera de nuestras estaciones de servicio Milwaukee (consultar lista de servicio técnicos)

En caso necesario, puede solicitar un despiece de la herramienta. Por favor indique el número de impreso que hay en la etiqueta y pida el despiece a la siguiente dirección: Techtronix Industries GmbH, Max-Eyth-Straße 10, 71364 Winnenden, Germany.



E

PROBLEMA	CAUSA	CORRECCIÓN
La bomba no funciona.	Bloqueo en el impulsor.	Consulte «Reemplazo/limpieza del impulsor»
El caudal es demasiado bajo.	La línea de entrada/salida está obstruida o dañada. La conexión de entrada no es hermética. La tapa del impulsor no está bien sujeta. Impulsor desgastado.	Reemplace la línea de entrada/salida. Revise las líneas en busca de obstrucciones, dobleces o torceduras. Libere los bloqueos. Apriete la conexión de entrada añadiendo cinta de teflón o una junta si es necesario. Apriete cuatro (4) tornillos de la tapa a mano. Consulte «Reemplazo/limpieza del impulsor»
Apagado de la bomba.	Apagado seco de la bomba. Impulsor bloqueado. Batería instalada cuando la bomba está encendida.	Corrija la situación, después apague la herramienta y vuelva a encenderla para reiniciar.
Apagado por sobrecalentamiento	Línea de salida bloqueada. Línea de salida demasiado alta. Línea de salida demasiado larga. Bomba encendida durante demasiado tiempo.	Deje que la bomba se enfríe. Corrija la situación, después apague la herramienta y vuelva a encenderla para reiniciar.



¡ATENCIÓN! ¡ADVERTENCIA! ¡PELIGRO!



Lea las instrucciones detenidamente antes de conectar la herramienta



Usar protectores auditivos!



Para trabajar con la máquina, utilizar siempre gafas de protección.



No apto para líquidos químicos inflamables o cáusticos.



La temperatura máx. del líquido a transferir no debe exceder los 60 °C (140 °F).



Precaución: no apretar con demasiada fuerza y con alicates.



No es resistente a las heladas



Tiempo máx. de funcionamiento continuo 1 h.



Mantenga a los espectadores, niños y visitantes alejados mientras opera la bomba.



Sólo para uso en interiores



Retire la batería antes de comenzar cualquier trabajo el aparato.



Pieza de repuesto - No incluida en el equipo estándar, disponible como pieza de repuesto.



Los electrodomésticos y las baterías/acumuladores no se deben eliminar junto con la basura doméstica. Los aparatos eléctricos y los acumuladores se deben recoger por separado y se deben entregar a una empresa de reciclaje para una eliminación respetuosa con el medio ambiente. Infórmese en las autoridades locales o en su tienda especializada sobre los centros de reciclaje y puntos de recogida.



Tensión



Corriente continua



Marcado de conformidad europeo



Marcado de conformidad ucraniano



Marcado de conformidad euroasiático



E

CARACTERÍSTICAS TÉCNICAS Bomba de trasfega compacta	M18 BTP
Número de produção	4742 30 01 000001-999999
Tensão do acumulador	18 V
Classe de proteção	IPX4
Taxa de débito no máx.	30,3 l/min
Altura manométrica no máx.	23 m
Altura de elevação no máx.	5,5 m
Temperatura da água no máx.	60 °C
temperatura do ar no máx.	40 °C
Ligações da bomba	13 mm (1/2") NPT macho para 19 mm (3/4") BSPT macho
(Mangueira)	19 mm (3/4") BSPT fêmea
Tempo de operação contínua no máx.	1 h
Peso sem bateria	3,4 kg
Peso nos termos do procedimento-EPTA 01/2014 (Li-Ion 2,0 Ah ... 12,0 Ah)	4,0 kg..., 5,1 kg
Conjuntos de baterias recomendados	M18B...M18HB
Carregadores recomendados	M12-18...; M1418C6



Por

⚠ ATENÇÃO Ler todas as indicações de segurança, instruções, representações e dados fornecidos juntamente com o aparelho. O desrespeito das seguintes instruções pode levar a um choque eléctrico, incêndio e/ou graves lesões. **Guarde bem todas as advertências e instruções para futura referência.**

⚠ INSTRUÇÕES DE SEGURANÇA PARA BOMBAS

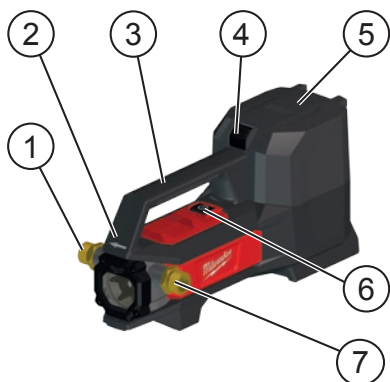
- Não coloque a bomba debaixo de água ou em zonas húmidas. Coloque a bomba apenas em locais secos.
- Atenção! Perigo de choque eléctrico. NÃO ligue a conduta à bomba.
- Não bombeie líquidos inflamáveis ou explosivos, tais como gasolina, óleo combustível, querosene, etc. Não use o aparelho em compartimentos com atmosfera explosiva.
- Não bombeie água com temperatura superior a 60 °C (140 °F). Não bombeie areia, partículas ou detritos de grandes dimensões. Se o fizer, ocorrerão danos na bomba.
- Não deixe a bomba funcionar a seco por um período superior a 10 segundos. Desligue a bomba imediatamente após a conclusão do trabalho. Antes de tentar instalar ou fazer a manutenção da bomba, retire sempre a bateria.
- Não deixe a bomba a trabalhar sem supervisão. Do não cumprimento deste aviso, poderão resultar ferimentos graves e/ou morte.
- Antes de tentar instalar ou fazer a manutenção da bomba, retire sempre a bateria. Nunca manuseie a bomba com as mãos molhadas, quando estiver sobre uma superfície húmida ou molhada, ou quando estiver dentro de água. Poderá ocorrer um choque eléctrico fatal.
- Antes de ligar a bomba, prenda a mangueira de descarga. Se a mangueira de descarga estiver solta poderá produzir um efeito de chicote. Da não observância, poderão resultar lesões graves e/ou morte.

- Não utilize a bomba se o interruptor não a ligar e desligar. Qualquer bomba que não possa ser controlada com o interruptor é perigosa, pelo que terá de ser reparada.
- Não trabalhe com a bomba em atmosferas explosivas, designadamente na presença de líquidos e gases ou poeiras inflamáveis. Os motores geram faíscas que poderão provocar a combustão das poeiras contidas nos vapores.
- Vista-se adequadamente. Não use roupas largas nem joias. Mantenha o seu cabelo, roupa e luvas distantes das peças móveis. Utilize uma cobertura protetora de cabelo para segurar os cabelos compridos. Roupa folgada, joias ou cabelo comprido poderão ficar presos nas partes móveis.
- Não se debruce demais e mantenha sempre o equilíbrio. Manter-se sobre uma base estável e equilibrada permitir-lhe-á ter mais controlo caso ocorram situações imprevistas.

Este aparelho não é apropriado para ser utilizado por pessoas com capacidades físicas, sensoriais ou mentais reduzidas (inclusive crianças) ou uma falta de experiência ou conhecimentos especializados, a não ser que elas sejam instruídas ou supervisionadas correspondentemente por uma pessoa responsável pela sua segurança. Além disso, crianças devem ser supervisionadas para assegurar que não brinquem com o aparelho.

Não deixe que crianças brinquem com o Aparelho.

Não permita a limpeza e manutenção do aparelho pelo utilizador a crianças sem Vigilância.



- ① Conduta de saída
- ② Indicador do sentido do fluxo
- ③ Pega
- ④ Botão do compartimento da bateria
- ⑤ Compartimento da bateria
- ⑥ Botão de Ligar/Desligar
- ⑦ Entrada

INSTRUÇÕES DE SEGURANÇA E TRABALHO SUPLEMENTARES

- Não indicada para água potável ou outros líquidos potáveis.
- Antes de efetuar quaisquer ajustes, trocar acessórios ou guardar o aparelho, retire sempre a bateria da bomba. Tais medidas preventivas de segurança reduzem o risco de arranque acidental do aparelho.
- Mantenha as pegas e superfícies de contacto secas, limpas e livres de óleo e gordura. As pegas e superfícies de contacto escorregadias não permitem manusear e controlar o aparelho de forma segura em situações imprevistas.
- Ao trabalhar com a bomba, mantenha afastadas quaisquer pessoas que se encontrem nas proximidades, bem como crianças visitantes. As distrações darão origem a erros.
- Ao trabalhar com esta bomba, mantenha-se alerta, tenha cuidado com o que está a fazer e use o seu bom senso. Quando se sentir cansado ou se estiver sob influência de drogas, álcool ou medicação, não tente trabalhar com esta bomba. Um momento de desatenção pode resultar em lesões pessoais graves.
- Utilize equipamento de segurança. Utilize sempre proteção ocular. Para que as condições sejam adequadas, deve-se-á usar sempre uma máscara de proteção contra poeiras, calçado de segurança antiderrapante e capacete.
- Não permita que a familiaridade conquistada com a utilização frequente das ferramentas o torne complacente ou o faça ignorar os princípios de segurança da ferramenta em questão. Uma ação descuidada poderá provocar lesões graves numa simples fração de segundo.
- Não utilize a bomba para retirar água de ribeiros, poças ou nascentes que possam albergar objetos estranhos passíveis de serem sugados pela mesma. É possível que se infiltrem objetos sólidos na mangueira de entrada.
- Mantenha a área de trabalho limpa e bem iluminada. As áreas desorganizadas ou escuras são uma porta aberta à ocorrência de acidentes.
- Apenas para uso em áreas interiores.

- Utilize mangueiras com rosca fêmea de 19 mm (3/4") BSPT feita de latão.
- Para a conduta de entrada, deve-se-á utilizar uma mangueira reforçada, a fim de evitar o colapso da mesma. A fim de obter melhores resultados, recomenda-se a utilização de uma mangueira de comprimento curto e diâmetro largo, como por exemplo, uma mangueira de jardim com 183 cm (6') de comprimento e 19 mm (3/4") de diâmetro interno. Mangueiras mais compridas ou estreitas podem diminuir o nível de desempenho e reduzir a taxa de débito.
- Como mangueira de saída, poderá ser utilizada uma mangueira de jardim convencional.

UTILIZAÇÃO AUTORIZADA

Esta bomba foi concebida para aplicações tais como a drenagem de aquecedores de água, tanques, etc. Esta bomba não é à prova de água ou de intempéries e não é indicada para ser utilizada em áreas exteriores, chuveiros, saunas ou outros locais potencialmente húmidos.

Esta bomba foi avaliada exclusivamente para fins de utilização com água limpa. Não foi concebida para trabalhar com água salgada, salmoura, descargas de água de lavar roupa, ou qualquer outra aplicação que implique a presença de produtos químicos corrosivos e/ou materiais estranhos. Esta bomba não é adequada para ser utilizada com organismos biológicos aquáticos.

Não use este produto de outra maneira sem ser a normal para a qual foi concebido.

ACUMULADOR

Acumuladores não utilizados durante algum tempo devem ser recarregados antes da sua utilização.

Temperaturas acima de 50°C reduzem a capacidade do bloco acumulador. Evitar exposição prolongada ao sol ou a caloríferos. Manter limpos os contactos eléctricos no carregador e no bloco acumulador.

Para uma vida útil óptima das baterias, terá que carregá-las plenamente após a sua utilização. Acumuladores não utilizados durante algum tempo devem ser recarregados antes da sua utilização.

Para assegurar uma vida útil longa, o pacote de bateria deve ser removido da carregadora depois do carregamento.

Se o pacote de bateria for armazenado por mais de 30 dias: Armazene o pacote de bateria com aprox. 27°C em um lugar seco. Armazene o pacote de bateria com aprox. 30%-50% da carga completa., Carregue o pacote de bateria novamente de 6 em 6 meses.

Não queimar acumuladores gastos nem deitá-los no lixo doméstico. A Milwaukee possui uma eliminação de acumuladores gastos que respeita o meio ambiente.

Não guardar acumuladores junto com objectos metálicos (perigo de curto-circuito).

Use apenas carregadores do Sistema M18 para recarregar os acumuladores do Sistema M18. Não utilize acumuladores de outros sistemas.

Carregadores só devem ser utilizados em recintos secos.

Em caso de cargas ou temperaturas extremas, um acumulador de substituição danificado poderá verter líquido de bateria. Se entrar em contacto com este líquido, deverá lavar-se imediatamente com água e sabão. Em caso de contacto com os olhos, enxágüe-os bem e de imediato durante pelo menos 10 minutos e consulte um médico o mais depressa possível.



Por

Não abrir acumuladores e carregadores. Armazená-los em recintos secos. Protegê-los contra humidade.

PROTECÇÃO DE SOBRECARGA DE BATERIA

Em caso de sobrecarga da bateria devido a um consumo de energia muito alto, p.ex., por causa de um elevado binário, de uma parada repentina ou de um curto-circuito, a ferramenta eléctrica pára por 2 segundos e desliga-se automaticamente.

Para a ligar novamente, desligar e voltar a ligar o interruptor

Para a ligar novamente, desligar e voltar a ligar o interruptor. Sob condições extremas, a bateria pode aquecer demasiado. Neste caso a bateria desliga-se.

Voltar então a colocar o acumulador no carregador para o carregar de novo e para assim o activar.

TRANSPORTE DE BATERIAS DE IÃO-LÍLIO

Baterias de ião-lítio estão sujeitas às disposições da legislação relativa às substâncias perigosas.

O transporte destas baterias deve ser efectuado de acordo com as disposições e os regulamentos locais, nacionais e internacionais.

O utilizador pode efectuar o transporte rodoviário destas baterias sem restrições.

O transporte comercial de baterias de ião-lítio por terceiros está sujeito aos regulamentos relativos às substâncias perigosas. A preparação do transporte e o transporte devem ser executados exclusivamente por pessoas instruídas e o processo deve ser acompanhado pelos especialistas correspondentes.

Observe o seguinte no transporte de baterias::

Assegure-se de que os contactos terminais estejam protegidos e isolados para evitar um curto-circuito. Assegure-se de que o bloco da bateria esteja protegido contra movimentos na embalagem. Não transporte baterias danificadas ou que tenham fuga. Para instruções mais detalhadas consulte a companhia de transportes

MANUTENÇÃO

Realize a manutenção da bomba e respetivos acessórios. Verifique a existência de desalinhamentos, a união das peças móveis, a quebra de peças e quaisquer outras condições que possam afetar o funcionamento da bomba. Caso a bomba esteja danificada, mande repará-la antes de a utilizar novamente. A manutenção deficiente da bomba pode resultar na ocorrência de acidentes.

- Antes de efectuar qualquer intervenção o aparelho retirar o bloco acumulador. Antes de fazer a manutenção de qualquer componente, despressurize o sistema por completo.
- Antes de fazer a manutenção, drene todos os líquidos do sistema.
- Inspeccione periodicamente a bomba e os componentes do sistema, a fim de verificar a existência de mangueiras enfraquecidas e/ou desgastadas. Verifique o rotor para detetar a presença de desgastes ou bloqueios. Certifique-se de que todas as uniões estão bem apertadas.
- Ao fazer a manutenção da bomba, utilize apenas peças de reposição idênticas. Siga as instruções apresentadas na secção de Manutenção deste manual. A utilização de peças não autorizadas ou incumprimento das instruções de manutenção poderão resultar num risco de choque eléctrico ou lesões, bem como anular a garantia.
- Não modifique nem tente reparar a bomba ou a bateria, exceto em conformidade com o que for indicado nas instruções de utilização e conservação.

- Não permita a limpeza e manutenção do aparelho pelo utilizador a crianças sem Vigilância.

Só use o aparelho em condição perfeita.

As reparações devem ser efetuadas por pessoas qualificadas, utilizando peças de reposição originais. Caso contrário, poderão resultar em perigo considerável para o utilizador.

Limpe o aparelho e o dispositivo de protecção com um pano seco.

Alguns detergentes danificam o plástico ou outras peças isoladas.

Uma manutenção e limpeza em intervalos regulares cuida de uma longa vida útil e de um manejo seguro.

Sempre observe a manutenção e os intervalos de manutenção.

Realizar apenas trabalhos de manutenção descritos nas instruções de operação.

Utilizar apenas acessórios Milwaukee e peças sobresselentes Milwaukee. Os componentes cuja substituição não esteja descrita devem ser substituídos num serviço de assistência técnica Milwaukee (consultar a brochura relativa à garantia/moradas dos serviços de assistência técnica).

A pedido e mediante indicação da referência que consta da chapa de características da máquina, pode requerer-se um desenho explosivo da ferramenta eléctrica a: Techtronic Industries GmbH, Max-Eyth-Straße 10, 71364 Winnenden, Germany.



PROBLEMA	CAUSA	CORREÇÃO
A bomba não trabalha.	Bloqueio do rotor.	Consulte „Substituição/Limpeza do Rotor“
Taxa de débito demasiado baixa.	A conduta de entrada/saída encontra-se obstruída ou danificada. A união de entrada não é estanque ao ar. A tampa do rotor não está bem apertada. Rotor desgastado.	Substitua a conduta de entrada/saída. Inspeccione as condutas para detetar a existência de obstruções, torções ou dobras. Elimine as obstruções. Aperte a união da entrada e, se necessário, acrescente fita teflon ou uma junta vedante. Aperte manualmente os quatro (4) parafusos da tampa. Consulte „Substituição/Limpeza do Rotor“
Desativação da bomba.	Desativação da bomba a seco. Rotor bloqueado. Bateria instalada com a bomba ligada.	Corrija a situação. Em seguida, desligue o equipamento e volte a ligá-lo, para que o sistema seja reposto.
Desativação por motivo de sobreaquecimento	Conduta de saída obstruída. Conduta de saída demasiado elevada. Conduta de saída demasiado extensa. Bomba LIGADA por um período de tempo demasiado longo.	Aguarde até que a bomba arrefeça. Corrija a situação. Em seguida, desligue o equipamento e volte a ligá-lo, para que o sistema seja reposto.



ATENÇÃO! PERIGO!



Leia atentamente o manual de instruções antes de colocar a máquina em funcionamento.



Use protectores auriculares!



Usar sempre óculos de protecção ao trabalhar com a máquina.



Não indicada para produtos químicos líquidos inflamáveis ou corrosivos.



A temperatura máx. do líquido circulante não pode exceder os 60 °C (140 °F).



Cuidado! Não aperte demasiado nem utilize alicates.



Não resistente ao gelo



Tempo máx. de funcionamento contínuo: 1 h.



Ao trabalhar com a bomba, mantenha afastadas quaisquer pessoas que se encontrem nas proximidades, bem como crianças e visitantes.



O aparelho destina-se unicamente a ser utilizado em trabalhos interiores; não exponha o aparelho à chuva.



Antes de efectuar qualquer intervenção o aparelho retirar o bloco acumulador.



Peça de reposição - Não incluída no equipamento padrão, disponível como peça de reposição.



Aparelhos eléctricos, baterias/acumuladores não devem ser jogados no lixo doméstico. Os aparelhos eléctricos e as baterias devem ser colectados separadamente e entregues a uma empresa de reciclagem para a eliminação correcta. Solicite informações sobre empresas de reciclagem e postos de colecta de lixo das autoridades locais ou do seu vendedor autorizado.

V

Tensão



Corrente contínua



Marca de Conformidade Europeia



Marca de Conformidade Ucraniana



Marca de Conformidade Eurasiática



Por

TECHNISCHE GEGEVENS Compacte doorvoerpomp	M18 BTP
Productienummer	4742 30 01 000001-999999
Spanning wisselakku	18 V
Beschermingsklasse	IPX4
Debiet max.	30,3 l/min
Kophoogte max.	23 m
Slaghoogte max.	5,5 m
Wartertemperatuur max.	60 °C
Luchttemperatuur max.	40 °C
Pompaansluiting	13 mm (1/2") NPT buitendraad op 19 mm (3/4") BSPT buitendraad
(Slang)	19 mm (3/4") BSPT binnendraad
Continu bedrijf max.	1 h
Gewicht zonder wisselaccu	3,4 kg
Gewicht volgens de EPTA-procedure 01/2014 (Li-Ion 2,0 Ah ... 12,0 Ah)	4,0 kg..., 5,1 kg
Aanbevolen accupacks	M18B...M18HB
Aanbevolen laadtoestellen	M12-18...; M1418C6



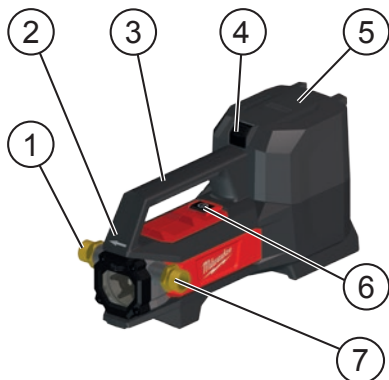
⚠ WAARSCHUWING Lees en bekijk alle veiligheidsaanwijzingen, aanwijzingen, afbeeldingen en gegevens die u bij het apparaat ontvangt. Als u de volgende aanwijzingen niet in acht neemt, kunnen een elektrische schok, brand en/of ernstig letsel het gevolg zijn. **Bewaar alle waarschuwingen en voorschriften voor toekomstig gebruik.**

⚠ VEILIGHEIDSINSTRUCTIES VOOR POMPEN

- Plaats de pomp nooit onder water of in een natte omgeving. Plaats de pomp uitsluitend op een droge locatie.
- Opgelet! Gevaar voor elektrische schokken! Sluit de pomp NIET aan op een leidingstelsel.
- Pomp geen ontvlambare of explosieve vloeistoffen zoals benzine, stookolie, kerosine enz. Gebruik het heteluchtstelsel niet in explosiegevaarlijke werkomgevingen.
- Pomp geen water op met een temperatuur hoger dan 60 °C (140 °F). Pomp geen zand, kleine deeltjes of grotere stukken puin op. Hierdoor kan de pomp beschadigd raken.
- Laat de pomp nooit langer dan 10 seconden drooglopen. Schakel de pomp snel uit wanneer de werkzaamheden voorbij zijn. Verwijder altijd de accu voordat u probeert de pomp te installeren of te onderhouden.
- Laat de pomp nooit zonder toezicht lopen. Het niet opvolgen van deze waarschuwing kan lichamelijk letsel en/of de dood tot gevolg hebben.
- Verwijder altijd de accu voordat u probeert de pomp te installeren of te onderhouden. Pak de pomp nooit vast met natte handen of terwijl u op een natte of vochtige ondergrond of in het water staat. Er bestaat kans op een dodelijke elektrische schok.
- Zet de afvoerslang vast voordat u de pomp inschakelt. Een losse afvoerslang kan zich gedragen als een zweep. Dit kan ernstig letsel of zelfs de dood tot gevolg hebben.

- Gebruik de pomp niet wanneer de aan-/uitknop niet functioneert. Een pomp die niet met behulp van een aan-/uitknop kan worden in- of uitgeschakeld, is gevaarlijk en moet worden gerepareerd.
- Gebruik de pomp niet in een omgeving waar explosiegevaar bestaat, bijvoorbeeld in de buurt van ontvlambare vloeistoffen, gassen of stofwolken. De motor van de pomp veroorzaakt vonkjes die het stof of de damp kunnen laten ontbranden.
- Draag geschikte kleding. Draag geen wijde kleding of sieraden. Houd haar, kleding en handschoenen uit de buurt van bewegende onderdelen. Gebruik bij lang haar een haarnet. Houd loszittende kleding, sieraden en lang haar uit de buurt van bewegende onderdelen.
- Reik niet te ver voorover en houd te allen tijde uw evenwicht. Een stabiele werkhouding zorgt ervoor dat u beter in staat bent te reageren in onverwachte situaties.

Dit apparaat is niet geschikt voor het gebruik door personen (inclusief kinderen) met beperkte lichamelijke, sensorische of geestelijke vermogens of gebrekkige ervaring resp. vak kennis, tenzij ze dienovereenkomstig worden geïnstrueerd of begeleid door een voor de veiligheid verantwoordelijke persoon. Op kinderen moet toezicht worden gehouden om te voorkomen dat ze met het apparaat spelen. Kinderen mogen niet met het apparaat Spelen. Reiniging en onderhoud mogen niet worden uit-gevoerd door kinderen als zij niet onder toezicht



- | | |
|-------------------------|--------------------|
| ① Afvoerleiding | ⑤ Accucompartiment |
| ② Richtingsindicator | ⑥ Aan-/uitknop |
| ③ Handgreep | ⑦ Toevoerleiding |
| ④ Knop accucompartiment | |

VERDERE VEILIGHEIDS- EN WERKINSTRUCTIES

- Niet geschikt voor drinkwater of andere drinkbare vloeistoffen.
- Verwijder altijd de batterij uit de pomp voordat u instellingen aan de pomp wijzigt, accessoires vervangt of het apparaat opbergt. Dergelijke preventieve veiligheidsmaatregelen verminderen het risico dat het apparaat per ongeluk wordt ingeschakeld.
- Houd handgrepen droog, schoon en vrij van olie en vet. Gladde handgrepen maken het onmogelijk om het gereedschap in onverwachte situaties veilig te hanteren en te controleren.
- Houd omstanders, kinderen en bezoekers op veilige afstand wanneer u de pomp gebruikt. Wanneer u afgeleid bent, kunt u fouten maken.
- Blijf alert, let op wat u doet en gebruik uw gezond verstand bij het gebruik van deze pomp. Gebruik deze pomp niet wanneer u moe bent of onder invloed bent van drugs, alcohol of medicijnen. Een ogenblik van onoplettendheid kan leiden tot ernstig lichamelijk letsel.
- Gebruik altijd veiligheidsvoorzieningen. Draag altijd geschikte gehoorbescherming. Gebruik al naar gelang de omstandigheden een stofmasker, veiligheidsschoenen met antislipzool en een helm.
- Door het gereedschap vaker te gebruiken, raakt u er vertrouwd mee. Zorg dat u niet nonchalant wordt en na verloop van tijd veiligheidsvoorschriften gaat negeren. Onachtzaamheid kan binnen enkele seconden ernstig letsel tot gevolg hebben.
- Pomp geen water op uit een meertje, vijver of een andere bron waarbij vreemde voorwerpen kunnen worden opgezogen. Voorwerpen kunnen anders in de toevoerslang terechtkomen.
- Gebruik de pomp uitsluitend in een schone en goed verlichte omgeving. Ongelukken vinden vaak plaats in een rommelige of donkere omgeving.
- Uitsluitend bedoeld voor gebruik binnenshuis.
- Gebruik slangen met een doorsnede van 19 mm (3/4") BSPT met een messing vrouwelijke aansluiting.

- Gebruik een extra stevige slang als toevoerleiding om te voorkomen dat deze inklapt. Gebruik voor het beste resultaat een korte slang met een grote diameter, bijvoorbeeld een tuinslang met een lengte van 183 cm (6') en een binnendiameter van 19 mm (3/4"). Langere of dünnere slangen kunnen een negatief effect hebben op de capaciteit en het debiet.
- Een normale tuinslang is geschikt als afvoerleiding.

VOORGESCHREVEN GEBRUIK VAN HET SYSTEEM

Deze pomp is ontworpen om bijvoorbeeld boilers en tanks leeg te pompen. De pomp is niet waterdicht of weerbestendig en is niet bedoeld voor gebruik buitenshuis of in douches, sauna's of andere mogelijk vochtige plaatsen.

Deze pomp is uitsluitend getest op het gebruik met zuiver water. De pomp is niet bedoeld voor de verwerking van zout water, pekkel, waswater of andere toepassingen die bijtende chemicaliën en/of vreemde stoffen kunnen bevatten. Deze pomp is niet geschikt voor aquaria.

Dit apparaat uitsluitend gebruiken voor normaal gebruik, zoals aangegeven.

AKKU

Langere tijd niet toegepaste wisselakku's vóór gebruik altijd naladen.

Een temperatuur boven de 50°C vermindert de capaciteit van de accu. Langdurige verwarming door zon of hitte vermijden.

De aansluitkontakten aan het laadapparaat en de accu schoonhouden.

Voor een optimale levensduur moeten de accu's na het gebruik volledig opgeladen worden. Langere tijd niet toegepaste wisselakku's vóór gebruik altijd naladen.

Voor een zo lang mogelijke levensduur van de accu's dienen deze na het opladen uit het laadtoestel te worden verwijderd.

Bij een langere opslag van de accu dan 30 dagen: accu bij ca. 27 °C droog bewaren, accu bij ca. 30 % - 50 % van de laadtoestand bewaren., accu om de 6 maanden opnieuw opladen.

Verbruikte akku's niet in het vuur of bij het huisvuil werpen. Milwaukie biedt namelijk een milieuvriendelijke recyclingmethode voor uw oude akku's.

Wisselakku's niet bij metalen voorwerpen bewaren (kortsluitingsgevaar!).

Wisselakku's van het Akku-Systeem M18 alléén met laadapparaten van het Akku-Systeem M18 laden. Geen akku's van andere systemen laden.

Wisselakku's en laadapparaten niet openen en alleen in droge ruimtes opslaan. Tegen vocht beschermen.

Onder extreme belasting of extreme temperaturen kan uit de accu accu-vloeistof lopen. Na contact met accu-vloeistof direct afwassen met water en zeep. Bij oogcontact direct minstens 10 minuten grondig spoelen en onmiddellijk een arts raadplegen.

In de wisselakku-opnameschacht van het laadapparaat mogen géén metaaldeeltjes komen (kortsluitingsgevaar!).



OVERBELASTINGSBEVEILIGING VAN DE ACCU

Bij overbelasting van de accu door een zeer hoog stroomverbruik, bijv. extreem hoge draaimomenten, klemmen van het gereedschap, plotselinge stilstand of kortsluiting, stopt het elektrische gereedschap gedurende 2 seconden en schakelt dan automatisch uit.

Om het gereedschap weer in te schakelen, moet u de drukschakelaar loslaten en vervolgens weer inschakelen.

Onder extreme belastingen wordt de accu te heet. In dit geval schakelt hij uit.

Steek de accu in het laadtoestel om hem weer op te laden en te activeren.

TRANSPORT VAN LITHIUM-IONEN-ACCU'S

Lithium-ionen-accu's vallen onder de wettelijke bepalingen inzake het transport van gevaarlijke goederen.

Voor het transport van deze accu's moeten de lokale, nationale en internationale voorschriften en bepalingen in acht worden genomen.

Gebruikers mogen deze accu's zonder meer over de weg transporteren.

Het commerciële transport van lithium-ionen-accu's door expeditiebedrijven is onderhevig aan de bepalingen inzake het transport van gevaarlijke goederen. De verzendingsvoorbereidingen en het transport mogen uitsluitend worden uitgevoerd door dienovereenkomstig opgeleide personen. Het complete proces moet vakkundig worden begeleid.

Onderstaande punten moeten bij het transport van accu's in acht worden genomen::

Waarborg ter vermindering van kortsluitingen dat de contacten beschermd en geïsoleerd zijn. Let op dat het accupack in de verpakking niet kan verschuiven. Beschadigde of lekkende accu's mogen niet worden getransporteerd. Neem voor meer informatie contact op met uw expeditiebedrijf.

ONDERHOUD

Voer regelmatig onderhoud uit aan de pomp en de bijbehorende accessoires. Controleer of alle bewegende onderdelen op de juiste manier zijn uitgelijnd, of deze onderdelen defect zijn of slijtage vertonen en of er wellicht sprake is van andere omstandigheden die invloed hebben op het functioneren. Wanneer de pomp beschadigd is, dient u deze voor gebruik eerst te repareren. Een slecht onderhouden pomp kan een ongeluk veroorzaken.

- Voor alle werkzaamheden aan de apparatuur de accu verwijderen. Laat alle druk in het systeem ontsnappen voordat u onderhoud uitvoert.
- Laat voor de onderhoudswerkzaamheden alle vloeistoffen uit het apparaat lopen.
- Inspecteer de pomp en de verschillende onderdelen regelmatig en controleer daarbij met name of de slangen zwakke plekken of slijtage vertonen. Controleer of de waaier slijtage vertoont of geblokkeerd is. Controleer of alle verbindingen stevig vastzitten.
- Maak tijdens onderhoudswerkzaamheden uitsluitend gebruik van identieke reserveonderdelen. Volg de instructies uit het hoofdstuk Onderhoud in deze handleiding. Het gebruik van niet-originele onderdelen of het niet opvolgen van de onderhoudsinstructies kan mogelijk een elektrische schok of letsel veroorzaken en kan de garantie doen vervallen.
- Voer geen wijzigingen uit aan de pomp of de accu en probeer deze niet te repareren, behalve zoals aangegeven in deze gebruiks- en onderhoudsinstructies.

- Reiniging en onderhoud mogen niet worden uit-gevoerd door kinderen als zij niet onder toezicht

Gebruik het apparaat alleen als het in onbeschadigde staat verkeert.

Reparaties mogen alleen door een elektromonteur en met originele reserveonderdelen worden uitgevoerd, anders bestaat voor de gebruiker kans op ongevallen.

Reinig het apparaat en de veiligheidsinrichting met een droge doek.

Bepaalde reinigingsmiddelen tasten de kunststof of andere geïsoleerde onderdelen aan.

Regelmatig uitgevoerde onderhouds- en reinigingswerkzaamheden waarborgen een lange levensduur en een veilig gebruik.

Houd u strikt aan de onderhouds- en instandhoudingsinstructies.

Alleen onderhoudswerkzaamheden uitvoeren die in de gebruiksaanwijzing zijn beschreven.

Gebruik uitsluitend Milwauke toebehoren en onderdelen. Indien componenten die moeten worden vervangen niet zijn beschreven, neem dan contact op met een officieel Milwauke servicecentrum (zie onze lijst met servicecentra).

Onder vermelding van het nummer op het machineplaatje is desgewenst een doorsnedetekening van de machine verkrijgbaar bij: Techtronix Industries GmbH, Max-Eyth-Straße 10, 71364 Winnenden, Germany.



PROBLEEM OPLOSSEN

PROBLEEM	OORZAAK	OPLOSSING
Pomp loopt niet.	Waaier geblokkeerd.	Zie "Vervangen/deblokkeren waaier"
Debiet is te laag.	Toe-/afvoerleiding is verstopt of beschadigd. De aansluiting van de toevoerleiding is niet luchtdicht. De afdekking van de waaier is niet goed gesloten. Waaier is versleten.	Vervang de toevoer-/afvoerleiding. Controleer de leidingen op verstoppingen, knikken of bochten. Verwijder de verstopping. Draai de aansluiting goed vast en gebruik indien nodig tape of een pakking. Draai de vier (4) schroeven met de hand vast. Zie "Vervangen/deblokkeren waaier"
Pomp schakelt uit.	Pomp schakelt uit vanwege drooglopen. Waaier geblokkeerd. Accu aangebracht terwijl de pomp ingeschakeld was.	Verhelp het probleem en schakel de pomp uit en weer aan om deze te resetten.
Pomp schakelt uit vanwege te hoge temperatuur	Afvoerleiding verstopt. Afvoerleiding te hoog. Afvoerleiding te lang. Pomp te lang AAN.	Laat de pomp afkoelen. Verhelp het probleem en schakel de pomp uit en weer aan om deze te resetten.

SYMBOLEN

-  OPGELET! WAARSCHUWING! GEVAAR!
-  Graag instructies zorgvuldig doorlezen vóórdat u de machine in gebruik neemt.
-  Draag oorbeschermers!
-  Bij het werken met de machine altijd een veiligheidsbril dragen.
-  Niet geschikt voor ontvlambare of bijtende chemicaliën.
-  De temperatuur van de over te brengen vloeistof mag max. 60 °C (140 °F) bedragen.
-  Let op! Niet te strak aandraaien en zeker niet met een tang.
-  Niet bestand tegen vorst
-  Mag max. 1 uur achter elkaar worden gebruikt.
-  Houd omstanders, kinderen en bezoekers op veilige afstand wanneer u de pomp gebruikt.
-  Het apparaat is alléén geschikt voor toepassing in ruimtes, apparaat niet aan regen blootstellen.
-  Voor alle werkzaamheden aan de apparat de accu verwijderen.
-  Reserveonderdeel - Niet inbegrepen in de standaarduitrusting, beschikbaar als reserveonderdeel.
-  Elektrische apparaten, batterijen en accu's mogen niet via het huisafval worden afgevoerd. Elektrische apparaten en accu's moeten gescheiden worden verzameld en voor een milieuvriendelijke afvoer worden afgegeven bij een recyclingbedrijf. Informeer bij uw gemeente of bij uw vakhandelaar naar recyclingbedrijven en inzamelpunten.
- V** Spanning
-  Gelijkstroom
- CE** Europees symbool van overeenstemming
-  Oekraïens symbool van overeenstemming
- EAC** Euro-Aziatisch symbool van overeenstemming



TEKNISKE DATA Kompakt transferpumpe	M18 BTP
Produktionsnummer	4742 30 01 000001-999999
Udskiftningsbatteriets spænding	18 V
Beskyttelsesklasse	IPX4
Strømningshastighed maks.	30,3 l/min
Sugehøjde maks.	23 m
Løftehøjde maks.	5,5 m
Vandtemperatur maks.	60 °C
Lufttemperatur maks.	40 °C
Pumpefitting	13 mm (1/2") NPT udvendigt gevind på 19 mm (3/4") BSPT udvendigt gevind
(Slange)	19 mm (3/4") BSPT indvendigt gevind
Konstant køretid maks.	1 h
Vægt uden batteri	3,4 kg
Vægt svarer til EPTA-procedure 01/2014 (Li-Ion 2,0 Ah ... 12,0 Ah)	4,0 kg..., 5,1 kg
Anbefalede batteripakker	M18B...M18HB
Anbefalede opladere	M12-18...; M1418C6



Dan

⚠ ADVARSEL Læs alle sikkerhedsanvisninger, anvisninger, instruktioner og data, der følger med enheden. Overholder du ikke følgende instruktioner, kan du få elektrisk stød, der kan opstå brand og /eller du kan blive kvæstet alvorligt.

Opbevar alle advarselshenvisninger og instrukser til senere brug.

⚠ SIKKERHEDSANVISNINGER FOR PUMPER

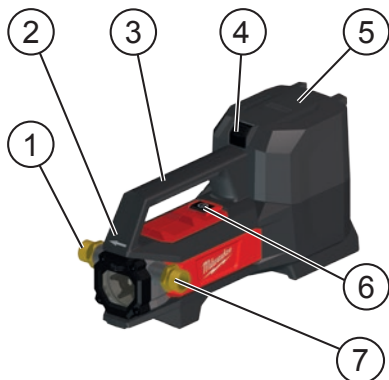
- Placer ikke pumpen under vand eller i våde områder. Placer udelukkende pumpen på tørre steder.
- Giv agt! Fare for elektrisk stød. Forbid IKKE ledningen med pumpen.
- Pump ikke brændbare eller eksplosive væsker, såsom benzin, brændselolie, kerosin etc. Blæseren må ikke benyttes i rum med eksplosiv atmosfære.
- Pump ikke vand med en temperatur over 60 °C (140 °F). Pump ikke sand, partikler eller store stykker. Der vil opstå skader på pumpen.
- Sørg for, at pumpen ikke kører tør i mere end 10 sekunder. Sluk hurtigt for pumpen når jobbet er fuldført. Fjern altid batteripakken inden du prøver på at installere eller servicere pumpen.
- Sørg for, at denne pumpe altid benyttes under opsyn. Hvis denne advarsel ikke følges, kan det medføre kvæstelser og/eller dødsfald.
- Fjern altid batteripakken inden du prøver på at installere eller servicere pumpen. Hånder aldrig pumpen med våde hænder eller når du står på en våd eller fugtig overflade eller i vand. Dødeligt elektrisk stød kan forekomme.
- Sørg for at sikre afløbsslangen inden du starter pumpen. En usikret afløbsslange kan slynges ud. Det kan medføre kvæstelser og/eller dødsfald.

- Brug ikke pumpen, hvis afbryderen ikke tænder og slukker den. Enhver pumpe, som ikke kan kontrolleres med afbryderen, er farlig, og det er nødvendigt at reparere den.
- Brug ikke pumpen i eksplosive atmosfærer, fx når brandbare væsker, gasser eller støv er til stede. Motorer skaber gnister, som vil antænde støvet fra udstødninger.
- Tag passende tøj på. Undgå at bære løst tøj eller smykker. Hold dit hår, tøj og handsker væk fra bevægelige dele. Brug et hårtel til at holde langt hår på plads. Løstsiddende tøj, smykker eller langt hår kan blive indfanget af bevægelige dele.
- Læn dig ikke for langt ud og sørg hele tiden for at holde balancen. Korrekt fodfæste og balance muliggør bedre kontrol i uventede situationer.

Dette apparat er ikke beregnet til brug for personer (herunder børn), der har nedsatte fysiske, sensoriske eller mentale evner eller mangel på erfaring og viden, med mindre disse personer er under opsyn af eller har fået instruktion i brugen af apparatet fra en person, som er ansvarlig for deres sikkerhed. Børn skal være under opsyn for at garantere, at de ikke leger med apparatet.

Børn må ikke bruge apparatet som Legetøj.

Rengøring og vedligeholdelse må ikke udføres af børn, uden at de er under Opsigt.



- | | |
|------------------------|------------------|
| ① Udløb | ⑤ Batterirum |
| ② Retning af flowmåler | ⑥ Tænd-/slukknop |
| ③ Håndtag | ⑦ Indløb |
| ④ Knap til batterirum | |

YDERLIGERE SIKKERHEDS- OG ARBEJDSINFORMATIONER

- Ikke til drikkevand eller andre drikkelige væsker.
- Fjern altid batteripakken fra pumpen inden du foretager nogen justeringer, ændringer af tilbehør eller opbevarer udstyr. Sådanne forebyggende sikkerhedsforanstaltninger mindsker risikoen for at udstyret startes ved et uheld.
- Hold håndtag og gribeblader tørre, rene, og fri for olie og fedt. Glatte håndtag og gribeblader muliggør ikke sikker håndtering og kontrol af værktøjet i uventede situationer.
- Hold tilskuere, børn og gæster væk, når pumpen betjenes. Distraktioner vil medføre fejl.
- Vær opmærksom, hold godt øje med hvad du laver, og brug din sunde fornuft, når du bruger denne pumpe. Prøv ikke at bruge denne pumpe, når du er træt eller er påvirket af stoffer, alkohol eller medicin. Et øjeblikvis uopmærksomhed kan medføre alvorlige kvæstelser.
- Brug sikkerhedsudstyr. Bær altid øjenvern. Støvmaske, skridsikre sikkerhedssko og hjelm skal benyttes for at sikre passende betingelser.
- Sørg for at dit kendskab, som du har opnået gennem hyppig brug af værktøjer, ikke gør dig for selvsikker og får dig til at ignorere sikkerhedsprincipperne for værktøj. En ubetænksom handling kan forårsage kvæstelser på et splitsekund.
- Pump ikke vand fra en å, sø eller andre kilder, hvor fremmedlegemer kan blive suget ind i pumpen. Faste stoffer kan evt. trænge ind i indløbslangen.
- Sørg for, at arbejdsområdet er rent og ordentligt oplyst. Rodede eller mørke områder øger risikoen for ulykker.
- Kun til indendørs brug.
- Brug slanger med 19 mm (3/4") BSPT messing hun-fittings.

- En kraftig slange bør benyttes som indløbslange for at forhindre, at slangen kollapser. For at opnå de bedste resultater, så brug en slange med kort længde og stor diameter, som fx en 183 cm (6') lang haveslange med 19 mm (3/4") indvendig diameter. Længere eller tyndere slanger kan evt. mindske ydelsen og strømningshastigheden.
- En almindelig haveslange kan benyttes som en udløbslange.

TILTÆNKT FORMÅL

Denne pumpe er designet til bestemte anvendelser, såsom tømning af vandvarmere, beholdere etc. Pumpen er ikke vandtæt eller vejrbestandig, og den er ikke beregnet til udendørs brug eller inde i brusekabiner, saunaer eller andre steder, der potentielt set kan være våde.

Denne pumpe er udelukkende beregnet til at blive brugt med klart vand. Den er ikke egnet til at håndtere saltvand, saltlager, udledning fra vaskerier eller enhver anden anvendelse, som kan indeholde ætsende kemikalier og/eller fremmede materialer. Denne pumpe er ikke egnet til at blive brugt med vandlevende organismer.

Produktet må ikke anvendes på anden måde og til andre formål end foreskrevet.

BATTERI

Udskiftningsbatterier, der ikke har været brugt i længere tid, efterlades inden brug.

Ved temperaturer over 50°C formindskes batteriets effekt. Undgå direkte sollys og stærk varme.

Tilslutningskablerne på oplader og udskiftningsbatterier skal holdes rene.

For at opnå en optimal levetid skal de genopladelige batterier oplades fuldt efter brug. Udskiftningsbatterier, der ikke har været brugt i længere tid, efterlades inden brug.

For at sikre en så lang levetid som muligt skal batterierne tages ud af ladeaggregatet efter opladning.

Skal batterierne opbevares længere end 30 dage: Temperatur ca. 27°C i tørre omgivelser. Opbevares ved ca. 30%-50% af ladetilstanden., Batteri skal genoplades hver 6. måned.

Opbrugte udskiftningsbatterier må ikke brændes eller kasseres sammen med alm. husholdningsaffald. Milwaukee har en miljørigtig bortskaffelse af gamle udskiftningsbatterier, henvend Dem til Deres forhandler.

Opbevar ikke udskiftningsbatterier sammen med metalgenstande af fare for kortslutning.

Brug kun M18 ladeapparater for opladning af System M18 batterier.

Udskiftningsbatterier og opladere må ikke åbnes og skal opbevares i tørre rum. Beskyt dem mod fugtighed.

I tilfælde af en ekstrem belastning eller ekstrem temperatur kan der flyde batterivæske ud af et beskadiget batteri. Hvis De kommer i berøring med batterivæsken, skal den vaskes godt og grundigt af med vand og sæbe. I tilfælde af øjenkontakt, skal man mindst skylle øjnene godt og grundigt igennem i 10 minutter og omgående opsøge en læge.

Metaldele o.lign. må ikke komme i berøring med rummet beregnet for udskiftningsbatteriet (kortslutningsfare).



OVERBELASTNINGSSIKRING FOR BATTERI

Ved overbelastning af akkumulatoren på grund af et meget højt strømforbrug, f.eks. ekstremt høje drejningsmomenter, klemning af det indsatte værktøj, pludseligt stop eller kortslutning, stopper el-værktøjet i 2 sekunder og slukker automatisk.

For at tænde igen slippes trykknappen, hvorefter du tænder el-værktøjet igen.

Under ekstreme belastninger kan batteriet blive meget varmt. I så fald kobler batteriet fra.

Sæt batteriet i ladeadapteren for at genoplade det og aktivere det.

TRANSPORT AF LITHIUM-BATTERIER

Lithium-batterier er omfattet af lovgivningen om transport af farligt gods.

Transporten af disse batterier skal ske under overholdelse af lokale, nationale og internationale regler og bestemmelser.

Forbrugere må transportere disse batterier på veje uden yderligere krav.

Den kommercielle transport af lithium-batterier ved speditjonsfirmaer er omfattet af reglerne for transport af farligt gods. Forberedelsen af forsendelse og transport må kun udføres af tilsvarende trænedne personer. Den samlede proces skal følges af fagfolk.

Følgende punkter skal overholdes ved transport af batterier::

Sørg for at kontakterne er beskyttet og isoleret for at forhindre kortslutninger. Sørg for at batteripakken ikke kan bevæge sig inden for emballagen. Beskadigede eller lækkende batterier må ikke transporteres. Kontakt dit speditjonsfirma for at få yderligere oplysninger.

VEDLIGEHOLDELSE

Vedligehold pumpe og tilbehør. Hold øje med, om bevægelige dele er justeret korrekt, om de sidder ordentligt fast, om der er dele, der er gået i stykker, og alle andre forhold, der kan påvirke driften af pumpen. Hvis pumpen er beskadiget, så få den repareret inden brug. En dårligt vedligeholdt pumpe kan forårsage ulykker.

- Ved arbejde inden i maskinen, bør batteriet tages ud. Frigiv alt det tryk, der er inde i systemet, for ethvert komponent-eftersyn.
- Tøm alle væsker fra systemet forud for et eftersyn.
- Inspicer regelmæssigt pumpens og systemets komponenter, tjek for svage og/eller slidte slanger. Tjek pumpehjulet for slitage eller blokering. Sørg for at sikre dig, at alle tilslutninger er sikre.
- Når en pumpe serviceres, så brug kun identiske reservedele. Følg instruktionerne i denne manuals vedligeholdelsesafsnit. Brug af uautoriserede dele eller manglende overholdelse af vedligeholdelsesinstruktioner kan skabe en risiko for elektrisk stød eller kvæstelse og det kan gøre garantien ugyldig.
- Foretag ikke ændringer af pumpen eller batteripakken og prøv ikke at reparere dem, bortset fra sådan som det står i brugs- og vedligeholdelsesvejledningen.
- Rengøring og vedligeholdelse må ikke udføres af børn, uden at de er under Opsigt.

Værktøjet må kun bruges, hvis det er i ubeskadiget tilstand.

Reparation bør kun udføres af kvalificerede personer og ved hjælp af originale reservedele, da dette ellers kan resultere i betydelig fare for brugeren.

Rengør maskinen og beskyttelsesudstyret med en tør klud.

Nogle rengøringsmidler beskadiger plast eller andre isolerede dele.

Regelmæssig vedligeholdelse og rengøring sørger for en lang holdbarhed og en sikker håndtering.

Service og serviceintervaller skal ubetinget overholdes.

Gennemfør kun servicearbejde, som er beskrevet i driftsvejledningen.

Brug kun Milwaukee-tilbehør og Milwaukee-reservedele.

Komponenter, hvor udskiftningsproceduren ikke er beskrevet, skal skiftes ud hos et Milwaukee-servicested (se brochure garanti/kundeserviceadresse).

Ved opgivelse af type nr. der er angivet på maskinens effektskilt, kan de rekvirere en reservedelstegning, ved henvendelse til: Techtronic Industries GmbH, Max-Eyth-Straße 10, 71364 Winnen, Germany.

FEJLFINDING

PROBLEM	ÅRSAG	RETTELSE
Pumpen vil ikke køre.	Blokering af pumpehjul.	Se „Udskiftning/rensning af pumpehjul“.
Strømnings-hastigheden er for lav.	Indløbs-/udløbsledningen er tilstoppet eller beskadiget. Indløbstilslutning er ikke lufttæt. Pumpehjellets hætte sidder ikke stramt og sikkert. Pumpehjul slidt.	Udskift indløbs-/udløbsledning. Tjek ledninger for blokeringer, knæk eller bøjninger. Fjern blokeringer. Stram indløbsstilslutning, tilføj teflontape eller en pakning, hvis det er nødvendigt. Stram fire (4) dækskruer med hånden. Se „Udskiftning/rensning af pumpehjul“.
Nedlukning af pumpe.	Nedlukning af tør pumpe. Låst pumpehjul. Batteri installeret når pumpen er tændt.	Korriger situationen, sluk så for værktøjet og tænd igen for at nulstille.
Nedlukning pga. for høj temperatur	Blokeret udløbsledning. Udløbsledning for høj. Udløbsledning for lang. Pumpe TÆNDT i for lang tid.	Lad pumpen køle. Korriger situationen, sluk så for værktøjet og tænd igen for at nulstille.

SYMBOLER



VIGTIGT! ADVARSEL! FARE!



Læs brugsanvisningen nøje før ibrugtagning.



Brug høreværn!



Når der arbejdes med maskinen, skal man have beskyttelsesbriller på.



Ikke til brandbare eller kaustiske kemiske væsker.



Max. temperatur for den væske, der skal overføres, må ikke overskride 60 °C (140 °F).



Forsigtig! Ikke for stærkt og stram ikke med tang.



Ikke frostbestandig



Max. konstant køretid 1 t.



Hold tilskuere, børn og gæster væk, når pumpen betjenes.



- Maskinen er kun egnet til indendørsbrug, maskinen må ikke udsættes for regn.



Ved arbejde inden i maskinen, bør batteriet tages ud.



Reserve del - Ikke inkluderet i standardudstyret, fås som en reservedel.



Elektrisk udstyr eller (genopladelige) batterier må ikke bortskaffes sammen med det almindelige husholdningsaffald. Elektrisk udstyr og genopladelige batterier skal indsamles særskilt og afleveres hos en genbrugsvirksomhed til en miljømæssig forsvarlig bortskaffelse. Spørg de lokale myndigheder eller din forhandler om genbrugsstationer og indsamlingssteder til sådant affald.

V Spænding



Jævnstrøm



Europæisk konformitetsmærke



Ukrainsk konformitetsmærke



Eurasisk konformitetsmærke



TEKNISKE DATA Kompakt overføringspumpe	M18 BTP
Produksjonsnummer	4742 30 01 000001-999999
Spenning vekselbatteri	18 V
Verneklasse	IPX4
Gjennomstrømningsmengde maks.	30,3 l/min
Hodehøyde maks.	23 m
Løftehøyde maks.	5,5 m
Vanntemperatur maks.	60 °C
Lufttemperatur maks.	40 °C
Pumpetilpasning	13 mm (1/2") NPT utvendige gjenger på 19 mm (3/4") BSPT utvendige gjenger
(Slange)	19 mm (3/4") BSPT innvendig gjenge
Kontinuerlig kjøretid maks.	1 h
Vekt uten byttebatteri	3,4 kg
Vekt i henhold til EPTA-Prosedyren 01/2014 (Li-Ion 2,0 Ah ... 12,0 Ah)	4,0 kg..., 5,1 kg
Anbefalte batteripakker	M18B...M18HB
Anbefalte ladere	M12-18...; M1418C6



Nor

⚠ ADVARSEL Les alle sikkerhetsanvisninger, instruksjer, bildeforklaringer og data som fulgte med maskinen. Hvis du ikke følger følgende anvisninger, kan det oppstå elektriske støt, ild og/eller store skader.

Ta godt vare på alle advarslene og informasjonene.

⚠ SIKKERHETSINSTRUKSJONER FOR PUMPER

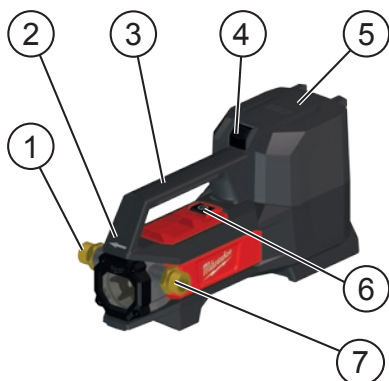
- Ikke plasser pumpen under vann eller i våte områder. Plasser pumpen kun i tørre områder.
- OBS! Fare for strømslag. Ledningen skal IKKE kobles til pumpen.
- Pumpen skal ikke brukes til å pumpe brennbare eller eksplosive væsker slik som bensin, fyringsolje, parafin, osv. Bruk aldri apparatet i rom hvor eksplosjoner kan utløses.
- Ikke pump vann med en temperatur over 60 °C (140 °F). Pump ikke sand, partikler eller større skrot. Dette vil ødelegge pumpen.
- Ikke la pumpen kjøre tørr i mer enn 10 sekunder. Skru av pumpen med en gang jobben er ferdig. Fjern batteriet før du monterer eller har service på pumpen.
- Ikke la pumpen operere uten tilsyn. Hvis du ikke følger denne advarselen, kan det føre til personskade og/eller død.
- Fjern batteriet før du monterer eller har service på pumpen. Ikke bruk pumpen med våte hender eller mens du står på en våt eller fuktig overflate eller i vann. Dette kan føre til dødelig elektrisk støt.
- Sikre tappeslangen før du starter pumpen. En tappeslange som er løs kan piske rundt. Dette kan resultere i personskade og/eller død.
- Ikke bruk pumpen hvis bryteren ikke skrur den av eller på. Pumper som ikke kan kontrolleres med bryteren er farlige og må på reparasjon.
- Ikke bruk pumpen i eksplosive atmosfærer, som i nærvær av brennbare væsker, gass eller støv. Motoren kan slå gnister som vil antenne støvet i røkgassene.

- Kle deg riktig. Ikke bruk løstsittende klær eller smykker. Hold hår, klær og hansker unna bevegelige deler. Bruk hodeplagg for å holde langt hår på plass. Løse klær, smykker eller langt hår kan sette seg fast i bevegelige deler.
- Ikke len Dem for langt ut og pass hele tiden på at De holder balansen. Godt fotfeste og balanse gir bedre kontroll i uventede situasjoner.

Dette apparatet er ikke egnet for bruk av personer (også barn) med innskrenket kroppslige, sensoriske eller psykiske evner eller manglende erfaring hhv. fagkunnskap hvis de ikke får veiledning og passet på av en person som er ansvarlig for deres sikkerhet. Når det gjelder barn, så må man holde dem under oppsyn hele tiden for å kunne være sikker på at de ikke leker seg med apparatet.

Barn skal ikke leke med apparatet.

Rengjøring og vedlikehold skal ikke utføres av barn uten tilsyn.



- | | |
|--|------------------------|
| ① Utløp | ④ Knapp for batterihus |
| ② Indikator for gjennomstrømningsretning | ⑤ Batterihus |
| ③ Håndtak | ⑥ På/Av-knapp |
| | ⑦ Innløp |

YTERLIGE SIKKERHETS- OG ARBEIDSIKKEINSTRUKSJONER

- Ikke til drikkevann eller andre drikkbare væsker.
- Fjern alltid batteriet fra pumpen før du gjør justeringer, endrer tilbehør eller lagring av apparatet. Slike forebyggende sikkerhetstiltak reduserer risikoen for å starte apparatet ved et uhell.
- Hold håndtakene og gripeoverflatene tørre, rene og fri for olje og fett. Glatte håndtak og gripeoverflater åpner for usikker bruk og mindre kontroll av verktøyet i uventede situasjoner.
- Hold tilskuere, barn og besøkende på avstand mens du opererer pumpen. Distraksjoner vil resultere i feil.
- Vær årvåken, se hva du gjør og bruk sunn fornuft når du opererer pumpen. Ikke prøv å operere pumpen mens du er trøtt eller påvirket av narkotika, alkohol eller medisiner. Et sekunds uoppmerksomhet kan forårsake alvorlige personskader.
- Bruk sikkerhetsutstyr. Bruk alltid vernebriller. Det må brukes støvmaske, vernesko med antiskli og hjelm når forholdene krever dette.
- Ved hyppig bruk av verktøyet kan man tenke at man har full kontroll, men ikke bli for selvsikker og ignorer sikkerhetsprinsippene for verktøyet. En uforsiktig handling kan forårsake alvorlig skade i en brøkdal av et sekund.
- Ikke pump vann fra bekker, dammer eller kilder hvor fremmedlegemer kan bli sugd inn i pumpen. Faste emner kan gå inn i innløpslansen.
- Hold arbeidsområdet rent og godt belyst. Rot og mørke områder øker risikoen for ulykker.
- Bare for innendørs bruk.
- Bruker slanger med 19 mm (3/4") BSPT feminint gjenget rørdel i messing.
- En slange som tåler hard slitasje bør brukes som innløpslange for å forhindre at slangen kollapser. For best resultat, bruk korte slanger med stor diameter, for eksempel en hageslange som er 183 cm (6') lang med indre diameter på 19 mm (3/4"). Lengre og tynnere slanger kan redusere ytelsen og gjennomstrømningsmengde.

- En vanlig hageslange kan brukes som utløpslange.

FORMÅLSMESSIG BRUK

Pumpen er utviklet til å tømme varmtvannsbereider, tanker og lignende bruk. Pumpen er ikke vannrett eller værbestandig og er ikke tenkt til bruk utendørs, i dusj, badstue eller andre potensielt våte områder.

Pumpen har kun blitt evaluert for bruk med rent vann. Den er ikke utviklet for å håndtere saltvann, saltlake, avløpsvann fra vaskemaskin eller andre apparater som kan inneholde kaustiske kjemikalier og/eller fremmedlegemer. Pumpen er ikke egnet til bruk i vann med dyreliv.

Dette apparatet må kun brukes til de oppgitte formål.

BATTERIER

Vekselbatterier som ikke er brukt over lengre tid skal etterlades for bruk.

En temperatur over 50°C reduserer vekselbatteriets kapasitet. Unngå oppvarming i sol eller ved varmeovner (fyring) i lengre tid. Hold tilkloppingskontaktene på lader og vekselbatteriene rene.

For optimal holdbarhet må batteriene lades opp helt etter bruk. Vekselbatterier som ikke er brukt over lengre tid skal etterlades før bruk.

For å sikre en lengst mulig brukstid av batteriene skal disse etter oppladning taes ut av laderen.

Ved lagring av batteriene lengre enn 30 dager: Lagre batteriet tørt ved ca. 27°C. Lagre batteriet ved en oppladningstilstand på ca. 30%-50%. Lade opp batteriet igjen etter 6 måneder.

Ikke kast brukte vekselbatterier i varmen eller husholdningsavfallet. Milwaukeee tilbyr en miljøriktig deponering av gamle vekselbatterier; vennligst spør din fagforhandler.

Ikke oppbevar vekselbatterier sammen med metallgjenstander (kortslutningsfare).

Vekselbatterier av systemet M18 skal kun lades med lader av systemet M18. Ikke lad opp batterier fra andre systemer.

Ikke åpne vekselbatterier og ladere, de skal oppbevares i tørre rom. Beskyttes mot fuktighet.

Under ekstreme belastninger og ekstreme temperaturer kan det lekke ut batterivæske fra utskiftbare batterier. Ved berøring med batterivæske, vask umiddelbart med såpe og vann. Ved kontakt med øynene må øynene skylles grundig i rennende vann i minst 10 minutter. Oppsøk lege umiddelbart.

Metalldeleer må ikke komme inn i innskyvningssjakten for vekselbatterier på ladere (kortslutningsfare).

OVERBELASTNINGSVERN FOR OPPLADBARE BATTERIER

Ved overbelastning av det oppladbare batteriet på grunn av svært høyt strømforbruk f.eks. ved ekstremt høye dreiemomenter, hekking av verktøy som monteres på, plutselige stopp eller kortslutning, stopper elektroverktøyet i 2 sekund og så slår det seg selvstendig av.

For gjeninnkobling, slipp løs bryteren og slå så på igjen.

Ved ekstreme belastninger kan det oppladbare batteriet bli sterkt opphetet. I slike tilfeller kobler batteriet seg ut.

Sett batteriet da i laderen for å få det oppladet og aktivert igjen

TRANSPORT AV LITIUM-ION-BATTERI

Litium-ion-batterier faller under de lovfestede forskriftene om transport av farlig gods.

Transporten av disse batteriene må rette seg etter lokale, nasjonale og internasjonale forskrifter og bestemmelser.

Forbruker har lov å transportere disse batteriene på gaten uten reglementering.

Den kommersielle transport av Litium-ion-batterier av spedisjonsfirma faller under bestemmelsene om transport av farlig gods. Forberedningene av forsendelsen og transport skal utelukkende gjennomføres av personer som har blitt skolert til dette. Hele prosessen skal følges opp av fagfolk.

Følgende punkter skal tas hensyn til ved transport:

Kontroller at kontaktene er beskyttet og isolert for å unngå kortslutninger. Pass på at batteripakken i forpakningen ikke kan skli fram og tilbake. Skadede eller batterier som lekker er det ikke lov å transportere. Ta kontakt med spedisjonsfirma for ytterlige henvisninger.



VEDLIKEHOLD

Vedlikehold pumpe og tilbehør. Sjekk om bevegelige deler trenger justering eller må festes, eller om noen deler er ødelagte eller andre forhold som kan påvirke driften. Hvis pumpen blir skadet, må den repareres før neste bruk. En dårlig vedlikeholdt pumpe kan forårsake ulykker.

- Ta ut vekselbatteriet før du arbeider på maskinen Slipp ut alt trykket i systemet før det utføres service på komponentene.
- Drener bort all væske fra systemet før det utføres service.
- Inspiser pumpen og systemkomponentene regelmessig, og sjekk for svake og/eller slitte slanger. Kontroller viftehjulet for slitasje eller blokkeringer. Kontroller at alle koblinger er sikre.
- Bruk kun identiske reservedeler ved service på pumpen. Følg instruksjonene i Vedlikeholds-delen i denne håndboken. Bruk av uautoriserte deler eller unnlattelse av å følge vedlikeholdsinstruksene kan medføre fare for elektrisk støt eller skade, og kan føre til at garantien blir ugyldig.
- Ikke modifierer eller forsøk å reparere pumpen eller batteriet, unntatt som angitt i bruksanvisningen for bruk og vedlikehold.
- Rengjøring og vedlikehold skal ikke utføres av barn uten tilsyn.

Apparatet skal bare brukes hvis det er i uskadet tilstand.

Reparasjoner skal bare utføres av kvalifiserte personer og kun med originale reservedeler, unntatt av dette kan medføre betydelig fare for brukeren.

Rengjør apparatet og verneinnretningen med en tørr klut.

Noen rensedmidler skader plastikken eller andre isolerte deler.

Regelmessig vedlikehold og rengjøring sørger for lang levetid og sikker håndtering.

Vedlikehold og vedlikeholdsintervaller må alltid inneholdes.

Det må kun utføres vedlikeholdsarbeider som er beskrevet i driftsinstruksjonen.

Bruk kun Milwaukee tilbehør og Milwaukee reservedeler. Komponenter der utskiftning ikke er beskrevet skal skiftes ut hos Milwaukee kundeservice (se brosjyre garanti/kundeserviceadresser).

Ved behov kan du be om en eksplosjonstegning av apparatet hos din kundeservice eller direkte hos Techtronic Industries GmbH, Max-Eyth-Straße 10, 71364 Winnenden, Germany. Oppgi maskintype og det nummeret på typeskiltet.

FEILSØKING

PROBLEM	ÅRSAK	KORRIGERING
Pumpen starter ikke.	Blokkering av viftehjulet.	Se «Bytte/rengjøring av viftehjul»
Gjennomstrømningsmengden er for lav.	Innløp-/utløpsrør er blokkert eller skadet. Innløpskoblingen er ikke lufttett. Dekslet til viftehjulet er ikke festet godt nok. Viftehjulet er slitt ut.	Bytt ut innløps-/utløpsrør. Kontroller rørene for blokkeringer, knekker eller bøyninger. Fjern blokkeringer. Skrut ut innløpskoblingen, legg på teflontape eller en pakning om nødvendig. Skrut til fire (4) dekselskruer for hånd. Se «Bytte/rengjøring av viftehjul»
Driftsstans på pumpe.	Driftsstans på tørr pumpe. Låst viftehjul. Batteriet er installert når pumpen er på.	Korriger situasjonen, skru verktøyet av og deretter på igjen for å resette den.
Driftsstans ved overtemperatur	Blokkert utløpsrør. Utløpsrør for høyt. Utløpsrør for langt. Pumpen var PÅ for lenge.	La pumpen kjøle seg ned. Korriger situasjonen, skru verktøyet av og deretter på igjen for å resette den.

SYMBOLER



OBS! ADVARSEL! FARE!



Les nøye gjennom bruksanvisningen før maskinen tas i bruk.



Bruk hørselsvern!



Bruk alltid vernebrille når du arbeider med maskinen.



Ikke for brennbare væsker eller kaustiske kjemikalier.



Maks. temperatur på væsken som blir overført må ikke overstige 60 °C (140 °F).



Forsiktig! Ikke for stramt og ikke stram med tang.



Ikke frostbestandig



Maks. kontinuerlig kjøretid er 1 t.



Hold tilskuere, barn og besøkende på avstand mens du opererer pumpen.



Apparatet er kun egnet for bruk innendørs, det må ikke utsettes for regn.



Ta ut vekselbatteriet før du arbeider på maskinen



Reserve del - Ikke inkludert i standardutstyret, tilgjengelig som reservedel.



Elektriske apparater, batterier/oppladbare batterier skal ikke kastes sammen med vanlig husholdningsavfall. Elektriske og elektroniske apparater og oppladbare batterier skal samles separat og leveres til miljøvennlig deponering hos en avfallsbedrift. Informer deg hos myndighetene på stedet eller hos din fagforhandler hvor det finnes recycling bedrifter og oppsamlingssteder.

V Spenning



Likestrøm



Europeisk samsvarsmerke



Ukrainsk samsvarsmerke



Euroasiatisk samsvarsmerke



TEKNISKA DATA Kompakt transportpump	M18 BTP
Produktionsnummer	4742 30 01 000001-999999
Batterispänning	18 V
Skyddsklass	IPX4
Pumpflöde max.	30,3 l/min
Uppfordringshöjd max.	23 m
Sughöjd max.	5,5 m
Vattentemperatur max.	60 °C
Lufttemperatur max.	40 °C
Slangkoppling	13 mm (1/2") NPT yttergånga på 19 mm (3/4") BSPT yttergånga
(Slang)	19 mm (3/4") BSPT invändig gånga
Kontinuerlig drifttid max.	1 h
Vikt utan växelbatteri	3,4 kg
Vikt enligt EPTA 01/2014 (Li-Ion 2,0 Ah ... 12,0 Ah)	4,0 kg..., 5,1 kg
Rekommenderade batterier (Akkupacks)	M18B...M18HB
Rekommenderade laddare	M12-18...; M1418C6



⚠ VARNING Läs alla säkerhetsanvisningar, instruktioner, beskrivningar och uppgifter som du får tillsammans med apparaten. Om nedanstående anvisningar ignoreras finns risk för att elstöt, brand och/eller allvarliga personskador uppstår. **Förvara alla varningar och anvisningar för framtida bruk.**

⚠ SÄKERHETSANVISNINGAR FÖR PUMPAR

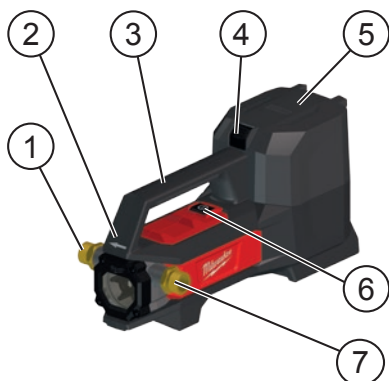
- Placera inte pumpen under vatten eller i våtutrymmen. Placera pumpen endast på torra platser.
- Varning! Risk för elektriska stötar! Anslut INGEN rörledning till pumpen.
- Pumpa inte brandfarliga eller explosiva vätskor som till exempel bensin, brännolja, fotogen osv. Använd apparaten inte där det finns risk för explosion.
- Pumpa inte vatten med en temperatur över 60 °C (140 °F). Pumpa inte sand, ämnen som består av partiklar eller stora spillror. Det orsakar skador på pumpen.
- Låt inte pumpen gå torr i längre än 10 sekunder. Stäng snabbt av pumpen när arbetet är klart. Ta alltid bort batteriet innan du försöker installera eller utföra service på pumpen.
- Låt inte den här pumpen arbeta utan tillsyn. Om den här varningen inte följs, kan det leda till personskador och/eller döden.
- Ta alltid bort batteriet innan du försöker installera eller utföra service på pumpen. Hantera aldrig pumpen med våta händer eller när du står på en våt eller fuktig yta eller i vatten. Det finns risk för en livsfarlig elektrisk stöt.
- Säkra tömningsslangen innan du startar pumpen. En osäkrad tömningsslang kan slungas runt. Det kan leda till personskador och/eller döden.
- Använd inte pumpen om det inte går att slå på och stänga av den med strömbrytaren. En pump som inte kan styras med strömbrytaren är farlig och måste repareras.

- Använd inte pumpen i explosiva miljöer, som till exempel i närvaro av brandfarliga vätskor, gaser eller damm. Motorer alstrar gnistor som antänder dammet eller ångorna.
- Klä dig rätt. Bär inte löst sittande kläder eller smycken. Håll ditt hår, dina kläder och handskar borta från rörliga delar. Använd hårskydd om du har långt hår. Löst sittande kläder, smycken eller långt hår kan fastna i rörliga delar.
- Luta dig inte ut för långt och se till att du alltid håller balansen. Bra fotfäste och balans möjliggör en bättre kontroll i oväntade situationer.

Denna apparät är inte avsedd att användas av personer (inklusive barn) med nedsatt fysisk, sensorisk eller psykisk förmåga eller bristande erfarenhet respektive fackkunskap annat än om en person som kan ansvara för säkerheten har instruerat dessa personer eller har dem under uppsikt. Barn ska alltid hållas under uppsikt för att säkerställa att de inte leker med apparaten.

Låt inte barn leka med enheten.

Barn får bara göra rengöring och skötsel under uppsikt.



- | | |
|------------------------------|---------------|
| ① Utlopp | ⑤ Batterifack |
| ② Flödesindikatorns riktning | ⑥ På/av-knapp |
| ③ Handtag | ⑦ Inlopp |
| ④ Batterifackets knapp | |

ÖVRIGA SÄKERHETS- OCH ANVÄNDNINGSPÅSÄTTNINGAR

- Ej avsedd för dricksvatten eller andra drickbara vätskor.
- Ta alltid bort batteriet från pumpen innan du gör några justeringar, byter tillbehör eller ställer undan apparaten. Sådana förebyggande säkerhetsåtgärder minskar risken för att apparaten startas oavsiktligt.
- Håll handtag och greppytor torra, rena och fria från olja och fett. Håll handtag och greppytor ger ingen säker hantering och kontroll över verktyget i oförutsedda situationer.
- Håll kringstående personer, barn och besökare på avstånd när du arbetar med pumpen. Distractioner leder till fel.
- Var alltid uppmärksam, håll ögonen på vad du gör och använd sunt förnuft när du arbetar med den här pumpen. Försök inte att använda den här pumpen när du är trött eller påverkad av droger, alkohol eller medicin. Ett ögonblick av uppmärksamhet kan orsaka allvarliga personskador.
- Använd säkerhetsutrustning. Använd alltid ögonskydd. Dammfiltermask, halksäkra skyddsskor och skyddshjälm måste användas för lämpliga förhållanden.
- Låt inte den vana och erfarenhet som du har fått genom att ofta använda verktyg göra att du blir självbelåten och nonchalerar verktygets säkerhetsprinciper. En vårdslös handling kan leda till en allvarlig skada inom bråkdel av en sekund.
- Pumpa inte vatten från någon bäck, damm eller källa där främmande föremål kan sugas in i pumpen. Fasta partiklar kan komma in i inloppsslangen.
- Se till att arbetsområdet är rent och ordentligt upplyst. Belamrade eller mörka områden kan ge upphov till olyckor.
- Endast för inomhusbruk.
- Använd slang med 19 mm (3/4") honkoppling av mässing med BSPT-gänga.
- En extra kraftig slang bör användas som inloppsslang för att förhindra att slangen spricker. För bästa resultat ska du använda en kort slang med stor diameter, som till exempel en 183 (6') cm lång trädgårdsslang med 19 mm (3/4") inre diameter. Längre eller

- smälare slangar kan minska prestandan och pumpflödet.
- En vanlig trädgårdsslang kan användas som utloppsslang.

ANVÄND MASKINEN ENLIGT ANVISINGARNA

Den här pumpen är konstruerad för att till exempel tömma varmvattenberedare, tankar osv. Pumpen är varken tätentät eller väderbeständig och är inte avsedd att användas utomhus eller i duschar, bastur eller på andra potentiellt våta platser.

Den här pumpen har utvärderats för användning med endast rent vatten. Den är inte avsedd att hantera havsvatten, saltvatten, avloppsvatten från tvättmaskiner eller någon annan vätska som kan innehålla frätande kemikalier och/eller främmande material. Den här pumpen är inte lämplig att användas för vattenlevande organismer.

Maskinen får endast användas för angiven tillämpning.

BATTERIER

Batteri som ej använts på länge måste laddas före nytt bruk.

En temperatur över 50°C reducerar batteriets effekt. Undvik längre uppvärmning tex i solen eller nära ett element.

Se till att anslutningskontaktarna i laddaren och på batteriet är rena.

För att batterierna ska få lång livslängd ska de laddas fulla efter användning. Batteri som ej använts på länge måste laddas före nytt bruk.

För att få en så lång livslängd som möjligt bör laddningsbara batterier avlägsnas från laddaren när de är laddade.

Om laddningsbara batterier lagras längre än 30 dagar: Lagra batteriet torrt och vid ca 27°C. Lagra batteriet vid ca 30%-50% av laddningskapaciteten. Ladda batterierna på nytt var 6:e månad.

Kasta inte förbrukade batterier. Lämn dem till Milwaukee Tools för återvinning.

Förvara ej batteriet ihop med metallföremål, kortslutning kan uppstå.

System M18 batterier laddas endast i System M18 laddare. Ladda inte batterier från andra system.

Batterier lagras torrt och skyddas för fukt.

Under extrem belastning eller extrem temperatur kan batteri-vätska tränga ut ur skadade utbytesbatterier. Vid beröring med batteri-vätska tvätta genast av med vatten och tvål. Vid ögonkontakt spola genast i minst 10 minuter och kontakta genast läkare.

Se upp så att inga metallföremål hamnar i laddarens batterischakt, kortslutning kan uppstå.

BATTERI-ÖVERBELASTNINGSSKYDD

Vid överbelastning av batteriet genom mycket hög strömbrukning, t.ex. vid extremt höga vridmoment, om insatsverktyget kläms fast, ett plötsligt stopp eller vid kortslutning, stoppas elverket i 2 sekunder och stängs sedan automatiskt av.

För att sedan sätta på elverket igen släpper du tryckbrytaren och tillkopplar sedan verktyget igen.

Vid extrem belastning kan batteriet bli väldigt varmt. I ett sådant fall stängs batteriet av automatiskt.

Sätt då batteriet i laddaren för att ladda upp och aktivera det igen.

TRANSPORTERA LITIUMJON-BATTERIER

För litiumjon-batterier gäller de lagliga föreskrifterna för transport av farligt gods på väg.

Därför får dessa batterier endast transporteras enligt gällande lokala, nationella och internationella föreskrifter och bestämmelser.

Konsumenter får transportera dessa batterier på allmän väg utan att behöva beakta särskilda föreskrifter.

För kommersiell transport av litiumjon-batterier genom en speditiönsfirma gäller emellertid bestämmelserna för transport av farligt gods på väg. Endast personal som känner till alla tillämpliga föreskrifter och bestämmelser får förbereda och genomföra transporten. Hela processen ska följas upp på fackmässigt sätt.

Följande ska beaktas i samband med transporten av batterier::

Säkerställ att alla kontakter är skyddade och isolerade för att undvika kortslutning. Se till att batteripacken inte kan glida fram och tillbaka i förpackningen. Transportera aldrig batterier som läcker, har runnit ut eller är skadade. För mer information vänligen kontakta din speditiönsfirma.



Sve

SKÖTSEL

Håll pumpen och tillbehöret i gott skick. Kontrollera med avseende på rörliga delar som är felaktigt uppriktade eller kärvar, brott på delar och andra förhållanden som kan påverka pumpens funktion. Om pumpen är skadad, måste den repareras innan den används. Olyckor kan orsakas av en pump som underhålls dåligt.

- Drag ur batteripaket innan arbete utföres på maskinen. Släpp ut allt tryck ur systemet innan du utför service på någon komponent.
- Töm ut alla vätskor ur systemet innan du utför service.
- Inspektera pumpens och systemets komponenter periodiskt och kontrollera om slangarna är svaga och/eller slitna. Kontrollera pumpshjulet med avseende på slitage eller blockering. Kontrollera att alla anslutningar sitter ordentligt fast.
- Använd bara identiska reservdelar när du utför service på pumpen. Följ anvisningarna i underhållsavsnittet i den här bruksanvisningen. Användning av icke godkända delar eller underlåtenhet att följa underhållsanvisningar kan orsaka risk för elektrisk stöt eller skada och leda till att garantin upphör att gälla.
- Ändra inte och försök inte att reparera pumpen eller batteriet såvida det inte anges i bruks- och skötselavsnittet.
- Barn får bara göra rengöring och skötsel under uppsikt.

Apparaten får endast användas om den är i oskadat skick.

Reparationer bör endast utföras av kvalificerade personer som använder original reservdelar. I annat fall kan användaren utsättas för allvarliga risker.

Rengör både verktyget och skyddsanordningen med en torr trasa. En del rengöringsmedel skadar plastmaterialet eller andra isolerade delar på verktyget.

Regelbundet underhåll och regelbunden rengöring är förutsättning för en lång livslängd och säker användning.

Genomför absolut allt föreskrivet underhåll och beakta underhållsintervallerna.

Utför endast de servicearbeten som beskrivs i bruksanvisningen.

Använd endast Milwaukee-tillbehör och Milwaukee-reservdelar. Komponenter, för vilka inget byte beskrivs, skall bytas ut hos Milwaukee-kundtjänst (se broschyren garanti-/kundtjänstadresser).

Vid behov av sprängskiss, kan en sådan, genom att uppge maskinens art. nr. (som finns på typskylten) erhållas från: Techtronic Industries GmbH, Max-Eyth-Strasse 10, 71364 Winnenden, Germany.

FELSÖKNING

PROBLEM	ORSAK	AVHJÄLPANDE
Pumpen går inte.	Blockerat pumpshjul.	Se "Byta ut/rensa pumpshjul".
Pumpflödet är för lågt.	Inlopps-/utloppsledningen är igensatt eller skadad. Inloppsanslutningen är inte lufttät. Pumpshjulet skydd sitter inte ordentligt tätt. Pumpshjulet är slitet.	Byt ut inlopps-/utloppsledningen. Kontrollera ledningarna med avseende på igensättningar, trassel eller krökar. Ta bort igensättningar. Dra åt inloppsanslutningen. Använd teflonband eller en tätning om det behövs. Dra åt de fyra (4) täckskruvorna för hand. Se "Byta ut/rensa pumpshjul".
Pumpen stannar.	Stopp på grund av torrkorning. Låst pumpshjul. Batteriet har installerats när pumpen var påslagen.	Korrigeras situationen. Stäng sedan av verktyget och slå på det igen för att återställa.
Stopp på grund av övertemperatur	Igensatt utloppsledning. Utloppsledningen är för högt upp. Utloppsledningen är för lång. Pumpen har varit påslagen för länge.	Låt pumpen svalna. Korrigeras situationen. Stäng sedan av verktyget och slå på det igen för att återställa.

SYMBOLER



OBSERVERA! VARNING! FARA!



Läs instruktionen noga innan du startar maskinen.



Använd hörselskydd!



Använd alltid skyddsglasögon.



Ej avsedd för brandfarliga eller frätande kemiska vätskor.



Maxtemperaturen på den vätska som ska transporteras får inte överstiga 60 °C (140 °F).



Var försiktig! Inte för fast och dra inte åt med tänger.



Ej frosttålig



Maximal kontinuerlig drifttid 1 tim.



Håll kringstående personer, barn och besökare på avstånd när du arbetar med pumpen.



Aggregatet är endast lämpad att användas inomhus, Får ej utsättas för regn.



Drag ur batteripaket innan arbete utföres på maskinen.



Reservdel – ingår inte i standardutrustningen, tillgänglig som reservdel.



Elektriska maskiner, batterier/uppladdningsbara batterier och får inte slängas tillsammans med de vanliga hushålls-soporna. Elektriska maskiner och uppladdningsbara batterier ska samlas separat och lämnas till en avfallsstation för miljövänlig avfallshantering. Kontakta den lokala myndigheten respektive kommunen eller fråga återförsäljare var det finns speciella avfallsstationer för elskrot.

V Spänning



Likström



Europeiskt konformitetsmärke



Ukrainskt konformitetsmärke



Euroasiatiskt konformitetsmärke



TEKNISET ARVOT Kompakti siirtopumppu	M18 BTP
Tuotantnumero	4742 30 01 000001-999999
Jännite vaihtoakku	18 V
Suojaluokka	IPX4
Virtausnopeus maks.	30,3 l/min
Pääkorkeus maks.	23 m
Nostokorkeus maks.	5,5 m
Veden lämpötila maks.	60 °C
Lämpötilassa maks.	40 °C
Pumpun asennus	13 mm (1/2") NPT ulkokierre 19 mm (3/4") BSPT ulkokierre
(Letku)	19 mm (3/4") BSPT sisäkierre
Jatkuva käyntiaika maks.	1 h
Paino ilman vaihtoakun kera	3,4 kg
Paino EPTA-menetelyn 01/2014 mukaan (Li-Ion 2,0 Ah ... 12,0 Ah)	4,0 kg..., 5,1 kg
Suosittelut akkusarjat	M18B...M18HB
Suosittelut latauslaitteet	M12-18...; M1418C6



Suo

VAROITUS Lue kaikki varoimenpiteet, ohjeet, kuvalliset esitykset ja tiedot, jotka toimitetaan laitteen mukana. Ellet noudata seuraavia ohjeita, saattaa se johtaa sähköiskun, tulipaloon ja/tai vaikeisiin loukkaantumisiin. **Säilytä kaikki turvallisuus- ja muut ohjeet tulevaisuutta varten.**

PUMPPUJEN TURVALLISUUSOHJEET

- Älä sijoita pumppua veden alle tai märkiin tiloihin. Sijoita pumppu vain kuiviin tiloihin.
- Huomio! Sähköiskun vaara. ÄLÄ yhdistä johtoa pumppuun.
- Älä pumpppaa syttyviä tai räjähtäviä nesteitä, kuten bensa, polttoöljyä, kerosiinia jne. Laitetta ei saa käyttää räjähdysvaarallisissa tiloissa.
- Älä pumpppaa vettä, jonka lämpötila ylittää 60 °C (140 °F). Älä pumpppaa hiekkaa, pienhiukkasia tai suuria jäämiä. Pumppu vaurioituu.
- Älä anna pumpun käydä kuivana yli 10 sekuntia. Sammuta pumppu nopeasti työn päättämisen jälkeen. Poista akku aina ennen pumpun asentamista tai huoltamista.
- Älä anna pumpun käydä ilman valvontaa. Ohjeen noudattamatta jättäminen voi aiheuttaa henkilövahinkoja ja/tai kuoleman.
- Poista akku aina ennen pumpun asentamista tai huoltamista. Älä koskaan käsittele pumppua kosteilla käsillä tai seistessäsi märällä tai kostealla pinnalla tai vedessä. Seurauksena voi olla kuolettava sähköisku.
- Kiinnitä poistoletku ennen pumpun käynnistämistä. Irtonainen poistoletku voi vispata. Tästä voi seurata henkilövahinkoja ja/tai kuolema.
- Älä käytä pumppua jos sitä ei kytketä päälle ja pois kytkimellä. Pumppu, jota ei voida ohjata kytkimellä, on vaarallinen ja korjattava.
- Älä käytä pumppua räjähtävissä ympäristöissä, kuten syttyvien nesteiden, kaasujen tai pölyn lähellä. Moottorit synnyttävät

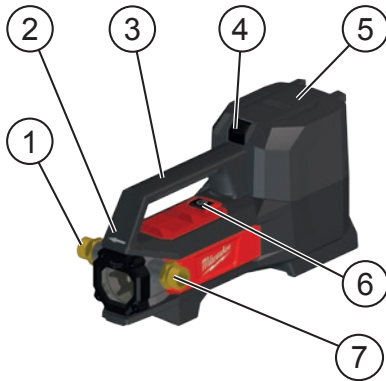
kipinöitä, jotka sytyttävät höyryjen pölyn.

- Käytä sopivaa vaatetusta. Älä käytä löysiä vaatteita tai koruja. Pidä hiukset, vaatteet ja käsiinets poissa liikkuvista osista. Suojaa pitkät hiukset hiusverkolla. Löysät vaatteet, korut tai pitkät hiukset voivat jäädä kiinni liikkuviin osiin.
- Älä kurottele liian pitkälle, vaan säilytä aina tasapainosi. Oikeat jalansijat ja tasapaino auttavat hallitsemaan odottamattomia tilanteita paremmin.

Tätä laitetta ei ole tarkoitettu sellaisten henkilöiden (ei myöskään lasten) käytettäväksi, joiden fyysiset, aistiperäiset tai henkiset kyvyt ovat rajoitetut, tai joilla ei ole käyttöön tarvittavaa kokemusta ja/tai ammattitaitoa, paitsi sellaisen heidän turvallisuudestaan vastuullisen henkilön valvonnassa, joka voi opastaa heitä käyttämään laitetta oikein. Lisäksi lapsia tulee valvoa, jotta he eivät missään tapauksessa voi leikkiä laitteella.

Lapset eivät saa leikkiä laitteella.

Lapset eivät saa puhdistaa tai huoltaa laitetta ilman valvontaa.



- | | |
|--------------------------|-----------------|
| ① Poisto | ⑤ Paristokotelo |
| ② Virtausmittarin suunta | ⑥ Virtanappi |
| ③ Käsi kahva | ⑦ Syöttö |
| ④ Paristokotelon nappi | |

TYÖKENTÄVIÄ TURVALLISUUSMÄÄRÄYKSIÄ JA TYÖSKENTELYOHJEITA

- Ei juomakelpoiselle vedelle tai muille juomakelpoisille nesteille.
- Poista aina pumpun akku ennen säätöjä, lisävarusteiden vaihtamista tai laitteen varastointia. Tällaisilla ennaltaehkäisevillä toimenpiteillä pienennetään laitteen tahattoman käynnistymisen vaaraa.
- Pidä kahvat ja tarttumapinnat kuivina, puhtaina, öljyttöminä ja rasvattomina. Liukkaat kahvat ja tarttumapinnat estävät työkalun turvallisen käsittelyn ja hallinnan odottamattomissa tilanteissa.
- Pidä sivulliset, lapset ja vierailijat kaukana pumpun käytön aikana. Häiriöt aiheuttavat virheitä.
- Pysy valppaana, tarkkaile tekemisiäsi ja käytä maalisjärjettä pumpun käytössä. Älä käytä pumpua oleslessi väsynyt tai oleslessi huumeiden, alkoholin tai lääkkeiden vaikutuksen alainen. Hetkellinen tarkkaamattomuus voi aiheuttaa vakavia henkilövahinkoja.
- Käytä turvallisuusvarusteita. Käytä aina silmäsuojaimia. Käytä hengityssuojainta, liukumattomia turvakengkiä ja suojakypärää oikeissa olosuhteissa.
- Älä anna työkalun tiiviin käytön tuoman kokemuksen johtaa turvallisuusperiaatteiden laiminlyömiseen. Huolimaton toiminta voi aiheuttaa vakavia vammoja sekunnin murto-osassa.
- Älä pumpppaa vettä purosta, lammesta tai kohteesta, josta voidaan imeä vieraita esineitä pumppuun. Kiinteät aineet voivat päästä syöttöletkuun.
- Pidä työalue puhtaana ja hyvin valaistuna. Likaiset tai pimeät alueet ovat vahinkoalttiita.
- Vain käyttöön sisätiloissa.
- Käytä letkuja, joissa on 19 mm:n (3/4") BSPT messinkinen naaraskiinnitys.
- Syöttöletkuna on käytettävä suurteholetkua letkun romahtamisen estämiseksi. Parhaat tulokset saadaan lyhyellä, suuren halkaisijan letkulla, kuten 183 cm (6') pituisella, sisähalkaisijaltaan 19 mm:n (3/4") puutarhaletkulla. Pidemmät tai ohuimmat letkut voivat pienentää tehoa ja virtausnopeutta.

- Poistoputkena voidaan käyttää tavanomaista puutarhaletkua.

TARKOITUKSEN MUKAINEN KÄYTTÖ

Pumppu on suunniteltu esim. vesilämmittimen, tankkien jne. tyhjentämiseen. Pumppu ei ole vesitiivis tai säänkestävä, eikä sitä ole tarkoitettu käytettäväksi ulkotiloissa, suihkuissa, sanoissa ja muissa mahdollisesti märissä tiloissa.

Pumpun käyttöä on arvioitu vain puhtaalla vedellä käyttöä varten. Pumpun käyttöä ei ole tarkoitettu suolavedellä, suolaliuoksella tai pyykinpesuainepäästöillä käytettäväksi tai muihin syövyttäviä ja/tai vieraita materiaaleja sisältäviin käyttötarkoituksiin. Tämä pumppu ei sovellu käytettäväksi vesieläiden kanssa.

Älä käytä tuotetta ohjeiden vastaisesti.

AKKU

Pitkään käyttämättä olleet vaihtoakut on ladattava ennen käyttöä.

Yli 50°C lämpötilassa akun suorituskyky heikkenee. Välttämättä akkujen säilyttämistä auringossa tai kuivissa tiloissa.

Pidä aina latauslaitteen ja akun kosketuspinnat puhtaina.

Optimaalisen käyttöiän saavuttamiseksi akut on ladattava täyteen käytön jälkeen. Pitkään käyttämättä olleet vaihtoakut on ladattava ennen käyttöä.

Mahdollisimman pitkän elinajan takaamiseksi akut tulee poistaa laturista lataamisen jälkeen.

Akkua yli 30 päivää säilytettyä: Säilytä akku yli 27 °C:ssa ja kuivassa. Säilytä akku sen latauksen ollessa 30 % - 50 %. Lataa akku 6 kuukauden välein uudelleen.

Käytettyjä vaihtoakkuja ei saa polttaa eikä poistaa normaalin jätehuollon kautta. Milwaukeella on tarjolla vanhoja vaihtoakkuja varten ympäristöystävällinen jätehuoltopalvelu.

Vaihtoakkuja ei saa säilyttää yhdessä metalliesineiden kanssa (oikosulkuvaara).

Käytä ainoastaan System M18 latauslaitetta System M18 akkujen lataukseen. Älä käytä muiden järjestelmien akkuja.

Vaihtoakkuja ja latauslaitteita ei saa avata. Säilytys vain kuivissa tiloissa. Suojattava kosteudelta.

Vaurioituneesta akusta saattaa erityisen kovassa käytössä tai poikkeavassa lämpötilassa vuotaa akkuhappoa. Ihonkohta, joka on joutunut kosketukseen akkuhapon kanssa on viipymättä pestävä vedellä ja saippualla. Silmä, johon on joutunut akkuhappoa, on huuhdeltava vedellä vähintään 10 minuutin ajan, jonka jälkeen on viipymättä hakeuduttava lääkärin apuun.

On varottava, ettei latauslaitteiden vaihtoakkulatauskoloon joudu metalliesineitä (oikosulkuvaara).

AKUN YLIKUORMITUSUOJAUS

Jos akku ylikuormittuu liian suuren virrankulutuksen vuoksi, esim. äärimmäisen suurissa vääntömomenteissa, liitetyn työkalun kiinnijuuuessa, äkkivirta-akkuhapon kanssa on oikosulussa, niin sähkötyökalu pysähtyy 2 sekunnin ajaksi ja sammuu sitten omatoimisesti.

Käynnistä laite uudelleen päästämällä katkaisinpainikkeen irti ja käynnistämällä laitteen sitten uudelleen.

Erittäin suuressa kuormituksessa saattaa akku kuumeta liikaa. Tässä tapauksessa akku kytkeytyy pois.

Työnnä akku sitten latauslaitteeseen ja lataa se jälleen, jotta se aktivoituu.



LITIUMI-IONIAKKUJEN KULJETTAMINEN

Litiumi-ioniakut kuuluvat vaarallisten aineiden kuljetuksesta annettujen lakien piiriin.

Näiden akkujen kuljettaminen täytyy suorittaa noudattaen paikallisia, kansallisia ja kansainvälisiä määräyksiä ja säädöksiä.

Kuluttajat saavat ilman muuta kuljettaa näitä akkuja teitä pitkin.

Kaupallisessa kuljetuksessa huolintaliikkeiden täytyy kuljettaa litiumi-ioniakkuja vaarallisten aineiden kuljetuksesta annettujen määräysten mukaisesti. Ainoastaan tähän vastaavasti koulutetut henkilöt saavat suorittaa kuljetuksen valmistelutoimet ja itse kuljetuksen. Koko prosessia tulee valvoa asiantuntevasti.

Seuraavat kohdat tulee huomioida akkuja kuljetettaessa:

Varmista, että akkujen kontaktit on suojattu ja eristetty, jotta vältetään lyhytsulut. Huolehdi siitä, ettei akkusarja voi luiskahtaa paikaltaan pakkauksen sisällä. Vahingoittuneita tai vuotavia akkuja ei saa kuljettaa. Pyydä tarkemmat tiedot huolintaliikkeeltäsi.

HUOLTO

Ylläpidä pumppua ja lisävarusteita. Tarkista liikkuvien osien yhden-suuntaisuus tai liittäminen, osien eheys ja kaikki muut pumpun toimintaan vaikuttavat tilat. Korjauta vaurioitunut pumppu ennen käyttöä. Huonosti huollettu pumppu voi aiheuttaa vahinkoja.

- Ota akku pois ennen kaikkia koneeseen tehtäviä toimenpiteitä. Vapauta järjestelmän paine ennen osien huoltamista.
 - Tyhjennä kaikki nesteet järjestelmästä ennen huoltoa.
 - Tarkista pumpun ja järjestelmän komponenttien letkujen heikkous ja/tai kuluminen säännöllisesti. Tarkista juoksupyörän kuluminen ja tukkeutuminen. Varmista, että kaikki liitännät ovat turvallisia.
 - Käytä pumppua huollettaessa ainoastaan identtisiä vaihtosia. Noudata tämän käyttöoppaan huolto-osion ohjeita. Valtuuttamattomien osien käyttäminen tai huolto-ohjeiden noudattamatta jättäminen voi aiheuttaa sähköiskun tai vammojen vaaran sekä kumota takuun.
 - Älä muokkaa tai yritä korjata pumppua tai akkuja muutoin kuin käyttö- ja huolto-ohjeissa kuvatulla tavalla.
 - Lapset eivät saa puhdistaa tai huoltaa laitetta ilman valvontaa.
- Käytä laitetta vain, kun se on täysin ehjässä kunnossa.

Ainoastaan ammattitaitoiset henkilöt saavat suorittaa korjaustöitä alkuperäisiä varaosia käyttäen, muutoin tästä voi aiheutua huomattava vaara käyttäjälle.

Puhdista laite ja suojavarusteet kuivalla liinalla.

Monet puhdistusaineet vahingoittavat muovia tai muita eristettyjä osia.

Säännöllinen huolto ja puhdistus varmistavat pitkän eliniän ja turvallisen käsittelyn.

Noudata annettuja huolto-ohjeita ja huoltotöiden aikavälejä.

Tee vain käyttöohjeessa kuvatut huoltotyöt.

Käytä ainoastaan Milwaukee lisätarvikkeita ja Milwaukee varaosia. Mikäli jokin komponentti, jota ei ole kuvailtu, tarvitsee vaihtoa ota yhteys johonkin Milwaukee palvelupisteistä (kts. listamme takuuhuoltoaliikkeiden/ palvelupisteiden osoitteista)

Tarpeen vaatiessa voit pyytää lähettämään laitteen kokoonpanopiirustuksen ilmoittamalla arvokilven numeron seuraavasta osoitteesta: Techtronic Industries GmbH, Max-Eyth-Straße 10, 71364 Winnenden, Germany.

VIANETSINTÄ

ONGELMA	Aiheuttaja	Korjaus
Pumppu ei käy.	Juoksupyörä tukossa.	Katso "Juoksupyörän vaihtaminen/poistaminen".
Virtausnopeus on liian matala.	Syöttö-/poistolinja on tukossa tai vaurioitunut. Syöttöliitäntä ei ole ilmatiivis. Juoksupyörän suojus ei ole tiukasti kiinni. Juoksupyörä on kulunut.	Vaihda syöttö-/poistolinja. Tarkasta linjojen tukokset, kiertymät ja taipumat. Poista tukokset. Kiristä syöttöliitäntä, lisää teflon-teippiä tai tiiviste tarvittaessa. Kiristä neljä (4) pääliiruuvia käsin. Katso "Juoksupyörän vaihtaminen/poistaminen"
Pumpun sammutus.	Kuivan pumpun sammutus. Lukittu juoksupyörä. Asennettu akku kytkettäessä pumppu päälle.	Korjaa tilanne, kytke työkalu pois päältä ja takaisin päälle nollausta varten.
Yliämpötilan sammutus	Tukossa olevat poistolinjat. Poistolinja liian korkea. Poistolinja liian pitkä. Pumppu PÄÄLLÄ liian kauan.	Anna pumpun jäähtyä. Korjaa tilanne, kytke työkalu pois päältä ja takaisin päälle nollausta varten.

SYMBOLIT



HUOMIO! VAROITUS! VAARA!



Lue käyttöohjeet huolellisesti, ennen koneen käynnistämistä.



Käytä kuulosuojaimia!



Käytä laitteella työskennellessäsi aina suojalaseja.



Ei syttyville tai syövyttävälle kemiallisille nesteille.



Siirrettävän nesteen enimmäislämpötila ei saa ylittää 60 °C (140 °F).



Varoitus! Ei liian voimakkaasti tai kiristettynä pihdeillä.



Ei pakkasenkestävä



Enimmäinen jatkuva käyntiaika 1 h.



Pidä sivulliset, lapset ja vierailijat kaukana pumpun käytön aikana.



Työkalu käytettävä sisätiloissa. Suojeltava sateelta.



Ota akku pois ennen kaikkia koneeseen tehtäviä toimenpiteitä.



Vara-osa - ei sisälly vakiovarusteisiin, saatavana vara-osana.



Sähkölaitteita, paristoja/akkuja ei saa hävittää yhdessä kotitalousjätteiden kanssa. Sähkölaitteet ja akut tulee kerätä erikseen ja toimittaa kierrätysliikkeeseen ympäristöystävällistä hävittämistä varten. Pyydä paikallisilta viranomaisilta tai alan kauppiailtasi tarkemmat tiedot kierrätyspisteistä ja keräyspaikoista.

V

Jännite



Tasavirta



Euroopan säännönmukaisuusmerkki



Ukrainan säännönmukaisuusmerkki



Euraasian säännönmukaisuusmerkki



ΤΕΧΝΙΚΑ ΣΤΟΙΧΕΙΑ Αντλία μεταφοράς μικρών διαστάσεων	M18 BTP
Αριθμός παραγωγής	4742 30 01 000001-999999
Τάση ανταλλακτικής μπαταρίας	18 V
Βαθμός προστασίας	IPX4
Ρυθμός ροής Μέγ.	30,3 l/min
Μανομετρικό ύψος Μέγ.	23 m
Ύψος αναρρόφησης Μέγ.	5,5 m
Θερμοκρασία νερού Μέγ.	60 °C
Θερμοκρασία αέρα Μέγ.	40 °C
Ρακόρ σύνδεσης αντλίας	13 mm (1/2") NPT εξωτερικό σπείρωμα στο 19 mm (3/4") BSPT εξωτερικό σπείρωμα
(Εύκαμπτος σωλήνας)	19 mm (3/4") BSPT εσωτερικό σπείρωμα
Χρόνος συνεχούς λειτουργίας Μέγ.	1 h
Βάρος χωρίς ανταλλακτική μπαταρία	3,4 kg
Βάρος σύμφωνα με τη διαδικασία EPTA 01/2014 (Li-Ion 2,0 Ah ... 12,0 Ah)	4,0 kg..., 5,1 kg
Συνιστώμενη δέσμη συσσωρευτών	M18B...M18HB
Συνιστώμενη συσκευή φόρτισης	M12-18...; M1418C6



EL

⚠ ΠΡΟΕΙΔΟΠΟΙΗΣΗ Διαβάστε όλες τις υποδείξεις ασφαλείας, τις οδηγίες, τις εικόνες και τα δεδομένα, τα οποία θα λάβετε μαζί με το μηχάνημα. Η μη τήρηση των οδηγιών που ακολουθούν, μπορεί να οδηγήσει σε ηλεκτροπληξία, φωτιά και/ή σε σοβαρούς τραυματισμούς.
Φυλάξτε όλες τις προειδοποιητικές υποδείξεις και οδηγίες για κάθε μελλοντική χρήση.

⚠ ΟΔΗΓΙΕΣ ΑΣΦΑΛΕΙΑΣ ΓΙΑ ΑΝΤΛΙΕΣ

- Μη βυθίζετε την αντλία στο νερό ή την τοποθετείτε σε βρεγμένες περιοχές. Τοποθετείτε την αντλία μόνο σε στεγνές περιοχές.
- Προσοχή! Κίνδυνος ηλεκτροπληξίας. ΜΗΝ συνδέετε αγωγούς στην αντλία.
- Μην αντλείτε εύφλεκτα ή εκρηκτικά υγρά, όπως βενζίνη, μαζούτ, κηροζίνη κτλ. Μη χρησιμοποιείτε τη συσκευή σε χώρους με εκρηκτική ατμόσφαιρα.
- Μην αντλείτε νερό, η θερμοκρασία του οποίου υπερβαίνει τους 60 °C (140 °F). Μην αντλείτε άμμο, σωματίδια ή μεγάλα θραύσματα. Θα προκληθεί ζημιά στην αντλία.
- Μην αφήνετε την αντλία να λειτουργεί χωρίς φορτίο για διάστημα μεγαλύτερο των 10 δευτερολέπτων. Απενεργοποιείτε γρήγορα την αντλία μόλις η εργασία ολοκληρωθεί. Αφαιρείτε πάντα το πακέτο συσσωρευτών πριν επιχειρήσετε να εγκαταστήσετε ή να επισκευάσετε την αντλία.
- Μην αφήνετε την αντλία να λειτουργεί χωρίς επίβλεψη. Η μη συμμόρφωση με αυτή την προειδοποίηση μπορεί να προκαλέσει σωματική βλάβη ή και θάνατο.
- Αφαιρείτε πάντα το πακέτο συσσωρευτών πριν επιχειρήσετε να εγκαταστήσετε ή να επισκευάσετε την αντλία. Ποτέ μην χειρίζεστε την αντλία με βρεγμένα χέρια ή όταν στέκεστε σε μια βρεγμένη ή υγρή επιφάνεια ή μέσα στο νερό. Είναι πιθανή η πρόκληση θανατηφόρου ηλεκτροπληξίας.
- Ασφαλίστε τον εύκαμπτο σωλήνα εξόδου πριν θέσετε σε λειτουργία την αντλία. Ένας μη ασφαλισμένος σωλήνας μπορεί να

εκτονωθεί με ένα τσίγκωμα ταλάντωσης. Είναι πιθανή η πρόκληση σοβαρού ή/και θανατηφόρου τραυματισμού.

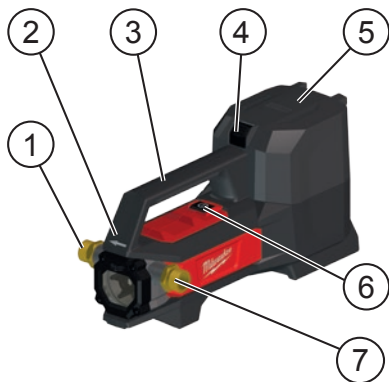
- Μη χρησιμοποιείτε την αντλία, εάν ο διακόπτης λειτουργίας δεν την ενεργοποιεί και απενεργοποιεί. Οποιαδήποτε αντλία που δεν μπορεί να ελέγχεται μέσω του διακόπτη είναι επικίνδυνη και χρήζει επισκευής.
- Μη χρησιμοποιείτε την αντλία σε εκρηκτικές ατμόσφαιρες, όπως υπό την παρουσία εύφλεκτων υγρών ή αερίων ή σκόνης. Οι κινητήρες δημιουργούν σπινθήρες που θα προκαλέσουν ανάφλεξη της σκόνης ή των αναθυμιάσεων.
- Να ντύνεστε κατάλληλα. Μη φοράτε φαρδιά ρούχα ή κοσμήματα. Διατηρείτε τα μαλλιά σας, τα ρούχα σας και τα γάντια σας μακριά από κινούμενα εξαρτήματα. Φοράτε προστατευτικό σκουφάκι για τα μακριά μαλλιά. Τα φαρδιά ρούχα, τα κοσμήματα ή τα μακριά μαλλιά μπορεί να πιαστούν σε κινούμενα μέρη.
- Μη σκύβετε και να κρατάτε την ισορροπία σας συνεχώς. Η σωστή βάση και ισορροπία επιτρέπει τον καλύτερο έλεγχο σε μη προβλέψιμες καταστάσεις.

Αυτή η συσκευή δεν ενδείκνυται για χρήση από άτομα (συμπεριλαμβανομένων των παιδιών) με περιορισμένες σωματικές, αισθητήριες ή νοητικές ικανότητες, ελλιπή εμπειρία ή γνώσεις, εκτός αν τα άτομα αυτά είτε βρίσκονται υπό την επίβλεψη ανθρώπων που είναι υπεύθυνοι για την ασφάλειά τους είτε έχουν λάβει σαφείς οδηγίες χρήσης της συσκευής από τέτοιους ανθρώπους. Τα παιδιά πρέπει πάντα να επιτηρούνται ώστε να είναι βέβαιο ότι δεν παίζουν με τη συσκευή.

Τα παιδιά δεν επιτρέπεται να παίζουν με τη Συσκευή.

Ο καθαρισμός και η συντήρηση μέσω χρήστ η δεν επιτρέπεται να εκτελείται από παιδιά χωρίς επίτηρηση.

Ελληνικά



- | | | | |
|---|--------------------------|---|---|
| 1 | Εξόδος | 5 | Θήκη μπαταρίας |
| 2 | Ενδειξη κατεύθυνσης ροής | 6 | Κουμπί ενεργοποίησης/απενεργοποίησης (On/Off) |
| 3 | Λαβή | 7 | Είσοδος |
| 4 | Κουμπί θήκης μπαταρίας | | |

ΠΕΡΑΙΤΕΡΩ ΟΔΗΓΙΕΣ ΑΣΦΑΛΕΙΑΣ ΚΑΙ ΧΡΗΣΗΣ

- Ακατάλληλη για πόσιμο νερό ή άλλα πόσιμα υγρά.
- Αφαιρείτε πάντα το πακέτο συσσωρευτών από την αντλία πριν προβείτε σε ρυθμίσεις, αλλαγή εξαρτημάτων ή αποθήκευση της συσκευής. Τέτοιου είδους προληπτικά μέτρα μειώνουν τον κίνδυνο ακούσιας ενεργοποίησης της συσκευής.
- Διατηρείτε τις λαβές και τις επιφάνειες πιασίματος στεγνές, καθαρές και χωρίς λάδια ή γράσα. Οι ολισθηρές λαβές και επιφάνειες πιασίματος δεν επιτρέπουν τον ασφαλή χειρισμό και τον έλεγχο του εργαλείου σε απρόβλεπτες καταστάσεις.
- Κρατάτε τους μη συμμετέχοντες στην εργασία, τα παιδιά και τους επισκέπτες μακριά όσο η αντλία βρίσκεται σε λειτουργία. Η απόσπαση της προσοχής θα οδηγήσει σε σφάλματα.
- Κατά τη λειτουργία της αντλίας παραμένετε σε εγρήγορση, παρακολουθείτε αυτό που κάνετε και χρησιμοποιείτε την κοινή λογική. Μην προσπαθήσετε να θέσετε αυτή την αντλία σε λειτουργία όταν είστε κουρασμένοι ή βρισκόστε υπό την επίρρεα ναρκωτικών, οιονοπνευματώδων ή φαρμακευτικών ουσιών. Μια στιγμή απροσεξίας μπορεί να επιφέρει σοβαρές σωματικές βλάβες.
- Χρησιμοποιείτε προστατευτικό εξοπλισμό. Φοράτε πάντα προστασία των ματιών. Επιβάλλεται η χρήση μάσκας προστασίας από την σκόνη, αντιολισθητική υποδημάτων ασφαλείας και σκληρού καπέλου, εφόσον οι συνθήκες το απαιτούν.
- Μην αφήσετε την εξοικείωση από τη συχνή χρήση των εργαλείων να σας καταστήσει απρόσεκτους και να αγνοήσετε τις αρχές ασφαλείας χρήσης του εργαλείου. Μια στιγμή απροσεξίας μπορεί να προκαλέσει σοβαρό τραυματισμό σε κλάσματα δευτερολέπτου.
- Μην αντίτετε νερό από ρυάκια, λίμνες ή από πηγές από τις οποίες είναι πιθανή η εισρόφηση ξένων σωμάτων στην αντλία. Είναι πιθανή η είσοδος στερεών σωμάτων στον εύκαμπτο σωλήνα εισόδου.
- Διατηρείτε τον χώρο εργασίας καθαρό και επαρκώς φωτισμένο. Οι ακατάστατοι ή οι σκοτεινοί χώροι διευκολύνουν την πρόκληση ατυχημάτων.
- Να χρησιμοποιείται μόνο σε εσωτερικούς χώρους.
- Χρησιμοποιείτε σωλήνες 19 mm (3/4") BSPT ορειχάλκινου θηλυκού ρακόρ σύνδεσης.

- Για την είσοδο συνιστάται η χρήση ενός εύκαμπτου σωλήνα βαρέως τύπου προς αποφυγή ενδεχόμενης κατάρρευσης. Για καλύτερα αποτελέσματα χρησιμοποιείτε έναν σωλήνα μικρού μήκους και μεγάλης διαμέτρου, όπως ένα λάστιχο κήπου με μήκος 183 cm (6') και εσωτερική διάμετρο 19 mm (3/4"). Σωλήνες μεγαλύτερου μήκους ή πιο λεπτού σωλήνες μπορούν να περιορίσουν την απόδοση και τον ρυθμό ροής.
- Ως σωλήνας εξόδου μπορεί να χρησιμοποιηθεί ένα σύνθηες λάστιχο ποτίματος.

ΧΡΗΣΗ ΣΥΜΦΩΝΑ ΜΕ ΤΟ ΣΚΟΠΟ ΠΡΟΟΡΙΣΜΟΥ

Η αντλία έχει σχεδιαστεί για εφαρμογές όπως η εκκένωση θερμοσιφώνων νερού, δεξαμενών κτλ. Η αντλία δεν είναι αδιαβροχή ή ανθεκτική στις καιρικές συνθήκες και δεν προορίζεται για χρήση σε εξωτερικούς χώρους ή σε εσωτερικούς χώρους όπως ντους/ζιέρες, σάουνας και άλλους κτινιασ υγρούς χώρους.

Η συγκεκριμένη αντλία έχει ελεγχθεί και αξιολογηθεί αποκλειστικά για χρήση με καθαρό νερό. Δεν προορίζεται για την άντληση θαλασσινού νερού, άμλης, απόβλητων πλύσης ή οποιαδήποτε άλλη εφαρμογή που μπορεί να περιέχει καυστικά χημικά ή/και ξένα σώματα. Η συγκεκριμένη αντλία είναι ακατάλληλη για χρήση με υδροβιους οργανισμούς.

Αυτή η συσκευή επιτρέπεται να χρησιμοποιηθεί μόνο σύμφωνα με τον αναφερόμενο σκοπό προορισμού.

ΜΠΑΤΑΡΙΕΣ

Επαναφορτίζετε τις ανταλλακτικές μπαταρίες που δεν έχουν χρησιμοποιηθεί για μεγαλύτερο χρονικό διάστημα πριν τη χρήση.

Μια θερμοκρασία πάνω από 50°C μειώνει την ισχύ της ανταλλακτικής μπαταρίας. Αποφύγετε τη θέρμανση για μεγαλύτερο χρονικό διάστημα από τον ήλιο ή τις συσκευές θέρμανσης.

Διατηρείτε τις επαφές σύνδεσης στο φορτιστή και στην ανταλλακτική μπαταρία καθαρές.

Για μια άριστη διάρκεια ζωής πρέπει μετά τη χρήση οι μπαταρίες να φορτιστούν πλήρως. Επαναφορτίζετε τις ανταλλακτικές μπαταρίες που δεν έχουν χρησιμοποιηθεί για μεγαλύτερο χρονικό διάστημα πριν τη χρήση.

Για μια κατά το δυνατόν μεγάλη διάρκεια ζωής οι μπαταρίες μετά τη φόρτιση οφείλουν να αφαιρεθούν από το φορτιστή.

Για την αποθήκευση της μπαταρίας για διάστημα μεγαλύτερο των 30 ημερών: Αποθηκεύετε τη μπαταρία περ. στους 27°C σε στεγνό χώρο. Αποθηκεύετε τη μπαταρία περ. στο 30%-50% της κατάστασης φόρτισης., Κάθε 6 μήνες φορτίζετε εκ νέου τη μπαταρία.

Μην πετάτε τις μεταχειρισμένες ανταλλακτικές μπαταρίες στη φωτιά ή στα οικιακά απορρίμματα. Η Milwaukee προσφέρει μια απόσυρση των παλιών ανταλλακτικών μπαταριών σύμφωνα με τους κανόνες προστασίας του περιβάλλοντος, ρωτήστε παρακαλώ σχετικά στο ειδικό κατάστημα πώλησης.

Μην αποθηκεύετε τις ανταλλακτικές μπαταρίες μαζί με μεταλλικά αντικείμενα (κίνδυνος βραχυκυκλώματος).

Φορτίζετε τις ανταλλακτικές μπαταρίες του συστήματος M18 μόνο με φορτιστές του συστήματος M18. Μη φορτίζετε μπαταρίες από άλλα συστήματα.

Μην ανοίγετε τις ανταλλακτικές μπαταρίες και τους φορτιστές και χρησιμοποιείτε για αποθήκευση μόνο στεγνούς χώρους. Προστατεύετε τις ανταλλακτικές μπαταρίες και τους φορτιστές από την υγρασία.

Όταν υπάρχει υπερβολική καταπόνηση ή υψηλή θερμοκρασία μπορεί να τρέξει υγρό μπαταρίας από τις χαλασμένες επαναφορτιζόμενες μπαταρίες. Αν έρθετε σε επαφή με υγρό



μπαταρίας να πληθύνει αμέσως με νερό και σαπούνι. Σε περίπτωση επαφής με τα μάτια να πληθύνει σχολαστικά για τουλάχιστον 10 λεπτά και να αναζητήσετε αμέσως ένα γιατρό.

Στη θήκη υποδοχής των ανταλλακτικών μπαταριών του φορτιστή δεν επιτρέπεται να φθάνουν μεταλλικά αντικείμενα (κίνδυνος βραχυκυκλώματος).

ΠΡΟΣΤΑΣΙΑ ΥΠΕΡΦΟΡΤΩΣΗΣ ΤΗΣ ΜΠΑΤΑΡΙΑΣ

Σε περίπτωση υπερφόρτισης συσσωρευτή μέσω πολύ υψηλής καταπόλησης ρεύματος, π.χ. υπερβολικά υψηλή ροπή στρέψης, μάγκωμα του ένθετου εργαλείου, ξαφνικό σταμάτημα ή βραχυκύκλωμα, σταματά το ηλεκτρικό εργαλείο για 2 δευτερόλεπτα και απενεργοποιείται αυτόματα.

Για μια νέα ενεργοποίηση, αφήνετε ελεύθερο το διακόπτη και στη συνέχεια ενεργοποιείτε εκ νέου.

Κάτω από ακραίες καταπονήσεις μπορεί η μπαταρία να θερμανθεί πολύ. Στην περίπτωση αυτή η μπαταρία απενεργοποιείται.

Τοποθετείτε στη συνέχεια τη μπαταρία στη συσκευή φόρτισης για να τη φορτίσετε πάλι και να την ενεργοποιήσετε.

ΜΕΤΑΦΟΡΑ ΤΩΝ ΜΠΑΤΑΡΙΩΝ ΙΟΝΤΩΝ ΛΙΘΙΟΥ

Οι μπαταρίες ιόντων λιθίου υπόκεινται στις απαιτήσεις των νομικών διατάξεων για την μεταφορά επικινδύνων εμπορευμάτων.

Η μεταφορά τέτοιων μπαταριών πρέπει να πραγματοποιείται τηρώντας τους τοπικούς, εθνικούς και διεθνείς κανονισμούς και τις αντίστοιχες διατάξεις.

Επιτρέπεται η μεταφορά τέτοιων μπαταριών στο δρόμο χωρίς περαιτέρω απαιτήσεις.

Η εμπορική μεταφορά μπαταριών ιόντων λιθίου από εταιρείες μεταφορών υπόκειται στις απαιτήσεις των νομικών διατάξεων για την μεταφορά επικινδύνων εμπορευμάτων. Οι προτοιμασίες αποστολής και η μεταφορά πραγματοποιούνται αποκλειστικά από ειδικά εκπαιδευμένα πρόσωπα. Η συνολική διαδικασία συνοδεύεται από εξειδικευμένο προσωπικό.

Κατά τη μεταφορά μπαταριών ιόντων λιθίου πρέπει να προσέχετε τα εξής:

Φροντίστε τα σημεία επαφών να είναι προστατευμένα και μονωμένα ώστε να αποφευχθούν βραχυκυκλώματα. Προσέξτε το πακέτο μπαταριών να είναι σταθερό μέσα στη συσκευασία και να μη γλιστρά. Η μεταφορά μπαταριών που παρουσιάζουν φθορές ή διαρροές δεν επιτρέπεται. Για περισσότερες πληροφορίες απευθυνθείτε στην εταιρεία μετάφορων.

ΣΥΝΤΗΡΗΣΗ

Συντηρείτε την αντλία και τα παρελκόμενα εξαρτήματα. Ελέγχετε την αντλία για έλλειψη ευθυγράμμισης ή το διάκενο των κινούμενων μερών, πιθανή ρήξη των μερών και οποιοσδήποτε άλλες συνθήκες που θα μπορούσαν να επηρεάσουν τη λειτουργία της. Εάν η αντλία έχει υποστεί βλάβη, φροντίστε να επισκευαστεί πριν την χρησιμοποίησετε. Η ανεπαρκής συντήρηση της αντλίας μπορεί να έχει ως επακόλουθο την πρόκληση ατυχημάτων.

- Πριν από κάθε εργασία στη μηχανή αφαιρείτε την ανταλλακτική μπαταρία. Αποσυνδέετε όλο το σύστημα πριν εκτελέσετε εργασίες συντήρησης σε οποιοδήποτε εξάρτημα.
- Αποσπαραγγίζετε το σύστημα από όλα τα υγρά πριν τη συντήρηση.
- Επιθεωρείτε τακτικά την αντλία και τα μέρη του συστήματος, ελέγχετε για εξασθενημένους ή/και φθαρμένους εύκαμπτους σωλήνες. Ελέγχετε την πτερωτή για φθορές ή εμπλοκή. Βεβαιωθείτε πως όλες οι συνδέσεις είναι ασφαλείς.
- Όταν πραγματοποιείτε συντήρηση της αντλίας, χρησιμοποιείτε μόνο πανομιότυπα ανταλλακτικά εξαρτήματα. Ακολουθήστε τις

οδηγίες της ενότητας Συντήρηση στο παρόν εγχειρίδιο. Η χρήση μη εγκεκριμένων ανταλλακτικών ή η μη τήρηση των οδηγιών συντήρησης ενέχει πιθανούς κινδύνους ηλεκτροπληξίας ή τραυματισμού και μπορεί να καταστήσει άκυρη την εγγύηση.

- Μην τροποποιείτε ή μην επιχειρήσετε να επισκευάσετε την αντλία ή το πακέτο συσσωρευτών με τρόπο διαφορετικό από αυτόν που περιγράφεται στις οδηγίες χρήσης και φροντίδας.
- Ο καθαρισμός και η συντήρηση μέσω χρήστ η δεν επιτρέπεται να εκτελείται από παιδιά χωρίς επιτήρηση.

Χρησιμοποιείτε τη συσκευή, μόνο αν βρίσκεται αν δεν παρουσιάζει βλάβη.

Οι επισκευές πρέπει να πραγματοποιούνται μόνο από εξειδικευμένα άτομα χρησιμοποιώντας γνήσια ανταλλακτικά, ειδικά αν αυτό μπορεί να οδηγήσει σε σημαντικό κίνδυνο για το χρήστη.

Καθαρίζετε την συσκευή και τον εξοπλισμό προστασίας με ένα στεγνό πανί.

Μερικά απορρυπαντικά προκαλούν φθορές στο πλαστικό και σε άλλα μονωμένα μέρη.

Τακτική συντήρηση και καθαρισμός είναι απαραίτητα για μεγάλη διάρκεια ζωής και ασφαλή λειτουργία.

Τηρείστε οπωσδήποτε τις προθεσμίες και τα διαστήματα συντήρησης.

Διεξάγετε μόνο τις εργασίες συντήρησης που περιγράφονται στις οδηγίες λειτουργίας.

Χρησιμοποιείτε μόνο αξεσουάρ Milwaukee και ανταλλακτικά Milwaukee. Εξαρτήματα, που η αλλαγή τους δεν περιγράφεται, αντικαθιστώνται σε μια τεχνική υποστήριξη της Milwaukee (βλέπε φυλλάδιο εγγύηση/ διευθύνσεις τεχνικής υποστήριξης).

Όταν χρειάζεται, μπορείτε να ζητήσετε ένα σχέδιο συναρμολόγησης της συσκευής, δίνοντας τον τύπο της μηχανής και αριθμό στην πινακίδα ισχύος, από το κέντρο σέρβις ή απευθείας από τη φίρμα Techtron Industries GmbH, Max-Eyth-Straße 10, 71364 Winnenden, Germany.

ΠΡΟΒΛΗΜΑ	ΑΙΤΙΑ	ΛΥΣΗ
Η αντλία δεν λειτουργεί.	Εμπλοκή περρωτής.	Βλέπε «Αντικατάσταση/Καθαρισμός περρωτής»
Υπερβολικά χαμηλός ρυθμός ροής.	Φραγμένοι ή κατεστραμμένοι σωλήνες εισόδου/εξόδου. Η σύνδεση εισόδου δεν είναι αεροστεγής. Το κάλυμμα της περρωτής δεν έχει ασφαλιστεί σφιχτά. Η περρωτή έχει φθαρεί.	Αντικαταστήστε τον σωλήνα εισόδου/εξόδου. Ελέγξτε τους σωλήνες για σημεία εμφραξης, τσάκισης ή κάμψης. Αποκαταστήστε τα σημεία αυτά. Σφίξτε τη σύνδεση εισόδου, προσθέτοντας ταινία τεφλόν ή κολλάρο σύσφιξης, εφόσον χρειάζεται. Σφίξτε με το χέρι τις τέσσερις (4) βίδες του καλύμματος. Βλέπε «Αντικατάσταση/Καθαρισμός περρωτής»
Διακοπή λειτουργίας αντλίας.	Διακοπή λειτουργίας αντλίας χωρίς φορτίο. Εμπλοκή περρωτής. Ενεργοποίηση αντλίας κατά την εγκατάσταση της μπαταρίας.	Διορθώστε την κατάσταση, μετά απενεργοποίηστε και ενεργοποιήστε το εργαλείο ξανά για επαναφορά στην αρχική κατάσταση.
Διακοπή λειτουργίας λόγω υπερθέρμανσης	Εμφραξη σωλήνα εξόδου. Υπερβολικά μεγάλο ύψος σωλήνα εξόδου. Υπερβολικά μεγάλο μήκος σωλήνα εξόδου. Υπερβολικά μακρά παραμονή της αντλίας σε λειτουργία.	Αφήστε την αντλία να κρυώσει. Διορθώστε την κατάσταση, μετά απενεργοποιήστε και ενεργοποιήστε το εργαλείο ξανά για επαναφορά στην αρχική κατάσταση.



ΠΡΟΣΟΧΗ! ΠΡΟΕΙΔΟΠΟΙΗΣΗ! ΚΙΝΔΥΝΟΣ!



Παρακαλώ διαβάστε σχολαστικά τις οδηγίες χρήσης πριν από την έναρξη λειτουργίας.



Φοράτε προστασία ακοής (ωασιπίδες)!



Στις εργασίες με τη μηχανή φοράτε πάντοτε προστατευτικά γυαλιά.



Ακατάλληλη για εύφλεκτα και καυστικά χημικά υγρά.



Η μέγ. θερμοκρασία του αντλούμενου υγρού δεν πρέπει να υπερβαίνει τους 60 °C (140 °F).



Προσοχή! Αποφεύγετε την υπερβολικά δυνατή ή σφιχτή εφαρμογή των τοιμπίδων.



Μη ανθεκτική στον παγετό



Μέγιστος χρόνος συνεχούς λειτουργίας 1 ώρα.



Κρατάτε τους μη συμμετέχοντες στην εργασία, τα παιδιά και τους επισκέπτες μακριά όσο η αντλία βρίσκεται σε λειτουργία.



Η συσκευή είναι κατάλληλη για χρήση μόνο σε εσωτερικούς χώρους, μην εκθέσετε τη συσκευή στη βροχή.



Πριν από κάθε εργασία στη μηχανή αφαιρείτε την ανταλλακτική μπαταρία.



Ανταλλακτικό - Δεν περιλαμβάνεται στον παραδοτέο εξοπλισμό, διατίθεται ως ανταλλακτικό.



Ηλεκτρικά μηχανήματα, μπαταρίες/συσσωρευτές δεν επιτρέπεται να απορρίπτονται μαζί με τα οικιακά απορρίμματα. Ηλεκτρικά μηχανήματα και συσσωρευτές συλλέγονται ξεχωριστά και παραδίδονται προς ανακύκλωση με τρόπο φιλικό προς το περιβάλλον σε επιχείρηση επεξεργασίας απορριμμάτων. Ενημερωθείτε από τις τοπικές υπηρεσίες ή από ειδικευμένους εμπόρους σχετικά με κέντρα ανακύκλωσης και συλλογής απορριμμάτων.



Τάση



Συνεχές ρεύμα



Ευρωπαϊκό σήμα πιστότητας



Ουκρανικό σήμα πιστότητας



Ευρασιατικό σήμα πιστότητας



EL

TEKNİK VERİLER Kompakt Aktarma Pompası	M18 BTP
Üretim numarası	4742 30 01 000001-999999
Kartuş akü gerilimi	18 V
Koruma sınıfı	IPX4
Debi Maks.	30,3 l/min
Basma Yüksekliği Maks.	23 m
Emme Yüksekliği Maks.	5,5 m
Su sıcaklığı Maks.	60 °C
Hava sıcaklığı Maks.	40 °C
Pompa bağlantısı	13 mm (1/2") NPT dış dişli üzerinde 19 mm (3/4") BSPT dış dişli
(Hortum)	19 mm (3/4") BSPT iç vida dişli
Kesintisiz çalışma süresi Maks.	1 h
Değişken şebeke akü	3,4 kg
Ağırlığı ise EPTA-üretici 01/2014'e göre (Li-Ion 2,0 Ah ... 12,0 Ah)	4,0 kg..., 5,1 kg
Tavsiye edilen güç paketleri	M18B...M18HB
Tavsiye edilen şarj aletleri	M12-18...; M1418C6



Tür

⚠ UYARI Cihazla birlikte gelen tüm güvenlik uyarılarını, talimatları, çizimleri ve bilgileri okuyun. Aşağıdaki talimat hükümlerine uymadığınız takdirde elektrik çarpması, yangın veya ağır yaralanma tehlikesi ile karşılaşabilirsiniz.
Bütün uyarıları ve talimat hükümlerini ileride kullanmak üzere saklayın.

⚠ POMPALAR İÇİN GÜVENLİK TALİMATLARI

- Pompayı suyun altına veya ıslak alanlara yerleştirmeyin. Pompayı sadece kuru yerlere yerleştirin.
- Dikkat! Elektrik çarpması tehlikesi. Boruyu pompaya BAĞLAMAYIN.
- Benzin, akaryakıt, gazyağı vb. yanıcı veya patlayıcı sıvıları pompalamayın. Aleti patlama olasılığı bulunan yerlerde kullanmayın
- 60 °C (140 °F) üzerinde bir sıcaklıkta su pompalamayın. Kum, kati parçacık veya büyük döküntüler pompalamayın. Pompa zarar görebilir.
- Pompanın 10 saniyeden fazla kuru çalışmasına izin vermeyin. İş tamamlandığında pompayı hemen kapatın. Pompayı takmadan veya bakıma almadan önce pil paketini daima çıkarın.
- Bu pompanın gözetimsiz çalışmasına izin vermeyin. Bu uyarıya uyulmaması fiziksel yaralanma ve/veya ölüme sonuçlanabilir.
- Pompayı takmadan veya bakıma almadan önce pil paketini daima çıkarın. Pompayı asla ıslak ellerle veya ıslak ya da nemli bir yüzey üzerinde veya suyun içinde dururken tutmayın. Ölümcül elektrik çarpması meydana gelebilir.
- Pompayı çalıştırmadan önce boşaltma hortumunu emniyete alın. Emniyete alınmamış boşaltma hortumu dolanabilir. Fiziksel yaralanma ve/veya ölüme sonuçlanabilir.
- Anahtar pompayı açıp kapatamıyorsa, aleti kullanmayın. Anahtarla kontrol edilemeyen bir pompa tehlikelidir ve onarılmalıdır.
- Pompayı yanıcı sıvı, gaz veya toz gibi maddelerin bulunduğu

patlama riski olan ortamlarda çalıştırmayın. Motorlar, dumanın tozunu ateşleyecek kıvılcıklar çıkarır.

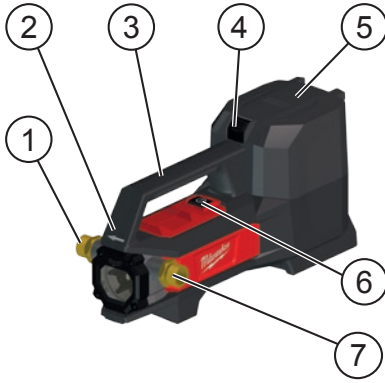
- Uygun bir şekilde giyinin. Bol giysiler giymeyin ve mücevher takmayın. Saçlarınızı, giysilerinizi ve eldivenlerinizi hareketli parçalardan uzak tutun. Uzun saçları örtmek için koruyucu başlık kullanın. Bol giysiler, takılar veya uzun saçlar hareketli parçalara takılabilir.
- Fazla dışarı uzanmayınız ve her zaman dengeli durunuz. Uygun bir dayanak ve denge, beklenmeyen durumlarda daha iyi kontrol sağlar.

Bu cihaz bedensel, duyuşal veya zihinsel yetenekleri kısıtlı olan veya deneyimleri ve konu bilgileri yetersiz olan kişilerin (çocuklar dahil) kullanılması için uygun değildir, ancak kendilerine güvenliklerinden sorumlu bir kişi tarafından ilgili talimatların verilmesi veya gözetlenmeleri durumu hariçtir. Çocuklar ayrıca, cihazla oynamaları için gözetim altında tutulmalıdır.

Çocuklar cihazla oynamamalıdır.

Temizlik ve kullanıcı bakımı çocuklar tarafından yapılamaz.

Türkçe



- | | |
|---------------------------|-----------------------|
| ① Çıkış | ⑤ Pil bölmesi |
| ② Akış göstergesinin yönü | ⑥ Açma/Kapama düğmesi |
| ③ Tutamak | ⑦ Giriş |
| ④ Pil bölmesi düğmesi | |

EK GÜVENLİK VE ÇALIŞMA TALİMATLARI

- İçme suyu veya diğer içilebilir sıvılar için uygun değildir.
- Herhangi bir arızayı yapmadan, aksesuarları değiştirmeden veya cihazı depolamadan önce pil paketini daima pompadan çıkarın. Bu tür önleyici güvenlik tedbirleri, cihazın istenmeden çalıştırılması riskini azaltır.
- Tutamakları ve kavrama yüzeylerini kuru, temiz, yağdan ve gresten arındırılmış şekilde tutun. Kaygan tutamaklar ve kavrama yüzeyi, beklenmedik durumlarda aletin güvenli şekilde taşınmasına ve kontrol edilmesine izin vermez.
- Pompayı kullanırken etraftakileri, çocukları ve ziyaretçileri uzak tutun. Dikkat dağılması hatalarla neden olur.
- Bu pompayı kullanırken tetikte olun, ne yaptığınızı bakın ve sağduyunuzdan faydalanın. Yorgunken veya uyuşturucu, alkol ya da ilaçların etkisi altındayken bu pompayı çalıştırmayı denemeyin. Bir dikkatsizlik anı ciddi fiziksel yaralanmaya yol açabilir.
- Koruyucu ekipman kullanın. Daima göz koruyucu takın. Uygun koşulların sağlanması için toz maskesi, kaymaz güvenlik ayakkabıları ve kask kullanılmalıdır.
- Aletleri sık kullanmanızdan ötürü kazandığınız alışkanlığın kayıtsızlaşmanıza ve alet güvenliğini ilkelerinizi göz ardı etmenize neden olmasına izin vermemeniz. Dikkatsiz bir hareket, bir saniyenin altında ciddi yaralanmalara neden olabilir.
- Pompanın içine yabancı cisimlerin emilebileceği dere, gölet veya kaynaklardan su pompalamayın. Giriş hortumuna katı maddeler girebilir.
- Çalışma alanını temiz tutun ve iyi aydınlatın. Dağınık veya karanlık alanlar kazalara davetiye çıkarır.
- Sadece iç mekânlarda kullanın.
- 19 mm (3/4") BSPT piriç dişi bağlantı parçasına sahip hortumlar kullanın.
- Hortumun çökmesini önlemek için giriş hortumu olarak dayanıklı bir hortum kullanılmalıdır. En iyi sonuçları elde etmek için 183 cm (6') uzunluğa ve 19 mm (3/4") iç çapa sahip bir bahçe hortumu gibi kısa uzunlukta ve büyük çaplı bir hortum kullanın. Daha uzun veya daha ince hortumlar performansı ve debiyi düşürebilir.

- Çıkış hortumu olarak normal bir bahçe hortumu kullanılabilir.

KULLANIM

Bu pompa su ısıtıcılarının, tankların vs. boşaltılması gibi uygulamalar için tasarlanmıştır. Pompa su geçirmez veya hava koşullarına dayanıklı değildir ve dış mekânda ya da duşlar, saunalar veya diğer ıslanabilir yerlerde kullanılmak üzere tasarlanmamıştır.

Bu pompa sadece berrak suyla kullanılmak üzere değerlendirilmiştir. Tuzlu su, deniz suyu, boşaltılmış çamaşırhane suyu ya da kostik kimyasallar ve/veya yabancı maddeler içerebilecek başka herhangi bir uygulama için kullanılmak üzere tasarlanmamıştır. Bu pompa su yaşamı için kullanım açısından uygun değildir.

Bu alet sadece belirttiği gibi ve usulüne uygun olarak kullanılabilir.

AKÜ

Uzun süre kullanım dışı kalmış kartuş aküleri kullanmadan önce şarj edin.

50°C üzerindeki sıcaklıklar kartuş akünün performansını düşürür. Akünün güneş ışığı veya mekân sıcaklığı altında uzun süre ısınmasına dikkat edin.

Şarj cihazı ve kartuş aküdeki bağlantı kontaklarını temiz tutun.

Akünün ömrünün mükemmel bir şekilde uzun olması için kullandıktan sonra tamamen doldurulması gerekir. Uzun süre kullanım dışı kalmış kartuş aküleri kullanmadan önce şarj edin.

Ömrünün mümkün olduğu kadar uzun olması için akülerin yüklemeye yapıldıktan sonra doldurma cihazından uzaklaştırılması gerekir.

Akünün 30 günden daha fazla depolanması halinde: Aküyü takriben 27°C'de kuru olarak depolayın. Aküyü yüklemeye durumunun takriben % 30 - %50 olarak depolayın., Aküyü her 6 ay yeniden doldurun.

Kullanılmış kartuş aküleri ateşe veya ev çöplerine atmayın. Milwaukee, kartuş akülerin çevreye zarar vermeyecek biçimde tasfiye edilmesine olanak sağlayan hizmet sunar; lütfen bu konuda yetkili satıcınızdan bilgi alın.

Kartuş aküleri metal parça veya eşyalarla birlikte saklamayın (kısa devre tehlikesi).

M18 sistemli kartuş aküleri sadece M18 sistemli şarj cihazları ile şarj edin. Başka sistemli aküleri şarj etmeyin.

Kartuş aküleri ve şarj cihazını açmayın ve sadece kuru yerlerde saklayın. Neme ve ıslanmaya karşı koruyun.

Aşırı zorlanma veya aşırı ısınma sonucu hasar gören kartuş akülerden batarya sıvısı dışarı akabilir. Batarya sıvısı ile temasa gelen yeri hemen bol su ve sabunla yıkayın. Batarya sıvısı gözüne kaçacak olursa en azından 10 dakika yıkayın ve zaman geçirmeden bir hekime başvurun.

Şarj cihazının kartuş akü yuvasına hiçbir şekilde metal parçalar kaçmamalıdır (kısa devre tehlikesi).

AKÜNÜN AŞIRI YÜKLEMENE KARŞI KORUNMASI

Aşırı yüksek akım tüketiminden dolayı, örn. aşırı yüksek devirler, başlığın sıkışması, aniden durma veya kısa devreden dolayı bataryaya aşırı yüklenmesi halinde elektrikli alet 2 saniye süreyle durmakta ve kendiliğinden kapanmaktadır.

Yeniden çalıştırmak için şalter baskısını serbest bırakın ve bundan sonra tekrar çalıştırın.

Aşırı yüklenme durumunda ise akü pek fazla ısınır. Bu durumda akü kendiliğinden durur.

Aküyü tekrar doldurmak ve aktif hale getirmek amacı ile şarj bağlayın.

LİTYUM İYON PİLLERİN TAŞINMASI

Lityum iyon piller tehlikeli madde taşımaçılığı hakkındaki yasal hükümler tabidir.

Bu piller, bölgesel, ulusal ve uluslararası yönetmeliklere ve hükümlere uyularak taşınmak zorundadır.

Tüketici bu pilleri herhangi bir özel şart aranmaksızın karayoluyla taşıyabilirler.

Lityum iyon pillerin nakliye şirketleri tarafından ticari taşımaçılığı için tehlikeli madde taşımaçılığının hükümleri geçerlidir. Sevk hazırlığı ve taşıma sadece ilgili eğitimi görmüş personel tarafından gerçekleştirilebilir. Bütün süreç uzmanca bir refakatçilik altında gerçekleştirilmek zorundadır.

Pillerin taşınması sırasında aşağıdaki hususlara dikkat edilmesi gerekmektedir::

Kısa devre oluşmasını önlemek için kontakların korunmuş ve izole edilmiş olması sağlayınız. Pil paketinin ambalajı içinde kaymamasına dikkat ediniz. Hasarlı veya akımış pillerin taşınması yasaktır. Ayrıca bilgiler için nakliye şirketinize başvurunuz.

BAKIM

Pompa ve aksesuarların bakımını yapın. Hareketli parçaların hiza ve bağlantılarını, parçalardaki kırıkları ve pompanın çalışmasını etkileyebilecek diğer unsurları kontrol edin. Hasar görmüşse, kullanmadan önce pompayı tamir ettirin. Bakımı yetersiz yapılmış bir pompa kazalara neden olabilir.

- Aletin kendinde bir çalışma yapmadan önce kartuş aküyü çıkarın. Herhangi bir parçanın bakımını yapmadan önce sistemdeki tüm basıncı boşaltın.
- Bakım yapmadan önce sistemdeki tüm sıvıları boşaltın.
- Pompa ve sistem bileşenlerini periyodik olarak inceleyin, zayıf ve/veya aşınmış hortumları kontrol edin. Pervaneyi aşınma veya tıkanmaya karşı kontrol edin. Tüm bağlantıların sağlam olduğundan emin olun.
- Pompanın bakımını yaparken yalnızca aynı yedek parçaları kullanın. Bu kılavuzun Bakım bölümünde yer alan talimatları uygulayın. İzin verilmeyen parçaların kullanılması veya bakım talimatlarına uyulmaması, elektrik çarpması ya da yaralanma riski oluşturabilir ve garantiyi geçersiz kılabilir.
- Kullanım ve bakım talimatlarında belirtilmedikçe, pompayı veya pil paketini değiştirmeyin ya da onarmaya çalışmayın.
- Temizlik ve kullanıcı bakımı çocuklar tarafından yapılamaz.

Cihazı sadece hasarsız durumda ise çalıştırınız.

Onarımlar yalnızca orijinal yedek parçalar kullanılarak nitelikli kişiler tarafından yapılmalıdır; aksi takdirde kullanıcı için önemli tehlikeler oluşabilir.

Cihazı ve koruyucu tertibatı kuru bir bezle temizleyiniz.

Bazı temizlik maddeleri plastik veya başka izole parçalara zarar verebilir.

Düzenli aralıklarda yapılan bakım ve temizlik, uzun bir dayanma ömrü ve güvenli bir kullanım sağlar.

Bakım ve bakım aralıklarına mutlaka uyunuz.

Sadece işletme kılavuzunda tarif edilen bakım çalışmaları uygulanmalıdır.

Sadece Milwaukee aksesuarı ve yedek parçası kullanın. Nasıl değiştirileceği açıklanmamış olan yapı parçalarını bir Milwaukee müşteri servisinde değiştirin (Garanti ve servis adresi broşürüne dikkat edin).

Gerektiği takdirde aletin dağılık görünüş şeması, alet tipinin ve tip etiketi üzerindeki sayının bildirilmesi koşuluyla müşteri servisinden veya doğrudan Techtronic Industries GmbH, Max-Eyth-Straße 10, 71364 Winnenden, Germany adresinden istenebilir.

SORUN ÇÖZME

SORUN	NEDEN	ÇÖZÜM
Pompa çalışmıyor.	Pervane tıkanık.	Bkz. „Pervaneyi Değiştirme/ Temizleme“
Debi çok düşük.	Giriş/Çıkış hattı tıkanık veya hasarlı. Giriş bağlantısı hava sızdırıyor. Pervane kapağı sıkıca sabitlenmemiş. Pervane yıpranmış.	Giriş/Çıkış hattını değiştirin. Hatları tıkanma, dolanma veya bükülmeye karşı kontrol edin. Tıkanıklıkları temizleyin. Gerekirse teflon şerit veya conta ekleyerek giriş bağlantısını sıkıştırın. Dört (4) kapak vidasını elle sıkın. Bkz. „Pervaneyi Değiştirme/ Temizleme“
Pompa kapandı.	Kuru pompa nedeniyle kapanma. Pervane sıkışmış. Pompa çalışırken pil takılmış.	Durumu düzeltin, ardından sıfırlamak için aleti kapatın ve tekrar açın.
Yüksek sıcaklık nedeniyle kapanma	Çıkış hattı tıkanık. Çıkış hattı çok yüksek. Çıkış hattı çok uzun. Pompa uzun süredir AÇIK.	Pompayı soğutun. Durumu düzeltin, ardından sıfırlamak için aleti kapatın ve tekrar açın.

SEMBOLLER



DIKKAT! UYARI! TEHLİKE!



Lütfen aleti çalıştırmadan önce kullanma kılavuzunu dikkatli biçimde okuyun.



Koruyucu kulaklık kullanın!



Aletle çalışırken daima koruyucu gözlük kullanın.



Yanıcı veya kostik kimyasal sıvılar için uygun değil.



Aktarılabilecek sıvının azami sıcaklığı 60 °C,yi (140 °F) aşmamalıdır.



Dikkat! Çok güçlü değil ve pense ile sıkılmaz.



Donmaya dayanıklı değil



Azami kesintisiz çalışma süresi 1 saat.



Pompayı kullanırken etraftakileri, çocukları ve ziyaretçileri uzak tutun.



Bu alet sadece kapalı mekânlarda kullanılmaya uygundur, yağmur altında bırakmayın



Aletin kendinde bir çalışma yapmadan önce kartuş aküyü çıkarın.



Yedek Parça - Standart ekipmanın parçası değildir, yedek parça olarak mevcuttur.



Elektrikli cihazların, pillerin/akülerin evsel atıklarla birlikte bertaraf edilmesi yasaktır. Elektrikli cihazlar ve aküler ayrılarak biriktirilmeli ve çevreye zarar vermeden bertaraf edilmeleri için bir atık değerlendirme tesisine götürülmelidirler. Yerel makamlara veya satıcınıza geri dönüşüm tesisleri ve atık toplama merkezlerinin yerlerini danışınız.

V

Voltaaj



Doğru akım



Avrupa uyumluluk işareti



Ukrayna uyumluluk işareti



Avrasya uyumluluk işareti



Tür

TECHNICKÁ DATA Kompaktní dopravní čerpadlo	M18 BTP
Výrobní číslo	4742 30 01 000001-999999
Napětí výměnného akumulátoru	18 V
Třída ochrany	IPX4
Průtoková rychlost max.	30,3 l/min
Výška hlavy max.	23 m
Výška zdvihu max.	5,5 m
Teplota vody max.	60 °C
Teplota vzduchu max.	40 °C
Přípojky čerpadla	13 mm (1/2") NPT vnější závit 19 mm (3/4") BSPT vnější závit
(Hadice)	19 mm (3/4") BSPT vnitřní závit
Doba nepřetržitého chodu max.	1 h
Hmotnost bez aku	3,4 kg
Hmotnost podle prováděcího předpisu EPTA 01/2014 (Li-Ion 2,0 Ah ... 12,0 Ah)	4,0 kg..., 5,1 kg
Doporučené akupaky	M18B...M18HB
Doporučené nabíječky	M12-18...; M1418C6



⚠ VAROVÁNÍ Přečtěte si všechny bezpečnostní pokyny, instrukce, popisy a údaje, které obdržíte s přístrojem. Pokud následující pokyny nedodržíte, může to vést k úderu elektrickým proudem, požáru nebo těžkým poraněním.

Všechna varovná upozornění a pokyny do budoucna uschovejte.

⚠ BEZPEČNOSTNÍ POKYNY K ČERPADLŮM

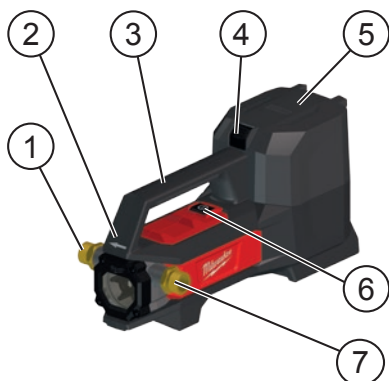
- Neumísťte čerpadlo pod vodu ani na mokré plochy. Čerpadlo vždy umístíte pouze do suchých míst.
- Pozor! Nebezpečí úrazu elektrickým proudem! NEPŘIPOJUJTE čerpadlo k potrubí.
- Nečerpejte hořlavé či výbušné kapaliny, jako např. benzín, topný olej, petrolej atd. Zařízení nepoužívejte v prostorách s nebezpečím výbuchu.
- Nečerpejte vodu s teplotou nad 60 °C (140 °F). Nečerpejte písek, pevné částice nebo velké kusy sutě. Ty by čerpadlo poškodily.
- Nenechávejte čerpadlo běžet nasucho déle než 10 vteřin. Když práci dokončíte, čerpadlo rychle vypněte. Před instalací nebo prováděním servisu vždy vyjměte akumulátor.
- Nenechávejte čerpadlo v provozu bez dozoru. Nedbání tohoto upozornění by mohlo vést ke zranění a /nebo smrti osob.
- Před instalací nebo prováděním servisu vždy vyjměte akumulátor. S čerpadlem nikdy nemanipulujte, když máte mokré ruce, když stojíte na mokrém nebo vlhkém povrchu či ve vodě. V takovém případě by mohlo dojít ke smrtelnému úrazu elektrickým proudem.
- Před spuštěním čerpadla zajistěte vypouštěcí hadici. Nezajištěná vypouštěcí hadice se může pohybovat. Mohlo by dojít ke zranění a / nebo smrti osob.
- Nepoužívejte čerpadlo, jestliže spínač nespíná a nevypíná chod čerpadla. Každé čerpadlo, jehož chod nelze ovládat spínačem, je nebezpečné a je potřeba ho nechat opravit.

- Nepoužívejte čerpadlo v prostorách obsahujících ve vzduchu výbušné látky, jako jsou hořlavé kapaliny, plyny nebo prach. Motory jiskří a mohou být příčinou vznícení prachu nebo plynů.
- Vhodně se oblečte. Nenoste volné oblečení ani šperky. Udržujte své vlasy, oblečení a rukavice v dostatečné vzdálenosti od pohyblivých částí. K zakrytí dlouhých vlasů noste ochrannou pokrývku hlavy. Volné oděvy, šperky nebo dlouhé vlasy se mohou zachytit do pohyblivých se částí stroje.
- Nenaklánejte se příliš a stále udržujte rovnováhu. Správné umístění a vyvážení stroje umožňuje jeho lepší kontrolu v neočekávaných situacích.

Tento přístroj není vhodný k použití prostřednictvím osob (včetně dětí) se sníženými tělesnými, smyslovými a duševními schopnostmi nebo chybějícími zkušenostmi popř. odbornými znalostmi, ledaže by takové osoby byly příslušně poučené nebo pokud by byly pod dohledem osoby zodpovědné za jejich bezpečnost. Kromě toho je nutné na děti dávat pozor také kvůli tomu, aby se zabezpečilo, že si s přístrojem nebudou hrát.

Děti si nesmí s přístrojem hrát.

Čištění a údržbu přístroje nesmí děti vykonávat bez dozoru.



- | | |
|---------------------------------|------------------------|
| ① Odtok | ⑤ Schránka akumulátoru |
| ② Indikátor směru proudu | ⑥ Spínač / vypínač |
| ③ Rukojeť | ⑦ Přívod |
| ④ Tlačítko schránky akumulátoru | |

DALŠÍ BEZPEČNOSTNÍ A PRACOVNÍ POKYNY

- Čerpadlo není určeno na pitnou vodu ani na jiné pitné kapaliny.
- Před prováděním jakýchkoli úprav, výměnou příslušenství nebo uskladněním vždy z čerpadla vyjměte akumulátor. Učiněním takových preventivních bezpečnostních opatření snížíte riziko náhodného spuštění zařízení.
- Udržujte rukojeti a uchopovací plochy suché, čisté a bez oleje a mastnoty. Pokud jsou rukojeti a uchopovací plochy kluzké, není možná bezpečná manipulace a ovládání stroje v neočekávaných situacích.
- Při používání čerpadla udržujte okolostojící, děti a návštěvníky mimo pracovní prostor. Nepozornost může vést k chybám.
- Při práci s tímto čerpadlem buďte vždy pozorní, sledujte, co děláte, a používejte zdravý rozum. S tímto čerpadlem nepracujte, když jste unavení nebo pod vlivem omamných látek, alkoholu nebo léků. Okamžik nepozornosti může mít za následek vážné zranění.
- Používejte ochranné pomůcky. Vždy noste ochranu očí. Za příslušných podmínek musí obsluha používat prachovou masku, pracovní obuv s protiskluzovou podrážkou a přílbu.
- Praxe získaná častým používáním strojů není omluva pro to, abyste nedbali pokynů pro jejich používání a zásad bezpečnosti pro práci s nimi. Kvůli nedbalosti může dojít k vážnému zranění i ve zlomku vteřiny.
- Nečerpajte vodu z potoků, rybníků nebo zdrojů, ze kterých mohou být do čerpadla nasáti cizí předměty. Do přívodní hadice by se mohly dostat pevné látky.
- Udržujte své pracoviště čisté a mějte jej vždy dobře osvětlené. Nepořádek a neosvětlené prostory jsou častou příčinou úrazů.
- Pouze pro použití ve vnitřních prostorách.
- Používejte hadice s mosaznou koncovkou s vnitřním závitem BSPT o vnitřním průměru 19 mm (3/4").
- Jako přívodní hadice by se měla používat odolná silná hadice, aby se předešlo jejímu případnému nechtěnému odpojení. Použijte nejlépe hadici o krátké délce a s velkým průměrem, jako např.

zahradni hadici o délce 183 cm (6') a s vnitřním průměrem 19 mm (3/4"). Delší či slabší hadice mohou snižovat výkon a průtokovou rychlost.

- Obvyčejnou zahradni hadici je možné použít jako výpustní hadici.

OBLAST VYUŽITÍ

Toto čerpadlo je určeno pro aplikace, jako je vypouštění ohřívачů vody, nádrží atd. Čerpadlo není vodotěsné ani odolné proti povětrnostním vlivům a není vhodné pro používání v exteriéru nebo v prostorách sprch, saun nebo na dalších potenciálně vlhkých místech.

Toto čerpadlo bylo posuzováno pouze pro použití s čistou vodou. Není určeno pro manipulaci se slanou vodou, solnými roztoky, pro vypouštění vody z praček nebo jakoukoli jinou aplikaci, při které se může manipulovat s žíravinami a /nebo cizím materiálem. Čerpadlo není vhodné pro použití v přítomnosti vodních živočichů.

Toto zařízení lze používat jen pro uvedený účel.

AKUMULÁTORY

Déle nepoužívané akumulátory je nutné před použitím znovu nabít. Teplota přes 50°C snižuje výkon akumulátoru. Chraňte před dlouhým přehříváním na slunci či u topení.

Kontakty nabíječky a akumulátoru udržujte v čistotě.

Pro optimální životnost je nutné akumulátory po použití plně dobít. Déle nepoužívané akumulátory je nutné před použitím znovu nabít.

K zabezpečení dlouhé životnosti by se akumulátory měly po nabití vyjmout z nabíječky.

Při skladování akumulátoru po dobu delší než 30 dní: Skladujte akumulátor v suchu při cca 27°C. Skladujte akumulátor při cca 30%-50% nabíjecí kapacitě. Opakujte nabíjení akumulátoru každých 6 měsíců.

Použití nevyhazujte do domovního odpadu nebo do ohně. Milwaukee nabízí ekologickou likvidaci starých článků, ptejte se u vašeho obchodníka s nářadím.

Náhradní akumulátor neskladujte s kovovými předměty, nebezpečí zkratu.

Akumulátor systému M18 nabíjejte pouze nabíječkou systému M18. Nenabíjejte akumulátory jiných systémů.

Náhradní akumulátory ani nabíječku neotvírejte, skladujte je v suchu, chraňte před vlhkem.

Při extrémní zátěži či vysoké teplotě může z akumulátoru vytékat kapalina. Při zasažení touto kapalinou okamžitě zasažená místa omyjte vodou a mýdlem. Při zasažení očí okamžitě důkladně po dobu alespoň 10min. omyvat a neodkladně vyhledat lékaře.

V nabíjecím postu nabíječky neskladujte kovové předměty, nebezpečí zkratu.

OCHRANA PROTI PŘETÍŽENÍ AKUMULÁTORU

Při přetížení akumulátoru prostřednictvím příliš vysoké spotřeby proudu, např. extrémně vysoké kroučící momenty, uvíznutí nasazovaného nářadí, prudké nečekané zastavení nebo zkrat, se elektrické nářadí na 2 sekundy zastaví a samostatně se vypne.

K opětovnému zapnutí uvolněte a následně opět stiskněte tlačítkový vypínač.

Při extrémním zatížení se akumulátor může silně zahřát. Dojde-li k tomu, akumulátor se vypne.

Akumulátor v tomto případě k dobíetí a aktivaci vložte opět do nabíječky.



Čes

PŘEPRAVA LITHIUM-IONTOVÝCH BATERIÍ

Lithium-iontové baterie spadají podle zákonných ustanovení pod přepravu nebezpečného nákladu.

Přeprava těchto baterií se musí realizovat s dodržováním lokálních, vnitrostátních a mezinárodních předpisů a ustanovení.

Spotřebitelé mohou tyto baterie bez problémů přepravovat po komunikacích.

Komerční přeprava lithium-iontových baterií prostřednictvím přepravních firem podléhá ustanovením o přepravě nebezpečného nákladu. Přípravu k vyexpedování a samotnou přepravu směji vykonávat jen příslušně vyškolení osoby. Na celý proces se musí odborně dohlížet.

Při přepravě baterií je třeba dodržovat následující:

Zajistěte, aby kontakty byly chráněné a izolované, aby se zamezilo zkratům. Dávejte pozor na to, aby se svazek baterií v rámci balení nemohl sesmeknout. Poškozené a vyteklé baterie se nesmějí přepravovat. Ohledně dalších informací se obraťte na vaši přepravní firmu.



ÚDRŽBA

Údržba čerpadla a příslušenství. Kontrolujte nastavení či spoje pohyblivých částí čerpadla, zda nedošlo k poškození součástí a zda se nevyskytuje žádná jiná závada, která může mít vliv na jeho provoz. Pokud došlo k poškození čerpadla, nechejte ho před dalším použitím opravit. Při provozu špatně udržovaného čerpadla může dojít k úrazům.

- Před zahájením veškerých prací na vrtacím šroubovákú vyjmout výměnný akumulátor. Před prováděním servisu jakékoli části stroje uvolněte veškerý tlak v soustavě.
- Před prováděním servisu vyčerpejte z čerpadla všechny kapaliny.
- Pravidelně kontrolujte čerpadlo a jeho části, zkontrolujte, zda nejsou hadice slabé a /nebo opotřebené. Zkontrolujte, zda není oběžné kolo opotřebené nebo zablokované. Ujistěte se, že jsou všechny spoje řádně dotaženy.
- Při prováděním servisu čerpadla používejte pouze stejné náhradní díly. Dodržujte pokyny uvedené v části „Údržba“ tohoto návodu. Při použití neoriginálních náhradních dílů nebo nedodržení pokynů k údržbě hrozí riziko úrazu elektrickým proudem nebo zranění osob a může navíc vést ke zneplatnění záruky.
- Neupravujte a ani se nepokoušejte opravit čerpadlo nebo jeho akumulátor jiným způsobem, než jak je uvedeno v pokynech pro použití a údržbu.

- Čištění a údržbu přístroje nesmí děti vykonávat bez dozoru.

Přístroj používejte pouze v případě, že je v nepoškozeném stavu.

Opravy smí provádět pouze odborný elektrikář tak, že budou použity originální náhradní díly; v opačném případě mohou pro uživatele vzniknout rizika.

Přístroj a ochranný kryt čistěte suchým hadříkem.

Některé čisticí prostředky poškozují plast nebo jiné izolované části.

Pravidelná údržba a čištění zajistí dlouhou životnost a bezpečnou manipulaci.

Je nutné provádět údržbu a dodržovat intervaly údržby.

Provádějte pouze takové údržbařské práce, které jsou popsáné v tomto provozním návodu.

Používat výhradně příslušenství Milwaukee a náhradní díly Milwaukee. Díly jejichž výměny nebyla popsána, nechte vyměnit v autorizovaném servisu (viz. „Záruky / Seznam servisních míst“)

Při potřebě podrobného rozkresu konstrukce, oslovte informaci o typu a čísle přímo servis a nebo výrobce, Techtronic Industries GmbH, Max-Eyth-Straße 10, 71364 Winnenden, Germany.

ŘEŠENÍ PROBLÉMŮ

PROBLÉM	PŘÍČINA	NÁPRAVA
Čerpadlo neběží.	Zablokované oběžné kolo.	Viz „Výměna / vyčištění oběžného kola“
Průtoková rychlost je příliš nízká.	Je ucpané nebo poškozené přívodní / odtokové vedení. Přívodní přípojka netěsní. Kryt oběžného kola není pevně nasazený. Oběžné kolo je opotřebené.	Vyměňte přívodní / odtokové vedení. Zkontrolujte, zda není vedení ucpané, zamotané nebo pokroucené. Odstraňte předměty, které systém zablokovaly. Utěsněte přívodní přípojku, v případě potřeby použijte i teflonovou pásku nebo těsnění. Ručně utáhněte čtyři (4) krycí šrouby. Viz „Výměna / čištění oběžného kola“
Čerpadlo neběží.	Čerpadlo neběží, jelikož v něm není tekutina. Oběžné kolo je zablokované. Baterie není při spuštění správně vložená.	Napravte situaci, poté stroj vypněte a zase zapněte.
Čerpadlo neběží kvůli přehřátí	Odtokové vedení je ucpané. Odtokové vedení je umístěno příliš vysoko. Odtokové vedení je příliš dlouhé. Čerpadlo bylo v provozu příliš dlouho.	Nechejte čerpadlo zchladnout. Napravte situaci, poté stroj vypněte a zase zapněte.

SYMBOLY



POZOR! VAROVÁN! NEBEZPEČÍ!



Před spuštěním stroje si pečlivě přečtěte návod k používání.



Používejte chrániče sluchu!



Při práci se strojem neustále nosit ochranné brýle.



Není určeno pro hořlavé látky ani žíravé kapaliny.



Max. teplota kapaliny, která má být přečerpávána, nesmí překročit 60 °C (140 °F).



Pozor! Neutahujte příliš silně a neutahujte pomocí kleští.



Není odolné vůči mrazu



Max. nepřetržitá doba chodu 1 h.



Při používání čerpadla udržte okolostojící, děti a návštěvníky mimo pracovní prostor.



Zařízení lze používat jen ve vnitřních prostorách, nepoužívat v dešti.



Před zahájením veškerých prací na vrtacím šroubováku vyjmout výměnný akumulátor.



Náhradní díl - Není součástí standardního vybavení, je k dispozici jako náhradní díl.



Elektrická zařízení, baterie/akumulátory se nesmí likvidovat společně s odpadem z domácnosti. Elektrická zařízení, baterie/akumulátory je třeba sbírat odděleně a odevzdat je v recyklačním podniku na ekologickou likvidaci. Na místních úřadech nebo u vašeho specializovaného prodejce se informujte na recyklační podniky a sběrné dvory.

V napětí



Stejnoseměrný proud



Značka shody v Evropě



Značka shody na Ukrajině



Značka shody pro oblast Eurasie



TECHNICKÉ ÚDAJE Kompaktné transferové čerpadlo	M18 BTP
Výrobné číslo	4742 30 01 000001-999999
Napätie výmenného akumulátora	18 V
Trieda ochrany	IPX4
Prietoková rýchlosť max.	30,3 l/min
Výška hlavy max.	23 m
Výška zdvihu max.	5,5 m
Teplota vody max.	60 °C
Teplota vzduchu max.	40 °C
Montáž čerpadla	13 mm (1/2") NPT vonkajší závit 19 mm (3/4") BSPT vonkajší závit
(Hadica)	19 mm (3/4") BSPT vnútorný závit
Nepretržitá doba chodu max.	1 h
Hmotnosť bez aku	3,4 kg
Hmotnosť podľa vykonávacieho predpisu EPTA 01/2014 (Li-Ion 2,0 Ah ... 12,0 Ah)	4,0 kg..., 5,1 kg
Odporúčané akupaky	M18B...M18HB
Odporúčané nabíjačky	M12-18...; M1418C6



Slov

⚠ POZOR Prečítajte si všetky bezpečnostné upozornenia, pokyny, vyobrazenia a údaje, ktoré dostanete spolu s prístrojom. Ak by ste nedodržali nasledujúce pokyny, mohlo by to mať za následok zásah elektrickým prúdom, vznik požiaru a/alebo vážne poranenie.

Tieto Výstražné upozornenia a bezpečnostné pokyny starostlivo uschovajte na budúce použitie.

⚠ BEZPEČNOSTNÉ POKYNY PRE ČERPADLÁ

- Neumiestňujte čerpadlo pod vodu ani do vlhkých priestorov. Čerpadlo umiestňujte len na suchých miestach.
- Pozor! Nebezpečí úrazu elektrickým prúdom! NEPRIPÁJAJTE potrubie k čerpadlu.
- Nečerpajte horľavé ani výbušné kvapaliny, ako je benzín, vykurovací olej, petrolej, atď. Prístroj nepoužívať v priestoroch s explóznymi látkami.
- Nečerpajte vodu s teplotou nad 60 °C (140 °F). Nečerpajte piesok, častice ani veľké úlomky. Dôjde k poškodeniu čerpadla.
- Nedovoľte, aby čerpadlo pracovalo nasucho dlhšie ako 10 sekúnd. Keď je úloha dokončená, čerpadlo rýchlo vypnite. Pred inštaláciou alebo servisom čerpadla vždy vyberte akumulátor.
- Nedovoľte, aby toto čerpadlo bolo v prevádzke bez dozoru. Nedodržanie tohto upozornenia by mohlo viesť k zraneniu osôb a/alebo k úmrtiu.
- Pred inštaláciou alebo servisom čerpadla vždy vyberte akumulátor. Nikdy nemanipulujte s čerpadlom mokrymi rukami, ani keď stojíte na mokrom alebo vlhkom povrchu alebo vo vode. Mohlo by dôjsť k smrteľnému úrazu elektrickým prúdom.
- Pred spustením čerpadla zaistite vypúšťaciu hadicu. Nezaistená vypúšťacia hadica môže sľahať. Mohlo by dôjsť k zraneniu osôb a/alebo k úmrtiu.
- Nepoužívajte čerpadlo, pokiaľ ho spínač nezapína a nevyvíja. Akékoľvek čerpadlo, ktoré nie je možné ovládať spínačom, je nebezpečné a musí sa opraviť.

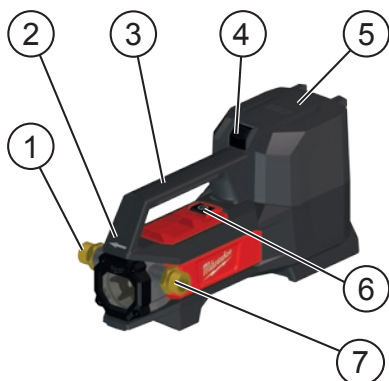
- Nepoužívajte čerpadlo vo výbušnom prostredí, napríklad v prítomnosti horľavých kvapalín, plynov alebo prachu. Motory vytvárajú iskry, ktoré zapália prach z výparov.
- Vhodne sa oblečte. Nenoste voľné oblečenie ani šperky. Udržujte svoje vlasy, oblečenie a rukavice v dostatočnej vzdialenosti od pohyblivých častí. Na zakrytie dlhých vlasov noste ochrannú pokrývku. Voľné oblečenie, šperky alebo dlhé vlasy by sa mohli zachytiť v pohyblivých častiach.
- Nenakláňajte sa príliš a stále udržiavajte rovnováhu. Správne postavenie a rovnováha umožňujú lepšiu kontrolu v neočakávaných situáciách.

Tento prístroj nie je vhodný na použitie prostredníctvom osôb (vrátane detí) so zníženými telesnými, zmyslovými a duševnými schopnosťami alebo chýbajúcimi skúsenosťami príp. odbornými znalosťami, iba ak by tieto boli adekvátne poučené, alebo ak by boli pod dohľadom osoby zodpovednej za ich bezpečnosť. Okrem toho treba na deti dávať pozor aj kvôli tomu, aby sa zabezpečilo, že sa s prístrojom nebudú hrať.

Deti sa nesmú s prístrojom hrať.

Čistenie a údržbu prístroja nesmú deti vykonávať bez dozoru.

Slovensky



- | | |
|-----------------------------------|--------------------------|
| ① Vývod | ⑤ Priehradka pre batériu |
| ② Smer prietoku meru | ⑥ Tlačidlo Zap/Vyp |
| ③ Rukoväť | ⑦ Prívod |
| ④ Tlačidlo priehradky pre batériu | |

ĎALŠIE BEZPEČNOSTNÉ A PRACOVNÉ POKYNY

- Nie pre pitnú vodu alebo iné pitné kvapaliny.
- Pred vykonaním akýchkoľvek úprav, výmenou príslušenstva alebo uskladnením zariadenia vždy vyberte akumulátor z čerpadla. Takéto preventívne bezpečnostné opatrenia znižujú riziko náhodného spustenia zariadenia.
- Udržiavajte rukoväť a uchopovacie plochy suché, čisté a bez oleja a mastnoty. Smyklivé rukoväte a uchopovacie povrchy neumožňujú bezpečnú manipuláciu a ovládanie nástroja v neočakávaných situáciách.
- Počas prevádzky čerpadla udržiavajte okolostojacích, deti a návštevníkov bokom. Nepozornosť bude mať za následok chyby.
- Budte ostražití, sledujte, čo robíte a pri prevádzke tohto čerpadla používajte zdravý rozum. Nepokúšajte sa prevádzkovať toto čerpadlo, keď ste unavení alebo ste pod vplyvom drog, alkoholu alebo liekov. Okamih nepozornosti môže viesť k vážnemu zraneniu osôb.
- Používajte bezpečnostné vybavenie. Vždy noste ochranu očí. Za vhodných podmienok sa musí použiť maska proti prachu, neklzáva bezpečnostná obuv a prilba.
- Nedovoľte, aby Vám Vaša oboznamenosť, ktorú ste získali častým používaním nástrojov, umožnila stať sa spokojnými a ignorovať zásady bezpečnosti nástrojov. Neopatrné konanie môže spôsobiť vážne zranenie v zlomku sekundy.
- Nečerpajte vodu z potoka, rybníka alebo zdroja, z ktorého môžu byť do čerpadla nasávané cudzie predmety. Do prívodnej hadice sa môžu dostať pevné látky.
- Udržujte pracovný priestor čistý a dobre osvetlený. Preplnené alebo tmavé oblasti vyvolávajú nehody.
- Použitie len vo vnútorných priestoroch.
- Použite hadice s mosadznou tvarovkou s vnútorným závitom BSPT s priemerom 19 mm (3/4").

- Ako prívodná hadica by sa mala použiť silná hadica, aby sa zabránilo možnému zlyhaniu hadice. Pre dosiahnutie najlepších výsledkov použite krátku hadicu s veľkým priemerom, ako je napríklad záhradná hadica s dĺžkou 183 cm (6') a s vnútorným priemerom 19 mm (3/4"). Dlhšie alebo tenšie hadice môžu znížiť výkon a prietokovú rýchlosť.
- Ako vývodná hadica sa môže použiť bežná záhradná hadica.

POUŽITIE PODĽA PREDPISOV

Toto čerpadlo je určené pre použitia, ako sú vyprázdňovanie ohrievačov vody, nádrží atď. Čerpadlo nie je vode odolné ani odolné voči poveternostným vplyvom a nie je určené na použitie vonku ani vo vnútri sprch, sáun alebo iných potenciálne vlhkých miest.

Toto čerpadlo je určené len na použitie s čistou vodou. Nie je navrhnuté na manipuláciu so slanou vodou, soľankou, vypúšťaním práčky alebo s inými použitiami, ktoré môžu obsahovať zieravé chemikálie a/alebo cudzie látky. Toto čerpadlo nie je vhodné na použitie vo vodnom svete.

Tento prístroj sa smie používať len v súlade s uvedenými predpismi.

AKUMULÁTORY

Dlhší čas nepoužívané výmenné akumulátory pred použitím dobiť.

Teplota vyššia ako 50°C znižuje výkon výmenného akumulátora. Zabráňte dlhšiemu ohriatiu slnkom alebo kúrením.

Pripájacie kontakty na nabíjacom zariadení a výmennom akumulátore udržiavať čisté.

Pre optimálnu životnosť je nutné akumulátory po použití plne dobiť. Dlhší čas nepoužívané výmenné akumulátory pred použitím dobiť.

K zabezpečeniu dlhej životnosti by sa akumulátory mali po nabití vybrať z nabíjačky.

Pri skladovaní akumulátora po dobu dlhšiu než 30 dní: Skladujte akumulátor v suchu pri cca 27°C. Skladujte akumulátor pri cca 30%-50% nabíjacej kapacity., Opakujte nabíjanie akumulátora každých 6 mesiacov.

Opotrebované výmenné akumulátory nezahadzujte do ohňa alebo medzi domový odpad. Milwaukee ponúka likvidáciu starých výmenných akumulátorov, ktorá je v súlade s ochranou životného prostredia; informujte sa u Vášho predajcu.

Výmenné akumulátory neskladovať spolu s kovovými predmetmi (nebezpečenstvo skratu).

Výmenné akumulátory systému M18 nabíjať len nabíjacími zariadeniami systému M18. Akumulátory iných systémov týmto zariadením nenabíjať.

Výmenné akumulátory a nabíjacie zariadenia neotvárať a skladovať len v suchých priestoroch. Chrániť pred vlhkosťou.

Pri extrémnych záťažach alebo extrémnych teplotách môže dôjsť k vytekaniu batérovej tekutiny z poškodeného výmenného akumulátora. Ak dôjde ku kontaktu pokožky s roztokom, postihnuté miesta umyť vodou a mydlom. Ak sa roztok dostane do očí, okamžite ich dôkladne vypláchnuť po dobu min. 10 min a bezodkladne vyhľadať lekára.

Do zasúvacieho otvoru pre výmenné akumulátory na nabíjacom zariadení, sa nesmú dostať žiadne kovové predmety (nebezpečenstvo skratu).



Slov

OCHRANA PROTI PREŽAŽENIU AKUMULÁTORA

Pri prežatí akumulátora prostredníctvom príliš vysokej spotreby prúdu, napr. extrémne vysoké krútiace momenty, uviaznutie nasadzovaného náradia, prudké nečakané zastavenie alebo skrat, sa elektrické náradie na 2 sekundy zastaví a samostatne sa vypne. K opätovnému zapnutiu uvoľníte a následne opäť stlačíte tlačidlový vypínač.

Pri extrémnom zatažení sa akumulátor môže silne zahriať. Ak k tomu dôjde, akumulátor sa vypne.

Akumulátor v tomto prípade k dobitiu a aktivácii vložte opäť do nabíjacky.

PREPRAVA LÍTIOVO-IÓNOVÝCH BATÉRIÍ

Lítiovo-iónové batérie podľa zákonných ustanovení spadajú pod prepravu nebezpečného nákladu.

Preprava týchto batérií sa musí realizovať s dodržiavaním lokálnych, vnútroštátnych a medzinárodných predpisov a ustanovení.

Spotrebiteľia môžu tieto batérie bez problémov prepravovať po cestách.

Komerčná preprava lítiovo-iónových batérií prostredníctvom špeciálnych firiem podlieha ustanoveniam o preprave nebezpečného nákladu. Prípravu k vyexpedovaniu a samotnú prepravu smú vykonávať iba adekvátne vyškolené osoby. Na celý proces sa musí odborne dohliadať.

Pri preprave batérií treba dodržiavať nasledovné:

Zabezpečte, aby boli kontakty chránené a izolované, aby sa zamedžilo skratom. Dávajte pozor na to, aby sa zväzok batérií v rámci balenia nemohol zošmyknúť. Poškodené a vytečené batérie sa nesmú prepravovať. Kvôli ďalším informáciám sa obráťte na vašu špeciálnu firmu.

ÚDRŽBA

Vykonávajte údržbu čerpadla a príslušenstva. Skontrolujte nastavenie a spojenie pohyblivých častí, poškodenie dielov a akékoľvek ďalšie okolnosti, ktoré by mohli ovplyvniť prevádzku čerpadla. V prípade poškodenia nechajte čerpadlo pred použitím opraviť. Nehody môžu byť spôsobené nedostatočne udržiavaným čerpadlom.

- Pred každou prácou na stroji výmenný akumulátor vyťahnuť. Pred servisom akéhokoľvek komponentu uvoľníte všetok tlak v systéme.
- Pred servisom vypustíte všetky kvapaliny zo systému.
- Pravidelne kontrolujte komponenty čerpadla a systému, kontrolujte, či hadice nie sú slabé a/alebo opotrebované. Skontrolujte, či obežné koleso nie je opotrebované alebo zablokované. Uistite sa, že všetky pripojenia sú bezpečné.
- Pri výkone servisu čerpadla používajte iba identické náhradné diely. Postupujte podľa pokynov v časti Údržba tohto návodu. Používanie neschválených častí alebo nedodržanie pokynov na údržbu môže spôsobiť riziko úrazu elektrickým prúdom alebo riziko iného úrazu a môže dôjsť k zániku záruky.
- Neupravujte ani sa nepokúšajte opraviť čerpadlo alebo akumulátor, okrem prípadov uvedených v návode na použitie a starostlivosť.
- Čistenie a údržbu prístroja nesmú deti vykonávať bez dozoru.

Prístroj používajte iba v prípade, ak je v bezchybnom stave.

Opravy smie realizovať iba odborník elektrikár tak, že budú použité originálne náhradné diely; v opačnom prípade môžu vzniknúť pre používateľa riziká.

Prístroj a ochranné zariadenie čistite suchou handričkou.

Niektoré čistiace prostriedky poškodzujú plast alebo iné izolované časti.

Pravidelná údržba a čistenie sa postará o dlhú životnosť a bezpečnú manipuláciu.

Nutne dodržiavajte údržbu a intervaly údržby.

Prevádzajte iba tie údržbárske práce, ktoré sú popísané v tomto prevádzkovom návode.

Používať len Milwaukee príslušenstvo a Milwaukee náhradné diely. Súčiastky bez návodu na výmenu treba dať vymeniť v jednom z Milwaukee zákaznických centier (viď' brožúru Záruka/Adresy zákaznických centier).

Pri udaní typu stroja a čísla nachádzajúceho sa na štítku dá sa v prípade potreby vyžiadať explozívna schéma prístroja od vášho zákaznického centra alebo priamo v Techtronic Industries GmbH, Max-Eyth-Straße 10, 71364 Winnenden, Germany.



Slov

PROBLÉM	PRÍČINA	OPRAVA
Čerpadlo nebude fungovať.	Blokovanie obežného kolesa.	Pozri „Výmena/čistenie obežného kolesa“
Prietoková rýchlosť je príliš nízka.	Prívodné/vývodné potrubie je upchaté alebo poškodené. Prívodné pripojenie nie je vzduchotesné. Kryt obežného kolesa nie je pevne zaistený. Obežné koleso opotrebované.	Vymeňte prívodné/vývodné potrubie. Skontrolujte, či potrubia nie sú zablokované, skrútené alebo ohnuté. Uvoľnite blokovania. Prívodné pripojenie utiahnite, v prípade potreby pridajte teflónovú pásku alebo tesnenie. Ručne utiahnite štyri (4) skrutky krytu. Pozri „Výmena/čistenie obežného kolesa“
Zatvorenie čerpadla.	Zatvorenie suchého čerpadla. Uzamknuté obežné koleso. Batéria je nainštalovaná pri zapnutom čerpadle.	Napravte situáciu, potom vypnite nástroj a potom znova resetujte.
Zatvorenie kvôli prehriatiu	Blokované vývodné potrubie. Vývodné potrubie príliš vysoké. Vývodné potrubie príliš dlhé. Čerpadlo ZAPNUTÉ príliš dlho.	Nechajte čerpadlo vychladnúť. Napravte situáciu, potom vypnite nástroj a potom znova resetujte.



POZOR! NEBEZPEČENSTVO!



Pred prvým použitím prístroja si pozorne prečítajte návod na obsluhu.



Používajte ochranu sluchu!



Pri práci so strojom vždy noste ochranné okuliare.



Nie pre horľavé alebo žieravé chemikálie.



Max. teplota prenášanej kvapaliny nesmie prekročiť 60 °C (140 °F).



Pozor! Nie príliš silno a neutľahujte kliešťami.



Nie odolné voči mrazu



Max. nepretržitá doba chodu 1 h.



Počas prevádzky čerpadla udržiavajte okolostojacích, deti a návštevníkov bokom.



Prístroj je určený na použitie v krytých priestoroch, prístroj nevystavujte dažďu.



Pred každou prácou na stroji výmenný akumulátor vyťahnuť.



Náhradný diel - Nie je súčasťou štandardného vybavenia, je k dispozícii ako náhradný diel.



Elektrické zariadenia, batérie/akumulátory sa nesmú likvidovať spolu s odpadom z domácností. Elektrické zariadenia, batérie/akumulátory treba zbierať oddelene a odovzdať ich v recyklačnom podniku na ekologickú likvidáciu. Na miestnych úradoch alebo u vášho špecializovaného predajcu sa spýtajte na recyklačné podniky a zberné dvory.



Napätie



Jednosmerný prúd



Značka zhody v Európe



Značka zhody na Ukrajine



Značka zhody pre oblasť Eurázie



Slov

DANE TECHNICZNE Kompaktowa pompa transportowa	M18 BTP
Numer produkcyjny	4742 30 01 000001-999999
Napięcie baterii akumulatorowej	18 V
Klasa ochrony	IPX4
Natężenie przepływu maks.	30,3 l/min
Wysokość głowicy maks.	23 m
Wysokość podnoszenia maks.	5,5 m
Temperatura wody maks.	60 °C
Temperatura powietrza maks.	40 °C
Złącze pompy	13 mm (1/2") NPT gwint zewnętrzny 19 mm (3/4") BSPT gwint zewnętrzny
(Wąż)	19 mm (3/4") BSPT gwint wewnętrzny
Czas pracy ciągłej maks.	1 h
Ciężar bez akumulatorem	3,4 kg
Ciężar wg procedury EPTA 01/2014 (Li-Ion 2,0 Ah ... 12,0 Ah)	4,0 kg..., 5,1 kg
Zalecane zestawy akumulatorowe	M18B...M18HB
Zalecane ładowarki	M12-18...; M1418C6



Pol

⚠ OSTRZEŻENIE Przeczytać wszystkie wskazówki bezpieczeństwa, instrukcje, ilustracje i dane dołączone do urządzenia. Jeśli nie będą przestrzegane następujące przepisy, może dojść do porażenia prądem, pożaru i/lub ciężkich obrażeń ciała. **Należy starannie przechowywać wszystkie przepisy i wskazówki bezpieczeństwa dla dalszego zastosowania.**

⚠ INSTRUKCJE BEZPIECZEŃSTWA DLA POMPY

- Nie należy umieszczać pompy pod wodą lub w miejscach wilgotnych. Pompę należy umieszczać wyłącznie w suchych miejscach.
- Uwaga! Niebezpieczeństwo porażenia elektrycznego. NIE wolno podłączać przewodu do pompy.
- Nie wolno pompować płynów łatwopalnych lub wybuchowych, takich jak benzyna, olej opałowy, nafta itp. Nie używać przyrządu w pomieszczeniach z atmosferą wybuchową.
- Nie wolno pompować wody o temperaturze powyżej 60 °C (140 °F). Nie wolno pompować piasku, cząstek stałych lub dużych zanieczyszczeń. Może to spowodować uszkodzenie pompy.
- Nie pozwolić, aby pompa pracowała na sucho dłużej niż 10 sekund. Po zakończeniu pracy należy szybko wyłączyć pompę. Przed przystąpieniem do instalacji lub serwisowania pompy należy zawsze wyjąć akumulator.
- Nie wolno dopuścić, aby pompa pracowała bez nadzoru. Nieprzestrzeganie tego ostrzeżenia może spowodować obrażenia ciała i/lub śmierć.
- Przed przystąpieniem do instalacji lub serwisowania pompy należy zawsze wyjąć akumulator. Nigdy nie należy obsługiwać pompy mokrymi rękoma lub stojąc na mokrej lub wilgotnej powierzchni lub w wodzie. Może dojść do śmiertelnego porażenia prądem elektrycznym.
- Przed uruchomieniem pompy należy zabezpieczyć wąż do opróżniania. Niezabezpieczony wąż odprowadzający może spowodować uderzenie. Może to spowodować obrażenia ciała i/

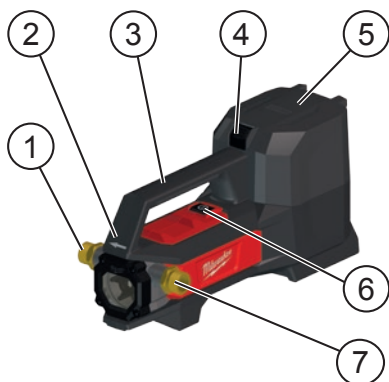
lub śmierć.

- Nie należy używać pompy, jeśli jej wyłącznik/wyłącznik nie działa. Każda pompa, którą nie można sterować za pomocą przełącznika, jest niebezpieczna i musi zostać naprawiona.
- Nie wolno eksploatować pompy w środowisku zagrożonym wybuchem, np. w obecności łatwopalnych cieczy, gazów lub pyłów. Silniki wytwarzają iskry, które zapalają pył spalin.
- Ubiierz się odpowiednio. Nie noś luźnej odzieży ani biżuterii. Włosy, ubranie i rękawice trzymaj z dala od ruchomych części. W przypadku długich włosów używaj siatki na włosy. Luźne ubrania, biżuteria lub długie włosy mogą zostać pochwycone przez ruchome części.
- Nie wychylać się zbyt daleko i zawsze utrzymywać równowagę. Właściwa postawa i równowaga ciała zapewniają lepszą kontrolę w nieoczekiwanych sytuacjach.

Urządzenie to nie jest przeznaczone do tego, aby mogło być używane przez osoby (łącznie z dziećmi) o ograniczonych zdolnościach fizycznych, sensorycznych lub umysłowych lub osób o braku doświadczenia względnie wiedzy fachowej, chyba że będą one nadzorowane przez osobę odpowiedzialną za ich bezpieczeństwo lub zostaną przez nią odpowiednio poinstruowane, jak należy używać tego urządzenia. Ponadto należy nadzorować dzieci, aby upewnić się, że nie będą one bawiły się urządzeniem.

Dzieci nie mogą bawić się urządzeniem.

Czyszczenie i czynności konserwacyjne nie mogą być wykonywane przez dzieci bez nadzoru dorosłych.



- | | |
|-------------------------------|---------------------------|
| ① Wylot | ④ Przycisk komory baterii |
| ② Wskaźnik kierunku przepływu | ⑤ Komora baterii |
| ③ Uchwyt | ⑥ Włacznik/wyłącznik |
| | ⑦ Wlot |

DODATKOWE WSKAZÓWKI BEZPIECZEŃSTWA I INSTRUKCJE ROBOCZE

- Nie służy do pompowania wody pitnej i innych płynów pitnych.
- Należy zawsze wyjmować akumulator z pompy przed dokonaniem jakichkolwiek regulacji, zmianą akcesoriów lub przechowywaniem urządzenia. Takie zapobiegawcze środki bezpieczeństwa zmniejszają ryzyko przypadkowego uruchomienia urządzenia.
- Uchwyt i powierzchnie chwytowe należy utrzymywać w stanie suchym, czystym i wolnym od oleju i tłuszczu. Śliskie uchwyty i powierzchnie chwytowe nie pozwalają na bezpieczną obsługę i kontrolę narzędzia w nieoczekiwanych sytuacjach.
- Podczas pracy pompy osoby postronne, dzieci i odwiedzający powinni zachować bezpieczny odstęp. Rozproszenie uwagi może skutkować błędami.
- Należy zachować czujność, patrzeć co się robi i używać zdrowego rozsądku podczas eksploatacji pompy. Nie próbować obsługiwać pompy w stanie zmęczenia lub pod wpływem narkotyków, alkoholu lub leków. Moment nieuwagi może spowodować poważne obrażenia ciała.
- Należy stosować środki bezpieczeństwa. Zawsze używać ochrony oczu. W odpowiednich warunkach należy stosować maskę przeciwpyłową, antypoślizgowe obuwie ochronne i kask ochronny.
- Zaznajomienie się z obsługą narzędzi wynikające z ich częstego używania nie zwalnia z obowiązku przestrzegania zasad dotyczących bezpiecznej eksploatacji narzędzi. Nieostrożne działanie może spowodować poważne obrażenia w ułamku sekundy.
- Nie należy pompować wody z potoku, stawu lub źródła, w którym do pompy mogą być zasane ciała obce. Ciała stałe mogą dostać się do węża wlotowego.
- Miejsce pracy należy utrzymywać w czystości i dobrze oświetlone. Zaśmieczone lub ciemne obszary stanowią źródło wypadków.
- Tylko do użytku wewnętrznego.
- Stosować wężę z mosiężną złączką żeńską 19 mm (3/4") BSPT.
- Jako węża wlotowego należy użyć węża przeznaczonego do pracy przy dużych obciążeniach, aby zapobiec jego zgnieceniu.

Aby uzyskać najlepsze rezultaty, należy użyć węża ogrodowego o małej długości i dużej średnicy, np. węża ogrodowego o długości 183 cm (6') i średnicy wewnętrznej 19 mm (3/4"). Dłuższe lub cieńsze węże mogą zmniejszyć wydajność i natężenie przepływu.

- Jako węża wylotowego można użyć zwykłego węża ogrodowego.

WARUNKI UŻYTKOWANIA

Pompa ta jest przeznaczona do zastosowań takich jak opróżnianie podgrzewaczy wody, zbiorników itp. Pompa nie jest wodoodporna ani odporna na warunki atmosferyczne i nie jest przeznaczona do stosowania na zewnątrz lub wewnątrz pryszniców, saun lub innych potencjalnie mokrych miejsc.

Pompa ta została zaprojektowana do stosowania wyłącznie z czystą wodą. Nie jest przeznaczona do obsługi słonej wody, solanki, ścieków z pralni lub innych zastosowań, które mogą zawierać żrące substancje chemiczne i/lub ciała obce. Ta pompa nie nadaje się do stosowania w ekosystemach wodnych.

Produkt można użytkować wyłącznie zgodnie z jego normalnym przeznaczeniem.

BATERIE AKUMULATOROWE

Akumulatory, które nie były przez dłuższy czas użytkowane, należy przed użyciem naładować.

W temperaturze powyżej 50°C następuje spadek osiągniętej wkładki akumulatorowej. Unikaj długotrwałego wystawienia na oddziaływanie ciepła lub promieni słonecznych (niebezpieczeństwo przegrzania).

Styki ładowarek i wkładek akumulatorowych należy utrzymywać w czystości

Dla zapewnienia optymalnej żywotności akumulatory po użyciu należy naładować do pełnej pojemności. Akumulatory, które nie były przez dłuższy czas użytkowane, należy przed użyciem naładować.

Dla zapewnienia możliwie długiej żywotności akumulatory należy wyjąć z ładowarki po ich naładowaniu.

W przypadku składowania akumulatorów dłużej aniżeli 30 dni: Przechowywać je w suchym miejscu w temperaturze ok. 27°C. Przechowywać je w stanie naładowanym do ok. 30% - 50%, Ładować je ponownie co 6 miesięcy.

Zużytych akumulatorów nie wolno wrzucać do ognia ani traktować jako odpadów domowych. Milwaukee oferuje ekologiczną utylizację zużytych akumulatorów.

Nie przechowywać akumulatorów wraz z przedmiotami metalowymi (niebezpieczeństwo zwarcia).

Akumulatory Systemu M18 należy ładować wyłącznie przy pomocy ładowarek Systemu M18. Nie ładować przy pomocy tych ładowarek akumulatorów innych systemów.

Nie otwierać wkładek akumulatorowych i ładowarek. Przechowywać w suchych pomieszczeniach. Chronić przed wilgocią.

W skrajnych warunkach temperatury lub przy bardzo dużym obciążeniu może dochodzić do wycieku kwasu akumulatorowego z uszkodzonych baterii akumulatorowych. W przypadku kontaktu z kwasem akumulatorowym należy natychmiast przemyć miejsce kontaktu wodą z mydłem. W przypadku kontaktu z oczami należy dokładnie przepłukiwać oczy przynajmniej przez 10 minut i zwrócić się natychmiast o pomoc medyczną.

Do ładowarki nie wolno wkładać żadnych przedmiotów metalowych (niebezpieczeństwo zwarcia).



ZABEZPIECZENIE PRZECIĄŻENIOWE AKUMULATORA

W przypadku przeciążenia akumulatora na skutek zbyt dużego poboru prądu, np. nadwycieczaj wysokich momentów obrotowych, zakleszczenie narzędzia roboczego, gwałtownego zatrzymania lub zwarcia, elektronarzędzie zatrzyma się w ciągu 2 sekund i samoczynnie się wyłączy.

W celu ponownego włączenia narzędzia należy zwolnić przycisk przełączający, a następnie ponownie go włączyć.

Pod ekstremalnymi obciążeniami może dojść do silnego nagrzania się akumulatora. W takim wypadku akumulator wyłącza się.

Wówczas należy wetknąć akumulator do ładowarki, aby go ponownie naładować i aktywować.

TRANSPORT AKUMULATORÓW LITOWO-JONOWYCH

Akumulatory litowo-jonowe podlegają ustawowym przepisom dotyczącym transportu towarów niebezpiecznych.

Transport tych akumulatorów winien odbywać się przy przestrzeganiu lokalnych, krajowych i międzynarodowych rozporządzeń i przepisów.

Odbiorcom nie wolno transportować tych akumulatorów po drogach od tak po prostu.

Komercyjny transport akumulatorów litowo-jonowych przez przedsiębiorstwa spedycyjne podlega przepisom dotyczącym transportu towarów niebezpiecznych. Przygotowania do wysyłki oraz transport mogą być wykonywane wyłącznie przez odpowiednio przeszkolone osoby. Cały proces winien odbywać się pod fachowym nadzorem.

W czasie transportu akumulatorów należy przestrzegać następujących punktów::

Celem uniknięcia zwarcia należy upewnić się, że zestyki są zabezpieczone i zaizolowane. Zwracać uwagę na to, aby zespół akumulatorów nie mógł się przemieszczać we wnętrzu opakowania. Nie wolno transportować akumulatorów uszkodzonych lub z wyciekającym z elektrolitem. Odnośnie dalszych wskazówek należy zwrócić się do swojego przedsiębiorstwa spedycyjnego.

UTRZYMANIE I KONSERWACJA

Konserwować pompę i akcesoria. Sprawdzać pod kątem niewspółosiowości lub łączenia części ruchomych, pęknięć części i wszelkich innych stanów, które mogą mieć wpływ na pracę pompy. W przypadku uszkodzenia pompy należy ją naprawić przed użyciem. Wypadki mogą być spowodowane przez złe konserwowaną pompę.

- Przed przystąpieniem do jakichkolwiek prac na elektronarzędziu należy wyjąć wkładkę akumulatorową. Przed przystąpieniem do serwisowania jakiegokolwiek elementu należy rozprężyć cały układ.
- Przed przystąpieniem do serwisowania należy spuścić wszelkie płyny z układu.
- Okresowo sprawdzać pompę i elementy układu, sprawdzając, czy nie ma osłabionych i/lub zużytych węży. Sprawdzić, czy wirnik nie jest zużyty lub zablokowany. Upewnić się, że wszystkie połączenia są zabezpieczone.
- Podczas serwisowania pompy należy używać tylko identycznych części zamiennych. Należy postępować zgodnie z instrukcjami zawartymi w niniejszej instrukcji w rozdziale Konserwacja. Użycie nieautoryzowanych części lub nieprzestrzeganie instrukcji konserwacji może spowodować ryzyko porażenia prądem elektrycznym lub obrażeń i może spowodować utratę gwarancji.

- Nie należy modyfikować ani próbować naprawiać pompy lub akumulatora z wyjątkiem sytuacji opisanych w instrukcji obsługi i pielęgnacji.
- Czyszczenie i czynności konserwacyjne nie mogą być wykonywane przez dzieci bez nadzoru dorosłych.

Urządzenie używać tylko w nieuszkodzonym stanie.

Napraw powinien dokonywać wyłącznie wykwalifikowany personel przy użyciu oryginalnych części zamiennych; w przeciwnym razie może dojść do znacznego zagrożenia dla użytkownika.

Oczyścić urządzenie i elementy zabezpieczające za pomocą suchej ściereczki.

Niektóre środki czyszczące powodują uszkodzenie tworzywa sztucznego lub innych izolowanych części.

Regularna konserwacja i czyszczenie przyczyniają się do wydłużonej trwałości i bezpiecznego użytkowania.

Bez względu na to należy przestrzegać konserwacji i przedziałów czasu pomiędzy konserwacjami.

Wykonywać tylko te prace konserwacyjne, które opisane są w instrukcji obsługi.

Używać tylko i wyłącznie wyposażenia dodatkowego Milwaukee i części zamiennych Milwaukee. Gdyby trzeba było wymienić części, które nie zostały opisane, należy skontaktować się z przedstawicielem serwisu Milwaukee (patrz wykaz adresów punktów usługowych/gwarancyjnych).

Na życzenie można otrzymać rysunek widoku zespołu rozebranego. Przy zamawianiu należy podać numer oraz typ elektronarzędzia umieszczony na tabliczce znamionowej. Zamówienia można dokonać albo u lokalnych przedstawicieli serwisu, albo bezpośrednio w Techtronic Industries GmbH, Max-Eyth-Straße 10, 71364 Winnenden, Germany.



PROBLEM	PRZYCZYNA	ROZWIĄZANIE
Pompa nie działa.	Blokada wirnika.	Patrz rozdział „Wymiana/czyszczenie wirnika”
Natężenie przepływu jest zbyt niskie.	Przewód wlotowy/wylotowy jest zatkany lub uszkodzony. Przyłącze wlotowe nie jest szczelne. Pokrywa wirnika nie jest szczelnie dokręcona. Wirnik zużyty.	Wymienić przewód wlotowy/wylotowy. Sprawdzić, czy przewody nie są zablokowane, złamane lub wygięte. Usunąć przyczyny zablokowania. Uszczelnić połączenie wlotowe, stosując taśmę teflonową lub w razie potrzeby uszczelkę. Dokręcić ręcznie cztery (4) śruby pokrywy. Patrz rozdział „Wymiana/czyszczenie wirnika”
Wyłączenie pompy.	Wyłączenie pompy na sucho. Wirnik zablokowany. Akumulator zainstalowany, gdy pompa jest włączona.	Usunąć problem, następnie wyłączyć narzędzie i włączyć je z powrotem, aby zresetować.
Wyłączenie spowodowane przegrzaniem	Zablokowany przewód wylotowy. Przewód wylotowy zbyt wysoki. Przewód wylotowy zbyt długi. Pompa włączona przez zbyt długi czas.	Zaczekać, aż pompa ostygnie. Usunąć problem, następnie wyłączyć narzędzie i włączyć je z powrotem, aby zresetować.



UWAGA! OSTRZEŻENIE NIEBEZPIECZYSTWO!



Przed uruchomieniem elektronarzędzia zapoznać się uważnie z treścią instrukcji.



Należy używać ochroniaczy uszu!



Podczas pracy należy zawsze nosić okulary ochronne.



Nie dla łatwopalnych lub żrących substancji chemicznych.



Maks. temperatura tłoczonej cieczy nie może przekraczać 60 °C (140 °F).



Ostrożnie! Nie używać za dużej siły i nie zaciskać szczypcami.



Urządzenie nieodporne na mróz



Maks. czas pracy ciągłej to 1 godzina.



Podczas pracy pompy osoby postronne, dzieci i odwiedzający powinni zachować bezpieczny odstęp.



Urządzenie można stosować tylko w pomieszczeniach zamkniętych. Nie wystawiać na deszcz.



Przed przystąpieniem do jakichkolwiek prac na elektronarzędziu należy wyjąć wkładkę akumulatorową.



Część zamienna – nie wchodzi w skład standardowego wyposażenia, dostępna jako część zamienna.



Urządzenia elektryczne, baterie/akumulatory nie mogą być usuwane razem z odpadami pochodzącymi z gospodarstw domowych. Urządzenia elektryczne i akumulatory należy gromadzić oddzielnie i w celu usuwania ich do odpadów zgodnie z wymaganiami środowiska naturalnego oddawać do przedsiębiorstwa utylizacyjnego. Proszę zasięgnąć informacji o centrach recyklingowych i punktach zbiorczych u władz lokalnych lub u wyspecjalizowanego dostawcy.

V

Napięcie



Prąd stały



Europejski Certyfikat Zgodności



Ukraiński Certyfikat Zgodności

001



Euroazjatycki Certyfikat Zgodności



Pol

MŰSZAKI ADATOK Kompakt átemelőszivattyú	M18 BTP
Gyártási szám	4742 30 01 000001-999999
Akkumulátor feszültség	18 V
Védelmi osztály	IPX4
Átfolyási sebesség max.	30,3 l/min
Szállítási magasság max.	23 m
Emelőmagasság max.	5,5 m
Víz hőmérséklet max.	60 °C
Levegő hőmérséklet max.	40 °C
Shívattyúcsatlakozás	13 mm (1/2") NPT külső menet 19 mm (3/4") BSPT külső menet
(Tömítő)	19 mm (3/4") BSPT belső menet
Folyamatos működés max.	1 h
Súly hálózati csereakkumulál	3,4 kg
Súly a 01/2014 EPTA-eljárás szerint (Li-Ion 2,0 Ah ... 12,0 Ah)	4,0 kg..., 5,1 kg
Ajánlott akkusomagok	M18B...M18HB
Ajánlott töltőkészülékek	M12-18...; M1418C6



▲ FIGYELMEZTETÉS Olvasson el minden, a géppel együtt megkaptott biztonsági utalást, utasítást, ábrázolást és adatot. Ha nem tartja be a következő előírásokat, akkor ez áramütéshez, tűzhöz és/vagy súlyos személyi sérülésekhez vezethet. **Kérjük a későbbi használatra gondosan őrizze meg ezeket az előírásokat.**

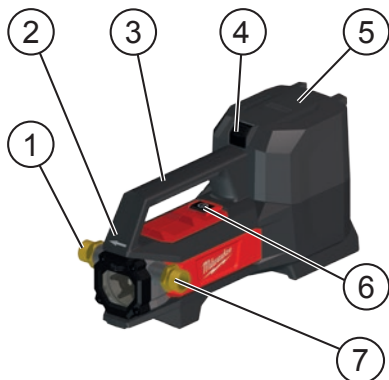
▲ SZIVATTYÚKRA VONATKOZÓ BIZTONSÁGI UTASÍTÁSOK

- Ne helyezze a szivattyút víz alá vagy nedves területekre. Csak száraz helyekre helyezze a szivattyút.
- Vigyázat! Áramütés veszélye. NE csatlakoztasson vízvezetékét a szivattyúra.
- Ne használja a szivattyút olyan gyúlékony vagy robbanásveszélyes folyadékok továbbítására, mint benzin, gázolaj, kerozin stb. Ne használjuk a készüléket olyan helyiségekben, melyek atmoszférája robbanékony.
- Ne tegye ki a szivattyút 60 °C (140 °F) feletti hőmérsékletnek. Ne használjuk a homok, részecskék vagy nagy méretű törmelék szivattyúzására. A szivattyú megsérülhet.
- Ne hagyja a szivattyút szárazon futni 10 másodpercnél hosszabb ideig. A munka befejezését követően gyorsan kapcsolja ki a szivattyút. A szivattyú telepítése vagy szervizelése előtt mindig távolítsa el az akkumulátort.
- Ne hagyja felügyelet nélkül üzemelni a szivattyút. E figyelmeztetés figyelmen kívül hagyása személyi és/vagy halálos kimenetelű sérüléshez vezethet.
- A szivattyú telepítése vagy szervizelése előtt mindig távolítsa el az akkumulátort. Soha ne kezelje a szivattyút nedves kézzel, illetve vizes, nedves felületen vagy vízben állva. Halálos kimenetelű áramütés következhet be.
- A szivattyú indítása előtt rögzítse a kifolyótömlőt. A nem rögzített kifolyótömlő elszabadulhat. Személyi és/vagy halálos kimenetelű sérülés következhet be.

- Ne használja a szivattyút, ha a kapcsolóval nem lehet be- és kikapcsolni. Minden olyan szivattyú veszélyes és javításra szorul, amely nem vezérelhető a kapcsolóval.
- Ne működtesse a szivattyút robbanásveszélyes környezetben, például gyúlékony folyadékok, gázok vagy por jelenlétében. A motorok szikrát képeznek, amely begyújtja a porszerű füstöt.
- Öltözködjön megfelelően. Ne viseljen lazán illeszkedő ruházatot vagy ékszert. Tartsa távol haját, ruházatát és kesztyűjét a mozgó alkatrészekről. Hosszú haj esetén viseljen hajvédőt. A laza ruházat, ékszerek vagy hosszú haj beakadhatnak a mozgó alkatrészekbe.
- Ne hajtoljon ki túlságosan, és mindig őrizze meg egyensúlyát. A megfelelő stabilitás és egyensúly jobb kezelést tesz lehetővé a váratlan helyzetekben.

A jelen készülék nem alkalmas csökkent testi, érzékszervi vagy szellemi képességű személyek (beleértve a gyermekeket is), vagy olyanok általi használatra, akiknek nincs meg a kellő tapasztalatuk, ill. szaktudásuk, kivéve, ha egy a biztonságukért felelős személy megfelelő utasításokkal látja el vagy felügyeli őket. Ezenkívül a gyermekeket felügyelni kell annak biztosítására, hogy ne játszanak a készülékekkel.

Soha ne engedjen gyerekeket a készülékkel játszani. A tisztítást és a felhasználást i karbantartást soha nem végezhetik gyerekek felügyelet nélkül.



- | | |
|-------------------------|----------------------|
| ① Kimenet | ⑤ Akkumulátortartó |
| ② Áramlási irány-jelző | ⑥ Be-/kikapcsológomb |
| ③ Fogantyú | ⑦ Bemenet |
| ④ Akkumulátortartó gomb | |

TOVÁBBI BIZTONSÁGI ÉS MUNKAVÉGZÉSI UTASÍTÁSOK

- Nem alkalmas ivóvíz vagy más iható folyadék továbbítására.
- Mindennemű beállítás, alkatrészek cseréje vagy a berendezés tárolása előtt mindig távolítsa el az akkumulátort. Minden ilyen megelőző jellegű biztonsági intézkedés csökkenti a berendezés véletlen elindítását.
- A markolatokat és fogófelületeket tartsa szárazon, tisztán, olaj- és zsírmentesen. A csúszós markolatok és fogófelületek nem teszik lehetővé a szerszám biztonságos kezelését váratlan helyzetekben.
- A szivattyú működtetése közben tartsa távol a közelben tartózkodókat, gyermekeket és látogatókat. A figyelem elterelődése hibákat eredményez.
- Legyen éber, ügyeljen arra, amit tesz, a szivattyú használata során józan ésszel járjon el. Ne kísérlel meg üzemeltetni a szivattyút, ha fáradt, illetve kábítószert, alkoholt vagy gyógyszereket használ alatta áll. Egy pillanatnyi figyelmetlenség súlyos személyi sérülést okozhat.
- Használjon védőfelszerelést. Mindig viseljen védőszemüveget. Adott körülmények esetén pormaszkot, csúszásmentes munkavédelmi cipőt és védősisakot kell viselni.
- A gyakori szerszámhasználat során szerzett tapasztalata miatt ne váljon felelőtlennek, és ne feledkezzen meg a szerszám biztonságai alapelvekről. A gondatlan használat a másodperc tört része alatt súlyos sérülést okozhat.
- Ne szivattyúzzon vizet patakából, tóból vagy olyan forrásból, ahol idegen tárgyak szivódhatnak be a szivattyúba. Szilárd anyagok juthatnak be a szivótolmóbe.
- A munkaterületet tartsa tisztán és jól megvilágítottan. A nem rendben tartott, sötét területek a balesetek gyakori színterei.
- Kizárólag beltéri használatra.
- 19 mm (3/4") méretű, belső menetes BSPT rézcsatlakozós tolmókat használjon.
- A tolmó összeállításának megelőzése érdekében nagy teherbírási tolmólt alkalmazzon bemenő tolmóként. A legjobb eredmények érdekében rövid, nagy átmérőjű tolmólt, pl. 183 cm (6') hosszú, 19 mm (3/4") belső átmérőjű kerti tolmólt használjon. A hosszabb

vagy vékonyabb tolmók csökkenthetik a teljesítményt és átfolyási sebességet.

- Kimenő tolmóként hagyományos kerti tolmó használható.

RENDELTESSZERŰ HASZNÁLAT

Ez a szivattyú olyan alkalmazásokra szolgál, mint például vízmelegítők, tartályok stb. kiürítése. A szivattyú nem víz- vagy időjárásálló, és nem használható szabadterén, zuhanyzókban, szaunákban, ill. potenciálisan nedves helyeken.

Ez a szivattyú kizárólag tiszta víz továbbítására használható. Nem alkalmas sós víz, tengervíz, mosóvíz vagy bármilyen olyan közeg szállítására, amely maró vegyszereket és/vagy idegen anyagot tartalmaz. Ez a szivattyú nem alkalmas élővízi használatra.

A készüléket kizárólag az alábbiakban leírtaknak megfelelően szabad használni.

AKKUK

A hosszabb ideig üzemben kívül lévő akkumulátort használat előtt ismételen fel kell tölteni.

50°C feletti hőmérsékletnél csökkenhet az akkumulátor teljesítménye. Kerülni kell a túlzottan meleg helyen vagy napon történő hosszabb idejű tárolást.

A töltő és az akkumulátor csatlakozóit mindig tisztán kell tartani.

Az optimális élettartam érdekében használat után az akkukat teljesen fel kell tölteni. A hosszabb ideig üzemben kívül lévő akkumulátort használat előtt ismételen fel kell tölteni.

A lehetőleg hosszú élettartamhoz az akkukat feltöltés után ki kell venni a töltőkészülékéből.

Az akku 30 napot meghaladó tárolása esetén: Az akkut kb. 27 °C-on, száraz helyen kell tárolni. Az akkut kb. 30-50%-os töltöttségi állapotban kell tárolni. Az akkut 6 havonta újra fel kell tölteni.

A használt akkumulátort ne dobja tűzbe vagy a háztartási szeméttbe. Tájékozódjon a szakszerű megsemmisítés helyi lehetőségeiről.

Az akkumulátort ne tárolja együtt fém tárgyakkal. (Rövidzárlat veszélye).

Az M18 elnevezésű rendszerhez tartozó akkumulátorokat kizárólag a rendszerhez tartozó töltővel töltsse fel. Ne használjon más rendszerbe tartozó töltőt.

Az akkumulátort, töltőt nem szabad megbontani és kizárólag száraz helyen szabad tárolni. Nedvességtől óvni kell.

Akkumulátor sav folyhat a sérült akkumulátorból extrém terhelés alatt, vagy extrém hő miatt. Ha az akkumulátor sav a bőrére kerül azonnal mossa meg szappanos vízzel. Szembe kerülés esetén folyóvíz alatt tartsa a szemét minimum 10 percig és azonnal forduljon orvoshoz.

Ügyeljen arra, hogy a töltő aknája ne kerüljön semmilyen fém tárgy, mert ez rövidzárlatot okozhat.

AZ AKKUMULÁTOR TÚLTERHELÉS ELLENI VÉDELME

Az akkumulátor nagyon magas áramfogyasztással való túlterhelés esetén, pl. rendkívül nagy nyomatok, a szerszám beszorulása, hirtelen leállás vagy rövidzárlat miatt, az elektromos szerszám 2 másodpercre leáll és magától lekapcsol.

Az újbóli bekapcsoláshoz engedje el a nyomókapcsolót, majd kapcsolja be ismét.

Extrém mértékű terhelés esetén az akku erősen felforrósodhat. Ebben az esetben az akku lekapcsol.

Az ismételt feltöltéshez és aktiváláshoz ekkor dugja az akkut a töltőkészülékbe.



LÍTIUM-ION AKKUK SZÁLLÍTÁSA

A lítium-ion akkuk a veszélyes áruk szállítására vonatkozó törvényi rendelkezések hatálya alá tartoznak.

Az ilyen akkuk szállításának a helyi, országos és nemzetközi előírások és rendelkezések betartása mellett kell történnie.

A fogyasztók minden további nélkül szállíthatják az ilyen akkukat közúton.

A lítium-ion akkuk szállítmányozási vállalatok általi kereskedelmi célú szállítására a veszélyes áruk szállítására vonatkozó rendelkezések érvényesek. A kiszállítás előkészítését és a szállítást kizárólag megfelelő képzettségű személyek végezhetik. A teljes folyamatnak szakmai felügyelet alatt kell történnie.

A következő pontokat kell figyelembe venni akkuk szállításakor:

Biztosítsa, hogy a rövidzárlatok elkerülése érdekében az érintkezők védve és szigetelve legyenek. Ügyeljen arra, hogy az akkusomag ne tudjon elcsúszni a csomagoláson belül. Tilos sérült vagy kifolyt akkukat szállítani. További útmutatásokért forduljon szállítmányozási vállalatához.



Mag

KARBANTARTÁS

Gondoskodjon a szivattyú és tartozékainak karbantartásáról. Ellenőrizze a mozgó alkatrészek beállítását vagy csatlakozását, az alkatrészek esetleges törését és a szivattyú működését befolyásoló minden más körülményt. Sérülés esetén javíttassa meg a szivattyút, mielőtt használatba venné. A nem megfelelően karbantartott szivattyú baleseteket okozhat.

- Karbantartás, javítás, tisztítás, stb. előtt az akkumulátort ki kell venni a készülékből. Szüntesse meg a rendszer nyomását, mielőtt hozzálátna bármelyik komponensének javításához.
- A javítás előtt erresszen le minden folyadékot a rendszerből.
- Rendszeresen ellenőrizze a szivattyút és rendszerkomponenseit, valamint a gyenge és/vagy elhasználódott tömlőket. Ellenőrizze a forgórész kopását vagy elzáródását. Ellenőrizze a csatlakozások megfelelő illeszkedését.
- A szivattyú szervizelése során kizárólag azonos pótalkatrészeket használjon. Kövesse a jelen kézikönyv Karbantartás című szakaszában található utasításokat. A nem engedélyezett alkatrészek használata vagy a karbantartási utasítások be nem tartása növeli az áramütés vagy sérülés kockázatát és érvénytelenítheti a garanciát.
- Ne módosítsa és ne kísérlelje meg megjavítani a szivattyút vagy az akkumulátort, kivéve a felhasználási és karbantartási utasítások szerint.
- A tisztítást és a felhasználást i karbantartást soha nem végezhetik gyerekek felügyelet nélkül.

A készüléket csak sérülésmentes állapotban helyezze üzembe.

Javításokat csak villamosági szakember végezhet, melynek során eredeti alkatrészek használandóak; egyéb esetben a felhasználó balesetet szenvedhet.

A készüléket és a védőeszközt száraz kendővel tisztítsa.

Némely tisztítószerek károsítják a műanyagot, és más szigetelt alkatrészeket.

A rendszeres karbantartás és tisztítás hosszú élettartamról és biztonságos kezeléssel rendelkező gondoskodik.

A karbantartási műveletek és a karbantartási intervallumok betartása kötelező.

Csak olyan karbantartási munkát végezzen el, amely a kezelési utasításban le van írva.

Csak Milwaukee tartozékokat és Milwaukee pótalkatrészeket szabad használni. Az olyan elemeket, melyek cseréje nincs ismertetve, cseréltesse ki Milwaukee szervizzel (lásd Garancia/Ügyfélszolgálat címei kiadványt).

Szükség esetén a készülékek robbantott ábráját - a készülék típusa és azonosító száma alapján a területileg illetékes TTI márkaszerviztől vagy közvetlenül a gyártótól (Techtronic Industries GmbH, Max-Eyth-Straße 10, 71364 Winnenden, Germany) lehet kérni.

HIBAELHÁRÍTÁS

PROBLÉMA	OK	JAVÍTÁS
A szivattyú nem indul el.	Elakadt forgórész.	Lásd a „Forgórész cseréje/tisztítása” c. részt.
Az átfolyási sebesség túl alacsony.	A bemenő/kimenő vezeték eltömődött vagy sérült. A bemenő csatlakozás nem légmentes. A forgórész burkolata nincs megfelelően rögzítve. A forgórész elkopott.	Cserélje ki a bemenő/kimenő vezetéket. Ellenőrizze a vezetékek eltömődését, csomóit vagy megtöréseit. Távolítsa el az eltömődéseket. Szorítsa meg a bemeneti csatlakozást, szükség esetén teflonszalag vagy tömítés használatával. Húzza meg kézzel a négy (4) burkolatrögzítő csavart. Lásd a „Forgórész cseréje/tisztítása” c. részt.
A szivattyú leáll.	Száraz szivattyú miatti leállás. Elakadt forgórész. A szivattyú bekapcsolásakor felhelyezett akkumulátor.	Hárítsa el a problémát, aztán kapcsolja ki, majd ismét be a szerszámot.
Túlmelegedés miatti leállás	Eltömődött kimenő vezeték. A kimenő vezeték túl magasban van. A kimenő vezeték túl hosszú. A szivattyú túl sokáig van bekapcsolva.	Hagyja lehűlni a szivattyút. Hárítsa el a problémát, aztán kapcsolja ki, majd ismét be a szerszámot.

SZIMBÓLUMOK



FIGYELEM! FIGYELMEZTETÉS! VESZÉLY!



Kérjük alaposan olvassa el a tájékoztatót mielőtt a gépet használja.



Hallásvédő eszköz használata ajánlott!



Munkavégzés közben ajánlatos védőszemüveget viselni.



Nem alkalmas gyúlékony vagy maró hatású folyadékokhoz.



A továbbított folyadék max. hőmérséklete nem haladhatja meg a 60 °C (140 °F)-ot.



Vigyázat! Ne húzza meg túl erősen fogóval.



Nem fagyálló



Max. folyamatos üzemidő: 1 óra.



A szivattyú működtetése közben tartsa távol a közelben tartózkodókat, gyermekeket és látogatókat.



A készülék kizárólag zárt térben történő használatra alkalmas és semmiképpen sem szabad esőnek kiténni.



Karbantartás, javítás, tisztítás, stb. előtt az akkumulátort ki kell venni a készülékből.



Pótalkatrész - A standard szállítási csomag nem tartalmazza a pótalkatrészeket, így azokat külön kell megrendelni.



Az elektromos eszközöket, elemeket/akkukat nem szabad a háztartási hulladékkal együtt ártalmatlanítani. Az elektromos eszközöket és akkukat szelektíven kell gyűjteni, és azokat környezetbarát ártalmatlanítás céljából hulladékhasznosító üzemben kell leadni. A helyi hatóságoknál vagy szakkereskedőjénél tájékozódjon a hulladékudvarokról és gyűjtőhelyekről.

V

Feszültség



Egyenáram



Európai megfelelőségi jelölés



Ukrán megfelelőségi jelölés



Eurázsiai megfelelőségi jelölés



TEHNIČNI PODATKI Kompaktna transportna črpalka	M18 BTP
Proizvodna številka	4742 30 01 000001-999999
Napetost izmenljivega akumulatorja	18 V
Razred zaščite	IPX4
Hitrost pretoka maks.	30,3 l/min
Višina glave maks.	23 m
Višina dviga maks.	5,5 m
Temperatura vode maks.	60 °C
Temperatura zraka maks.	40 °C
Priključek črpalke	13 mm (1/2") NPT zunanji navoj na 19 mm (3/4") BSPT zunanji navoj
(Cev)	19 mm (3/4") BSPT notranji navoj
Neprekinjeno delovanje maks.	1 h
Teža brez izmenljivim akumulatorjem	3,4 kg
Teža po EPTA-proceduri 01/2014 (Li-Ion 2,0 Ah ... 12,0 Ah)	4,0 kg..., 5,1 kg
Priporočeni kompleti akumulatorjev	M18B...M18HB
Priporočeni polnilniki	M12-18...; M1418C6



Slo

⚠ OPOZORILO Preberite vse varnostne napotke, navodila, prikaze in podatke, ki ste jih prejeli skupaj z napravo. Zaradi nespoštovanja spodaj navedenih navodil lahko pride do električnega udara, požara in/ali težkih telesnih poškodb.
Vsa opozorila in napotila shranite, ker jih boste v prihodnje še potrebovali.

⚠ VARNOSTNA NAVODILA ZA ČRPALKE

- Črpalke ne postavljajte pod vodo ali v vlažnih območjih. Črpalko postavite samo v suhem prostoru.
- Pozor! Nevarnost električnega udara. NE priključite kabla na črpalko.
- Ne črpajte vnetljivih ali eksplozivnih tekočin, kot so bencin, kurilno olje, kerozin itd. Ne uporabljajte naprave v prostorih nasičenih z eksplozivno snovjo.
- Ne črpajte vode s temperaturo višjo od 60 °C (140 °F). Ne črpajte peska, delcev ali večjih oblog. Lahko pride do poškodb črpalke.
- Ne dovolite, da črpalka deluje brez vode dlje kot 10 sekund. Črpalko izklopite takoj, ko je opravilo končano. Vedno odstranite akumulatorsko baterijo, preden poskusite črpalko namestiti ali vzdrževati.
- Ne dovolite, da ta črpalka deluje brez nadzora. Neupoštevanje tega opozorila lahko povzroči telesne poškodbe in/ali smrti.
- Vedno odstranite akumulatorsko baterijo, preden poskusite črpalko namestiti ali vzdrževati. Črpalke nikoli ne uporabljajte z mokrimi rokami ali ko stojite na mokri ali vlažni površini ali v vodi. Lahko pride do smrtnega električnega udara.
- Pred zagonom črpalke pritrdite izpustno cev. Nepritrdjena izpustna cev lahko opleta. Lahko pride do telesnih poškodb in/ali smrti.
- Črpalke ne uporabljajte, če je ne morete vklopiti ali izklopiti s stikalom. Vsaka črpalka, ki je ni mogoče krmiliti s stikalom, je nevarna in jo je treba popraviti.
- Črpalke ne uporabljajte v eksplozivnih atmosferah, kot so vnetljive

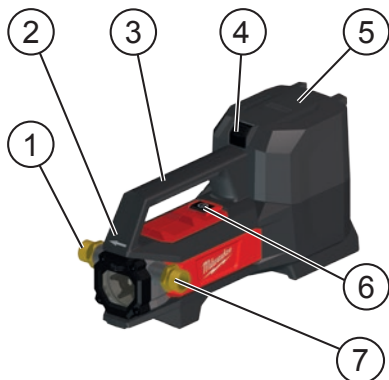
tekočine, plini ali prah. Motorji ustvarjajo iskre, ki ne lahko vnamejo prah hlapov.

- Oblecite se ustrezno. Ne nosite ohlapnih oblačil ali nakita. Las, oblačil in rokavic ne približujte premikajočim se delom. Nosite zaščitno pokrivalo, pod katerega pospravite dolge lase. Gibljivi deli lahko zagrabijo ohlapna oblačila, nakit ali dolge lase.
- Ne nagibajte se predaleč ven in držite ves čas ravnotežje. Pravilno stojišče in ravnotežje omogočata boljši nadzor v nepričakovanih situacijah.

Ta naprava ni primerna za uporabo s strani oseb (vključno z otrok) z omejenimi telesnimi, senzoričnimi ali duševnimi sposobnostmi ali s pomankljivimi izkušnjami oz. strokovnimi znanji, razen če se bodo s strani za njihovo varnost odgovorne osebe ustrezno podučili ali bodo nadzorovani. Vrh tega je otroke potrebno nadzorovati, da bo zagotovljeno, da se z napravo ne bodo igrali.

Otroci se z napravo ne smejo igrati.

Čiščenje in vzdrževanje se ne sme izvajati s strani nenadzorovanih otrok.



- | | |
|---------------------------------|-------------------------|
| 1 Odvod | 5 Predalček za baterijo |
| 2 Kazalnik smeri pretoka | 6 Gumb za vklop/izklop |
| 3 Ročaj orodja | 7 Dovod |
| 4 Gumb za predalček za baterijo | |

NADALJNA VARNOSTNA IN DELOVNA OPOZORILA

- Ni za pitno vodo ali druge pitne tekočine.
- Akumulatorsko baterijo vedno odstranite iz črpalke, preden na črpalke izvedete kakršne koli nastavitve, zamenjate opremo ali jo shranite. Ti previdnostni varnostni ukrepi zmanjšajo tveganje nepričakovanega zagona naprave.
- Ročaji in površine morajo biti suhi, čisti in nemastni. Drseči ročaji in prijemne površine ne omogočajo varnega upravljanja in nadzora orodja v nepričakovanih situacijah.
- Preprečite dostop gledalcem, otrokom in obiskovalcem, medtem ko črpalka deluje. Odvračanje pozornosti privede do napak.
- Ostanite pozorni, pazite, kaj počnete in pri uporabi te črpalke uporabljajte zdrav razum. Črpalke ne uporabljajte, ko ste utrujeni ali pod vplivom drog, alkohola ali zdravil. Trenutek nepozornosti lahko povzroči hude telesne poškodbe.
- Uporabljajte varnostno oz. zaščitno opremo. Vedno nosite zaščitno za oč. Za ustrezne razmere je treba uporabiti masko za zaščito pred prahom, nedrseče zaščitne čevlje in zaščitno celado.
- Ne dovolite, da vam poznavanje, pridobljeno s pogosto uporabo orodij, omogoči, da postanete zadovoljni in prezrete načela varnosti orodij. Nepredvidno ravnanje lahko povzroči hude poškodbe v samo delčku sekunde.
- Ne črpajte vode iz potoka, ribnika ali vira, kjer bi lahko v črpalco zašli tujski. Trdne snovi lahko zaidejo v dovodno cev.
- Delovno območje naj bo vedno dobro čisto in osvetljeno. Neurejena ali temna območja lahko povzročijo nesreče.
- Uporabljajte samo v notranjih prostorih.
- Uporabite 19-mm cevi (3/4") z medeninastim pritvitem BSPT.
- Za dovodno cev je treba uporabiti težko cev, da se prepreči prelom cevi. Za doseganje dobrih rezultatov ne uporabljajte kratkih cevi z velikim premerom, npr. vrtno cev s premerom 183 cm (6") in notranjim premerom 19 mm (3/4"). Daljše ali tanjše cevi lahko zmanjšajo moč in pretok.
- Kot odvodno cev lahko uporabite običajno vrtno cev.

UPORABA V SKLADU Z NAMEDNOSTJO

Ta črpalka je zasnovana za aplikacije, kot so praznjenje grelnikov vode, rezervoarjev itd. Črpalka ni vodotesna ali odporna proti vremenskim vplivom in ni namenjena za uporabo na prostem ali znotraj prh, savn ali drugih morebitnih mokrih mest.

Ta črpalka je bila ocenjena samo za uporabo s čisto vodo. Ni namenjena za obdelavo slane vode, slaniče, izpustov v pralnici ali kakršne koli druge uporabe, ki lahko vsebuje jedke kemikalije in/ali tuji material. Ta črpalka ni primerna za uporabo v vodi.

Ta naprava se sme uporabiti samo v skladu z namednostjo uporabiti samo za navede namene.

AKUMULATORJI

Izmenljive akumulatorje, ki jih daljši čas niste uporabljali, pred uporabo naknadno napolnite.

Temperatura nad 50°C zmanjšuje zmogljivost izmenljivega akumulatorja. Izogibajte se daljšemu segrevanju zaradi sončnih žarkov ali gretja.

Pazite, da ostanete priključni kontakti na polnilnem aparatu in izmenljivem akumulatorju čisti.

za optimalno življenjsko dobo je potrebne akumulatorje po uporabi do konca napolniti. Izmenljive akumulatorje, ki jih daljši čas niste uporabljali, pred uporabo naknadno napolnite.

Za čim daljšo življenjsko dobo naj se akumulatorji po napolnitvi vzamejo ven iz naprave za polnjenje.

Pri skladiščenju akumulatorjev dalj kot 30 dni: Akumulator skladiščiti pri 27°C in na suhem. Akumulator skladiščiti pri 30%-50% stanja polnjenja., Akumulator spet napolniti vsakih 6 mesecev.

Izrabljenih izmenljivih akumulatorjev ne mečite v ogenj ali v gospodinjске odpadke. Milwaukee nudi okolju prijazno odlaganje starih izmenljivih akumulatorjev; prosimo povprašajte vašega strokovnega trgovca.

Izmenljivih akumulatorjev ne hranite skupaj s kovinskimi predmeti (nevarnost kratkega stika).

Izmenljive akumulatorje sistema M18 polnite samo s polnilnimi aparati sistema M18. Ne polnite nobenih akumulatorjev iz drugih sistemov.

Izmenljivih akumulatorjev in polnilnih aparatov ne odpirajte in jih hranite samo v suhih prostorih. Zaščitite jih pred mokroto.

Pod ekstremno obremenitvijo ali ob ekstremni temperaturi iz poškodovanega izmenljivega akumulatorja lahko izteka akumulatorska tekočina. Po stiku z akumulatorsko tekočino prizadeto mesto takoj izperite z vodo in milom. Po stiku z očmi takoj najmanj 10 minut dolgo temeljito izpirajte in nemudoma obiščite zdravnika.

V odprtino za nameščanje izmenljivih akumulatorjev na polnilnih aparatih ne smejo zaiti nikakršni kovinski deli (nevarnost kratkega stika).

ZAŠČITA PREOBREMENITVE AKUMULATORJA

Pri preobremenitvi akumulatorja s previsoko porabo toka, npr. ekstremno visoki vrtilni momenti, zatik uporabljenega orodja, nenaadna zaustavitvev ali kratak stik, se električno orodje za 2 sekundi ustavi in samodejno izklopi.

Za ponoven vklop izpustite pritlisno stikalo in nato znova vklopite.

Pod ekstremnimi obremenitvami se lahko akumulator močno segreje. V tem primeru se akumulator izklopi.

Za ponovno polnitev in aktiviranje akumulatorja ga je potrebno vstaviti v polnilec.



Slo

TRANSPORT LITIJ-IONSКИH AKUMULATORJEV

Litij-ionski akumulatorji so potrjeni zakonskim določbami transporta nevarnih snovi.

Transport teh akumulatorjev se mora izvajati upoštevajoč lokalne, nacionalne in mednarodne predpise in določbe.

Potrošniki lahko te akumulatorje še nadalje transportirajo po cesti.

Komercialni transport litij-ionskih akumulatorjev s strani špediterskih podjetij je potrjen določbami transporta nevarnih snovi. Priprava odpreme in transporta se lahko vrši izključno s strani ustrezno izšolanih oseb. Celoten proces je potrebno strokovno spremljati.

Pri transportu akumulatorjev je potrebno upoštevati sledeče točke:

V izogib kratkim stikom zagotovite, da bodo kontakti zaščiteni in izolirani. Bodite pozorni na to, da paket akumulatorja v notranjosti embalaže ne bo mogel zdrsni. Poškodovanih ali iztekajočih akumulatorjev ni dovoljeno transportirati. Za nadaljnja navodila se obrnite na vaše špeditersko podjetje.

VZDRŽEVANJE

Vzdržujte črpalko in pribor. Preverite napačno poravnavo ali zatikanje premikajočih se delov, ali so zlomljeni, ali kakšno drugo stanje, ki bi lahko vplivalo na delovanje črpalke. Če je črpalka poškodovana, jo morate pred uporabo popraviti. Zaradi slabo vzdrževane črpalke lahko pride do nezgod.

- Pred vsemi deli na stroji odstranite izmenljivi akumulator. Pred vzdrževanjem kakršnega koli sestavnega dela izpusite ves tlak iz sistema.
- Pred vzdrževanjem izpusite vso tekočino iz sistema.
- Redno preverjajte črpalko in sestavne dele sistema, preverite glede slabih in/ali obrabljenih cevi. Preverite, ali je rotor obrabljen ali blokiran. Zagotovite, da so vsi dodatni priključki pritrjeni.
- Pri servisiranju črpalke uporabite samo identične nadomestne dele. Upoštevajte navodila v poglavju Vzdrževanje v teh navodilih. Uporaba nedovoljenih delov ali neupoštevanje navodil za vzdrževanje lahko poveča tveganje električnega udara ali poškodbe in prenehanje veljavnosti garancije.
- Črpalke ali akumulatorskega dela ne spreminjajte in ne popravljajte sami, razen na način, naveden v navodilih za uporabo in nego.
- Čiščenje in vzdrževanje se ne sme izvajati s strani nenadzorovanih otrok.

Napravo uporabljajte samo, če je v brezhibnem stanju.

Popravila se lahko izvajajo zgolj s strano elektro strokovnjaka, tako da se uporabijo originalni nadomestni deli; sicer lahko pride do nesreče uporabnika.

Napravo in zaščitno pripravo čistite s suho krpo.

Mnoga čistilna sredstva poškodujejo umetne mase ali druge izolirane dele.

Redno vzdrževanje in čiščenje poskrbita za dolgo življenjsko dobo in varno rokovanje.

Dosledno se držite vzdrževanj in vzdrževalnih intervalov.

Izvajajte samo tista vzdrževalna dela, ki so opisana v navodilu za uporabo.

Uporabljajte samo Milwaukee pribor in Milwaukee nadomestne dele. Poskrbite, da sestavne dele, katerih zamenjava ni opisana, zamenjajo v Milwaukee servisni službi (upoštevajte brošuro Garancija aslovi servisnih služb).

Po potrebi se lahko pri vaši servisni službi ali direktno pri Techtronic Industries GmbH naroči eksplozijska risba naprave ob navedbi tipa stroja in številke s tipske ploščice Techtronic Industries GmbH, Max-Eyth-Straße 10, 71364 Winnenden, Germany.

ODPRAVLJANJE NAPAK

TEŽAVA	VZROK	ODPRAVLJANJE TEŽAVE
Črpalka se ne zažene.	Rotor je blokiran.	Glejte „Zamenjava/čiščenje rotorja,“
Hitrost pretoka je prenizka.	Dovod/odvod je zamašen ali poškodovan. Priključek dovoda ne tesni. Pokrov rotorja ni pritrjen tesno. Rotor je obrabljen.	Zamenjajte dovodno/odvodno cev. Preverite, ali so cevi blokirane, upognjene ali prepognjene. Odstranite blokade. Zategnite priključek dovoda, po potrebi dodajte teflonski trak ali tesnilo. Ročno privijte štiri (4) vijake pokrova. Glejte „Zamenjava/čiščenje rotorja,“
Izklop črpalke.	Če črpalka obratuje brez vode, jo izklopite. Blokiran rotor. Baterija je nameščena, ko se črpalka vklopi.	Odpravite napako in nato orodje izklopite in ponovno vklopite, da ga ponastavite.
Izklop zaradi previsoke temperature	Odvodna cev je blokirana. Odvodna cev je previsoko nameščena. Odvodna cev je predolga. Črpalka je predolgo VKLOPLJENA.	Počakajte, da se črpalka ohladi. Odpravite napako in nato orodje izklopite in ponovno vklopite, da ga ponastavite.



SIMBOLI



POZOR! OPOZORILO! NEVARNO!



Prosimo, da pred uporabo pozorno preberete to navdilo za uporabo.



Nosite zaščito za sluh!



Pri delu s strojem vedno nosite zaščitna očala.



Ni primerna za vnetljive ali jedke kemične tekočine.



Temperatura tekočine za prenos ne sme presegati 60 °C (140 °F).



Pozor! Neategnite s kleščami.



Ni odporna na zmrzal



Najv. čas neprekinjenega delovanja je ena ura.



Preprečite dostop gledalcem, otrokom in obiskovalcem, medtem ko črpalka deluje.



Naprava je primerna samo za uporabo v prostorih, naprave ne izpostavljajte dežju.



Pred vsemi deli na stroji odstranite izmenljivi akumulator.



Nadomestni del – ni vključen v standardno opremo, na voljo kot rezervni del.



Električnih naprav, baterij/akumulatorjev ni dovoljeno odstranjovati skupaj z gospodinjstskimi odpadki. Električne naprave in akumulatorje je potrebno zbirati ločeno in za okolju prijazno odstranitev, oddati podjetju za reciklažo. Pri krajevnem uradu ali vašem strokovnem prodajalcu se pozanimajte glede reciklažnih dvorišč in zbirnih mest.

V

Napetost



Enosmerni tok



Evropska oznaka za združljivost



Ukrajinska oznaka za združljivost

001



Evrazijska oznaka za združljivost



TEHNIČKI PODACI Kompaktna pumpa za prijenos	M18 BTP
Broj proizvodnje	4742 30 01 000001-999999
Napon baterije za zamjenu	18 V
Razred zaštite	IPX4
Količina potiskivanja max.	30,3 l/min
Visina potiskivanja max.	23 m
Visina usisavanja max.	5,5 m
Temperatura vode max.	60 °C
Temperatura zraka max.	40 °C
Crijevni priključak (Crijevo)	13 mm (1/2") NPT vanjski navoj na 19 mm (3/4") BSPT vanjski navoj 19 mm (3/4") BSPT unutarnji navoj
Vrijeme neprekidnog rada max.	1 h
Težina bez sa baterijom	3,4 kg
Težina po EPTA-proceduri 01/2014 (Li-Ion 2,0 Ah ... 12,0 Ah)	4,0 kg..., 5,1 kg
Preporučeni akumulatorski paket	M18B...M18HB
Preporučeni punjači	M12-18...; M1418C6



⚠ UPOZORENIE Pročitajte sve sigurnosne upute, napomene, prikaze i podatke koje dobijete uz uređaj. Ako se ne bi pridržavali slijedećih uputa, moglo bi doći do električnog udara, požara i/ili teških ozljeda.

Sačuvajte sve napomene o sigurnosti i upute za buduću primjenu.

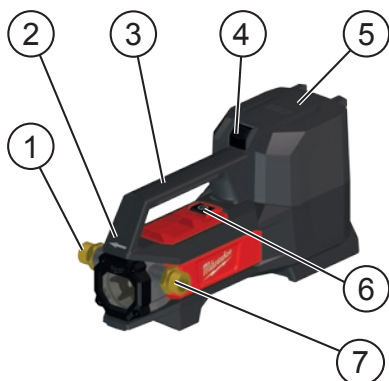
⚠ SIGURNOSNE UPUTE ZA PUMPE

- Nemojte postavljati pumpu pod vodom ili u vlažnim područjima. Postavljajte pumpu samo na suhim lokacijama.
- Ne gledajte nikad izravno u svjetlo. Na pumpu NEMOJTE priključivati dodatne cijevi.
- Nemojte pumpati zapaljive ili eksplozivne tekućine kao što su benzin, loživo ulje, petrolej itd. Napravu ne upotrebljavati u eksplozivnim atmosferama.
- Nemojte pumpati vodu s temperaturom većom od 60 °C (140 °F). Nemojte pumpati pijesak, čestice ni velike predmete. Time može doći do oštećenja pumpe.
- Osigurajte da pumpa ne radi bez dolazne tekućine dulje od 10 sekundi. Brzo isključite pumpu nakon završetka rada. Uvijek uklanjajte zamjensku bateriju prije pokušaja instalacije ili servisiranja pumpe.
- Pumpa ne smije raditi bez nadzora. Ishod nepoštivanja ovog upozorenja mogu biti tjelesne ozljede i/ili smrt.
- Uvijek uklanjajte zamjensku bateriju prije pokušaja instalacije ili servisiranja pumpe. Pumpom nikada nemojte rukovati vlažnim rukama ili dok stojite na vlažnoj ili mokroj površini ili u vodi. Tako bi moglo doći do smrtonosnog strujnog udara.
- Zaštitite odvodno crijevo prije puštanja pumpe u pogon. Ako odvodno crijevo nije osigurano, može se nekontrolirano pokrenuti. Posljedica toga mogu biti tjelesne ozljede i/ili smrt.
- Nemojte upotrebljavati pumpu ako se ne može uključiti niti isključiti pomoću sklopke. Sve pumpe kojima se ne može upravljati sklopkom opasne su i moraju se popraviti.

- Nemojte rukovati pumpom u eksplozivnoj atmosferi, primjerice u okruženju zapaljivih tekućina, plinova ili prašine. Motori stvaraju iskre koje će zapaliti prašinu ili pare.
- Nosite prikladnu odjeću. Nemojte nositi lepršavu odjeću ili nakit. Kosu, dijelove odjeće i rukavice držite podalje od dijelova u pokretu. Dugu kosu zaštitite prikladnim pokrivalom za kosu. Labavi odjevni predmeti, nakit ili dugačka kosa mogu zapeti u dijelovima koji se kreću.
- Ne naginjte se previše van i održavajte u svako vrijeme ravnotežu. Pravilna stabilnost tijekom stajanja i ravnoteža omogućuju bolju kontrolu u neočekivanim situacijama.

Ova naprava nije prikladna za uporabu od strane osoba (uključno djece) sa smanjenim tjelesnim, senzoričnim ili duševnim sposobnostima ili sa nedostatnim iskustvom odn. stručnim znanjem, osim ako se one na govarajući način nadziru ili podučavaju od strane osoba, odgovornih za njihovu sigurnost. Djeca se k tome moraju nadzirati kako bi se osiguralo, da se ona sa ovom napravom ne igraju. Djeca se ne smiju igrati sa aparatom.

Čišćenje i održavanje ne smiju izvoditi djeca bez nadzora.



- | | |
|--------------------------------|--------------------------------------|
| ① Izlaz | ⑤ Pretinac za baterije |
| ② Smjer pokazivača protoka | ⑥ Gumb za uključivanje/isključivanje |
| ③ Držak uređaja | ⑦ Ulaz |
| ④ Gumb za pretinac za baterije | |

OSTALE SIGURNOSNE I RADNE UPUTE

- Uređaj nije predviđen za pitku vodu ni druge pitke tekućine.
- Uvijek uklonite zamjensku bateriju iz pumpe prije svih namještanja, promjene dodatne opreme ili skladištenja uređaja. Ovakvim preventivnim sigurnosnim mjerama smanjuje se opasnost od neželjena pokretanja uređaja.
- Održavajte ručke i površine za hvatanje suhima, čistima te bez zaprljanja uljima i mastima. Skliske ručke i površine za hvatanje onemogućuju sigurno rukovanje i upravljanje alatom u neočekivanim situacijama.
- Osigurajte da se tijekom rukovanja pumpom u njezinoj blizini ne nalaze prolaznici, djeca ni posjetitelji. Svi oblici ometanja dovest će do pogrešaka.
- Budite oprezni, promatrajte što radite i postupajte savjesno tijekom rukovanja ovom pumpom. Nemojte pokušavati rukovati ovom pumpom kada ste umorni ili pod utjecajem opijata, alkohola ili lijekova. Trenutak nepažnje može dovesti do ozbiljnih tjelesnih ozljeda.
- Upotrebljavajte zaštitnu opremu. Uvijek nosite zaštitu za oči. U odgovarajućim uvjetima mora se upotrebljavati maska za prašinu, protuklizna sigurnosna obuća i tvrda kaciga.
- Nemojte dopustiti da vas osjećaj sigurnosti stečen čestom upotrebom alata dovede do nepažnje i zanemarivanja sigurnosnih načela za alat. Neoprezna radnja može dovesti do ozbiljnih ozljeda u djeliću sekunde.
- Nemojte pumpati vodu iz potoka, jezera ili izvora iz kojih bi pumpa mogla usisati strane predmete. Krute tvari mogu dospjeti u ulaznu cijev.
- Radno područje treba biti čisto i dobro osvijetljeno. Zakrčena ili tamna područja predstavljaju opasnost od nezgoda.
- Samo za unutarnju upotrebu.
- Upotrebljavajte cijevi s mjedenenim nastavkom BSPT s otvorom od 19 mm (3/4").

- Kao ulazna cijev treba se upotrebljavati robusna cijev kako bi se izbjegle poteškoće s cijevi. Za najbolje rezultate upotrebljavajte kratku cijev velikog promjera, primjerice vrtno crijevo dugačko 183 cm (6') s unutarnjim promjerom od 19 mm (3/4"). Dulje ili tanje cijevi mogu dovesti do smanjenja učinkovitosti i količine potiskivanja.
- Kao izlazna se cijev može upotrebljavati vrtno crijevo.

PROPISNA UPOTREBA

Ova je pumpa namijenjena za primjene kao što su pražnjenje grijača za vodu, spremnika itd. Pumpa nije voodootporna ni otporna na vremenske utjecaje te nije namijenjena uporabi u vanjskom području ni unutarnjim tuševima, saunama ili drugim potencijalno vlažnim lokacijama.

Ova je pumpa ispitana za uporabu samo s čistom vodom. Ona nije namijenjena uporabi sa slanom vodom, morskom vodom, za spremnike za ispuštanje rublja ni bilo kojim drugim uređajem koji može sadržavati kaustične kemikalije i/ili strane predmete. Ova pumpa nije prikladna za upotrebu u vodenom okolišu.

Montaža i priključak na napajanje

BATERIJE

Baterije koje duže vremena nisu korištene, prije upotrebe napuniti. Temperatura od preko 50°C smanjuje učinak baterija. Duže zagrijavanje od strane sunca ili grijanja izbjeci.

Priključne kontakte na uređaju za punjenje i baterijama držati čistima.

Za optimalni vijek trajanja se akumulatori poslije upotrebe moraju sasvim napuniti. Baterije koje duže vremena nisu korištene, prije upotrebe napuniti.

Za što moguće duži vijek trajanja, akumulatori se nakon punjenja moraju odstraniti iz punjača.

Kod skladištenja akumulatora duže od 30 dana: Akumulator skladištiti na suhom kod ca. 27°C. Akumulator skladištiti kod ca. 30%-50% stanja punjenja., Akumulator ponovno napuniti svakih 6 mjeseci.

Istrošene baterije za zamjenu ne baciti u vatru ili u kućno smeće. Milwaukee nudi mogućnost uklanjanja starih baterija odgovarajuće okolini. Milwaukee nudi mogućnost uklanjanja starih baterija odgovarajuće okolini; upitajte molimo Vašeg stručnog trgovca.

Baterije za zamjenu ne čuvati skupa sa metalnim predmetima (opasnost od kratkog spoja).

Baterije sistema M18 puniti samo sa uređajem za punjenje sistema M18. Ne puniti baterije iz drugih sistema.

Baterije za zamjenu i uređaje za punjenje ne otvarati i čuvati ih samo u suhim prostorijama. Čuvati protiv vlage.

Pod ekstremnim opterećenjem ili ekstremne temperature može iz oštećenih baterija iscuriti baterijska tekućina. Kod dodira sa baterijskom tekućinom odmah isprati sa vodom i sapunom. Kod kontakta sa očima odmah najmanje 10 minuta temeljno ispirati i odmah potražiti liječnika.

U prostor za punjenje baterija u uređaju za punjenje ne smiju dospjeti metalni dijelovi (opasnost od kratkog spoja).



Hrv

ZAŠTITA OD PREOPTEREĆENJA AKUMULATORA

Kod preopterećenja akumulatora prevelikom potrošnjom struje, npr. ekstremno visoki zakretni momenti, uključivanje radnog alata, naglo zaustavljanje ili kratak spoj, električni alat se zaustavlja 2 sekunde i isključuje se samostalno.

Za ponovno uključivanje ispuštiti okidač sklopke i zatim ponovno uključiti.

Pod ekstremnim opterećenjima se akumulator može jako zagrijati. U ovom slučaju se akumulator isključuje.

Akumulator zatim utaknuti u punjač kako bi se ovaj ponovno napunio i zatim aktivirao.

TRANSPORT LITIJSKIH IONSKIH BATERIJA

Litijske-ionske baterije spadaju pod zakonske odredbe u svezi transporta opasne robe.

Prijevoz ovih baterija mora uslijediti uz poštivanje lokalnih, nacionalnih i internacionalnih propisa i odredaba.

Korisnici mogu bez ustručavanja ove baterije transportirati po cestama.

Komercijalni transport litijsko-ionskih baterija od strane transportnih poduzeća spada pod odredbe o transportu opasne robe. Otpremničke pripreme i transport smiju izvoditi isključivo odgovarajuće školovane osobe. Kompletni proces se mora pratiti na stručan način.

Kod transporta baterija se moraju poštivati sljedeće točke:

Uvjerite se da su kontakti zaštićeni i izolirani kako bi se izbjegli kratki spojevi. Pazite na to, da blok baterija unutar pakiranja ne može proklizavati. Oštećene ili iscurjele baterije se ne smiju transportirati. U svezi ostalih uputa obratite se vašem prijevoznom poduzeću.

ODRŽAVANJE

Održavajte pumpu i dodatnu opremu. Provjerite pogrešno postavljanje ili zapinjanje dijelova koji se kreću, lomljenje dijelova i sve druge uvjete koji bi mogli utjecati na rad pumpe. Ako se oštetiti, pumpa se prije ponovne upotrebe treba popraviti. Nedovoljno održavanom pumpom može doći do nezgoda.

- Prije svih radova na stroju izvaditi bateriju za zamjenu. Osigurajte ispuštanje tlaka iz sustava prije servisiranja svih njegovih komponenata.
- Ispustite sve tekućine iz sustava prije servisiranja.
- Redovito provjeravajte jesu li cijevi pumpe i sustava oslabjele i/ili istrošene. Provjerite je li rotor istrošen ili blokiran. Provjerite jesu li svi priključci sigurni.
- Tijekom servisiranja pumpe upotrebljavajte istovjetne zamjenske dijelove. Slijedite upute u odjeljku Održavanje ovog priručnika. Upotreba neovlaštenih dijelova ili nepoštivanje uputa za održavanje može dovesti do opasnosti od strujnog udara ili ozljeda i do poništenja jamstva.
- Nemojte izmjenjivati niti pokušavati popravljati pumpu ili zamjensku bateriju na bilo koji drugi način osim na način opisan u uputama za upotrebu i održavanje.
- Čišćenje i održavanje ne smiju izvoditi djeca bez nadzora.

Aparat koristite samo ako je u besprijekornom stanju.

Popravke smiju vršiti samo električni stručnjaci, pri čemu se koriste originalni rezervni dijelovi; u drugom slučaju se mogu desiti nesreće za korisnika.

Aparat i zaštitni uređaj čistite jednom suhom krpom.

Neka sredstva za čišćenje oštećuju plastiku ili druge izolirane dijelove.

Redovito održavanje i čišćenje se brinu za dugi vijek trajanja i sigurno rukovanje.

Obvezno se pridržavati održavanja i intervala održavanja.

Obavljati samo one radove održavanja koji su opisani u uputama za rukovanje.

Primijeniti samo Milwaukee opremu i Milwaukee rezervne dijelove. Sastavne dijelove, čija zamjena nije opisana, dati zamijeniti kod jedne od Milwaukee servisnih službi (poštivati brošuru Garancija/ Adrese servisa).

Po potrebi se može zatražiti crtež eksplozije aparata uz davanje podataka o tipu stroja i desetoznamenastog broja na pločici snage kod Vaše servisne službe ili direktno kod Techtronic Industries GmbH, Max-Eyth-Straße 10, 71364 Winnenden, Germany.

OTKLANJANJE POTEŠKOĆA

PROBLEM	UZROK	ISPRAVAK
Pumpa se ne pokreće.	Rotor je blokiran.	Pogledajte „Zamjena/čišćenje rotora“
Količina potiskivanja je preniska.	Ulazni/izlazni vod začepljen je ili oštećen. Ulazni priključak nije hermetički zatvoren. Pokrov rotora nije čvrsto zategnut. Rotor je istrošen.	Zamijenite ulazni/izlazni vod. Provjerite jesu li vodovi začepljeni, iskrivljeni ili savinuti. Uklonite začepljenja. Zategnite priključak ulaznog voda, po potrebi dodajte teflonsku traku ili brtvu. Ručno zategnite četiri (4) pokrovna vijka. Pogledajte „Zamjena/čišćenje rotora“
Isključivanje pumpe.	Pumpa se isključila jer ne pumpa tekućinu. Blokiran je rotor. Baterija je instalirana kada je pumpa bila uključena.	Ispravite stanje, zatim isključite alat i ponovno ga uključite da ga resetirate.
Isključivanje zbog prevelike temperature	Izlazni je vod blokiran. Izlazni je vod previsok. Izlazni je vod predugačak. Pumpa je predugo bila UKLJUČENA.	Pustite pumpu da se ohladi. Ispravite stanje, zatim isključite alat i ponovno ga uključite da ga resetirate.

SIMBOLI



PAŽNJA! UPOZORENIE! OPASNOST!



Molimo da pažljivo pročitate uputu o upotrebi prije puštanja u rad.



Nositi zaštitu sluha!



Kod radova na stroju uvijek nositi zaštitne naočale.



Uređaj nije predviđen za zapaljive ili kaustične kemijske tekućine.



Maks. temperatura tekućine koja se prenosi ne smije premašivati 60 °C (140 °F).



Oprez! Nemojte prekomjerno zatezati i nemojte zatezati klijestima.



Bez otpornosti na mraz



Maks. neprekidno vrijeme rada 1 h.



Osigurajte da se tijekom rukovanja pumpom u njezinoj blizini ne nalaze prolaznici, djeca ni posjetitelji.



Aparat je prikladan samo za korištenje u prostorijama, aparat ne izlagati kiši.



Prije svih radova na stroju izvaditi bateriju za zamjenu.



Rezervni dio - nije uključeno u standardnu opremu, dostupno kao rezervni dio.



Elektrouređaji, baterije/akumulatori se ne smiju zbrinjavati skupa sa kućnim smećem. Električni uređaji akumulatori se moraju skupljati odvojeno i predati na zbrinjavanje primjereno okolišu jednom od pogona za iskorišćavanje. Raspitajte se kod mjesnih vlasti ili kod stručnog trgovca u svezi gospodarstva za recikliranje i mjesta skupljanja.

V Napon



Istosmjerna struja



Europski znak suglasnosti



Ukrajinski znak suglasnosti

001



Euroazijski znak suglasnosti



TEHNISKIE DATI Kompakts pārsūknēšanas sūknis	M18 BTP
Izlaides numurs	4742 30 01 000001-999999
Akumulātorā spriegums	18 V
Aizsargklase	IPX4
Plūsmas ātrums maksimālais	30,3 l/min
Spiedienaugstums maksimālais	23 m
Pacelšanas augstums maksimālais	5,5 m
Ūdens temperatūra maksimālais	60 °C
Gaisa temperatūra maksimālais	40 °C
Sūkņa armatūra	13 mm (1/2") NPT ārējā vītne 19 mm (3/4") BSPT ārējā vītne
(Šļūtene)	19 mm (3/4") BSPT iekšējās vītnes
Nepārtraukta darbība maksimālais	1 h
Svars bez ar akumulatoru bateriju	3,4 kg
Svars atbilstoši EPTA -Procedure 01/2014 (Li-Ion 2,0 Ah ... 12,0 Ah)	4,0 kg..., 5,1 kg
Ieteicamie akumulatoru komplekti	M18B...M18HB
Ieteicamās uzlādes ierīces	M12-18...; M1418C6



Lat

⚠ UZMANĪBU Izlasiet visus drošības norādījumus, instrukcijas, attēlus un datus, ko saņemat kopā ar ierīdi. Turpmāk sniegto norādījumu neievērošana var kļūt par cēloni elektriskajam triecienam, ugunsgrēkam un/vai smagam savainojumam.
Pēc izlasīšanas uzglabājiet šos noteikumus turpmākai izmantošanai.

⚠ SŪKŅU LIETOŠANAS DROŠĪBAS INSTRUKCIJA

- Nenovietojiet sūkni zem ūdens vai mitrās vietās. Novietojiet sūkni tikai sausās vietās.
- Lūdzu, nekad neskatieties tieši gaismā. NESAVIENOJĒT cauruļvadu ar sūkni.
- Nesūknējiet caur sūkni uzliesmojošus vai sprāgstošus šķidrumus, piemēram, benzīnu, kurināmo degvielu, petroleju utt. Ierīci nedrīkst izmantot telpās, kurās pastāv eksplozijas risks.
- Nesūknējiet ūdeni, kura temperatūra pārsniedz 60 °C (140 °F). Nesūknējiet smiltis, cietas daļiņas vai būvgružus. Tas izraisīs sūkņa bojājumus.
- Nepieļaujiet, ka sūknis darbojas bez šķidruma ilgāk par 10 sekundēm. Pēc darba pabeigšanas nekavējoties izslēdziet sūkni. Pirms sūkņa uzstādīšanas vai apkopes vienmēr izņemiet akumulatoru.
- Neatstājiet sūkni darboties bez uzraudzības. Šī brīdinājuma neievērošana var izraisīt ievainojumus un/vai nāvi.
- Pirms sūkņa uzstādīšanas vai apkopes vienmēr izņemiet akumulatoru. Nekad neaiztieciat sūkni ar slapjām rokām, stāvēt uz slapjas vai mitras virsmas vai ūdeni. Tas var izraisīt letālu elektrošoku.
- Pirms sūkņa ieslēgšanas nostipriniet izplūdes šļūteni. Nenostiprināta izplūdes šļūtene var atvienoties. Tas var izraisīt ievainojumus un/vai nāvi.

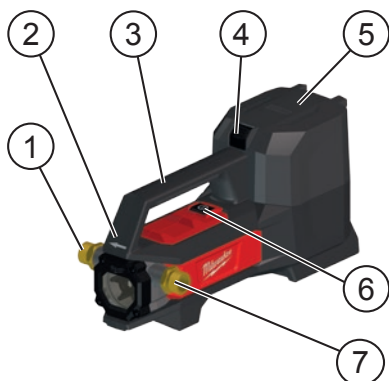
- Neizmantojiet sūkni, ja slēdzis to neieslēdz vai neizslēdz. Jebkurš sūknis, kuru nevar kontrolēt ar slēdzi, ir bīstams, un tas jāsalabo.
- Nedarbiniet sūkni eksplozīvā vidē, piemēram, uzliesmojošu šķidrumu, gāzu vai putekļu tuvumā. Motori rada dzirksteles, kas aizdedzinās izgarojumu putekļus.
- Ģērbieties atbilstoši. Nevalkājiat vaļīgu apģērbu vai rotaslietas. Netuviniet matus, apģērbu un cimdus kustīgajām daļām. Lietojot aizsargājošu matu pārsegu, lai saturētu garus matus. Valjīgas drēbes, rotaslietas un gari mati var iekļerties kustīgajās daļās.
- Neliecieties pārāk tālu un vienmēr turiet līdzsvaru. Piemērots pamats un līdzsvars nodrošina labāku kontroli neparedzētās situācijās.

Iekārtu nedrīkst lietot personas (tai skaitā arī bērni) ar ierobežotām fiziskajām, sensorajām un garīgajām spējām, kā arī personas ar nepietiekamu pieredzi un/ vai zināšanām, ja vien par viņu drošību atbildīgā persona nav tās instruejusi vai neuzrauga. Īpaši jāuzmanās, lai bērni ar iekārtu nespēlotos.

Neatļaut bērniem spēlēties ar iekārtu!

Bērni iekārtas tīrīšanu un apkopi nedrīkst veikt bez uzraudzības.

Latviski



- | | |
|-------------------------------|--------------------------|
| ① Izplūde | ⑤ Akumulatora nodalījums |
| ② Plūsmas indikatora rādījumi | ⑥ Iesl./izsl. poga |
| ③ Rokturis | ⑦ Ieplūde |
| ④ Akumulatora nodalījuma poga | |

CITAS DROŠĪBAS UN DARBA INSTRUKCIJAS

- Nav paredzēts dzeramajam ūdenim vai citiem dzeramiem šķidrumiem.
- Pirms jebkādas pielāgojumu veikšanas, piederumu maiņas vai ierīces uzglabāšanas vienmēr izņemiet akumulatoru. Šādi drošības pasākumi samazina ierīces nejausās ieslēgšanās risku.
- Uzturiet rokturus un satveramās virsmas sausas un tīras; tās nedrīkst būt taukainas vai eļļainas. Slīdiena roktura un satveramās virsmas dēļ ierīce nav droši lietojama un kontrolējama neparedzētās situācijās.
- Strādājot ar sūkni, neļaujiet tuvumā būt nepiederošām personām un bērniem. Nepievērsot darbam pietiekamu uzmanību, var rasties kļūdas.
- Esiet modrs, skatieties, ko darāt un izmantojiet veselo saprātu, darbojoties ar šo sūkni. Nestrādājiet ar sūkni, ja esat noguris vai narkotiku, alkohola vai zāļu ietekmē. Mirklis neuzmanības var radīt ievainojumus.
- Izmantojiet drošības aprikojumu. Vienmēr valkājiet acu aizsargu. Attiecīgos apstākļos jālieto putekļu maska, neslīdoši aizsargapavi un ķivere.
- Tas, ka bieži izmantojat ierīci, nenozīmē, ka jums jāizturas bezrūpīgi un jāignorē ierīces drošības principi. Bezrūpīga rīcība var radīt ievainojumus vienā acmirkli.
- Nesūknējiet ūdeni no upes, diķa vai kādas citas vietas, no kuras sūkni var nonākt svešķermeņi. Ieplūdes caurulē var nonākt cietas daļiņas.
- Uzturiet darba zonu tīru un labi apgaismotu. Nekārtīgu un tumšu zonu dēļ var rasties negadījumi.
- Izmantot tikai iekšējās telpās.
- Izmantojiet caurules ar 19 mm (3/4") BSPT misiņa ieejas (mātes) fittingus.
- Lai novērstu caurules/šļūtenes pārplīšanu, kā ieplūdes caurule būtu jāizmanto paaugstinātas izturības caurule. Lai iegūtu labākos rezultātus, izmantojiet īsu šļūteni ar lielu diametru, piemēram, 183 cm (6') garu, 19 mm (3/4") platu dārza šļūteni. Garākas

vai tievākas šļūtenes var samazināt izpildes apjomu un pūsmas ātrumu.

- Par izplūdes šļūteni var izmantot parastu dārza šļūteni.

NOTEIKUMIEM ATBILSTOŠS IZMANTOJUMS

Šis sūknis paredzēts, ūdens sildītāju, tvertņu iztukšošanai u.c. Sūknis nav ūdensdrošs vai aizsargāts pret atmosfēras iedarbību, tādēļ nav paredzēts lietošanai ārā, dušā, pirtī vai citās iespējami mitrās vietās.

Sūkni paredzēts lietot tikai tīram ūdenim. To nevar lietot jūras ūdenim, sālsūdenim, netīram veļasmašīnas ūdenim vai kādam citam ūdenim, kas var saturēt kodīgas vielas un/vai svešķermeņus. Šis sūknis nav piemērots saskarei ar ūdens organismiem.

Barošanas montāža un pieslēgšana

AKUMULĀTORI

Akumulātori, kas ilgāku laiku nav izmantoti, pirms lietošanas jāuzlādē.

Pie temperatūras, kas pārsniedz 50°C, akumulātoru darbība tiek negatīvi ietekmēta. Vajag izvairīties no ilgākas saules un karstuma iedarbības.

Lādētāja un akumulātoru pievienojuma kontakti jāuztur tīri.

Lai baterijas darba ilgums būtu optimāls, pēc iekārtas izmantošanas tā jāuzlādē. Akumulātori, kas ilgāku laiku nav izmantoti, pirms lietošanas jāuzlādē.

Lai akumulātoru kalpotu pēc iespējas ilgāku laiku, tos pēc uzlādes ieteicams atvienot no lādētāj ierīces.

Akumulatora uzglabāšana ilgāk kā 30 dienas: uzglabāt akumulātoru pie aptuveni 27°C un sausā vietā. Uzglabāt akumulātoru uzlādes stāvoklī aptuveni pie 30%-50%, uzlādēt akumulātoru visus 6 mēnešus no jauna.

Izmantotos akumulārus nedrīkst mest uguni vai parastajos atkritumos. Firma Milwaukee piedāvā iespēju vecos akumulātorus savākt apkārtnējo vidi saudzējošā veidā; jautājiet specializētā veikalā.

Akumulātorus nav ieteicams glabāt kopā ar metāla priekšmetiem (iespējams isslēgums).

M18 sistēmas akumulātorus lādēt tikai ar M18 sistēmas lādētājiem. Nedrīkst lādēt citus akumulātorus no citām sistēmām.

Akumulātorus un lādētājus nedrīkst taisyt vaļā un tie jāuzglabā sausās telpās.

Pie ārkārtas slodzes un ārkārtas temperatūrām no bojātā akumulātorā var iztect akumulātorā šķidrums. Ja nonākat saskarsmē ar akumulātorā šķidrums, saskarsmes vieta nekavējoties jānomazgā ar ūdeni un ziepēm. Ja šķidrums nonācis acīs, acis vismaz 10 min. skalot un nekavējoties konsultēties ar ārstu.

Jāuzmanās, lai akumulātoru lādētāji nenokļūtu nekādi metāla priekšmeti (iespējams isslēgums).

AKUMULĀTORA AIZSARDZĪBA PRET PĀRSLOGOJUMU

Ja akumulātoru tiek pārslodoti ļoti liela strāvas patēriņa rezultātā, piemēram, ļoti lielos griezes momentos, iesprūstot darba rīkam, pēkšņi apstājoties vai īssavienojuma gadījumā elektroinstruments apstājas uz 2 sekundēm un pats izslēdzas.

Lai to atkal ieslēgtu, atļaidiet ieslēgšanas pogu un tad to ieslēdziet no jauna.

Esot ārkārtīgi augstam noslogojumam, akumulātorus var spēcīgi sakarst. Šādā gadījumā akumulātors atslēdzas.

Akumulātoru var ievietot lādētājā, lai to atkal uzlādētu un aktivizētu.



LITĪJA JONU AKUMULATORU TRANSPORTĒŠANA

Uz litija jonu akumulatoriem attiecas noteikumi par bīstamo kravu pārvadāšanu.

Šo akumulatoru transportēšana jāveic saskaņā ar vietējiem, valsts un starptautiskajiem normatīvajiem aktiem un noteikumiem.

Patērētāja darbības, pārvadājot šos akumulatorus pa autoceļiem, nav reglamentētas.

Uz litija jonu akumulatoru komerciālu transportēšanu, ko veic ekspedīcijas uzņēmums, attiecas bīstamo kravu pārvadāšanas noteikumi. Sagatavošanas darbus un transportēšanu drīkst veikt tikai atbilstoši apmācīts personāls. Visi process jāveda profesionāli.

Veicot akumulatoru transportēšanu, jāievēro:

Pārliecinieties, ka kontakti ir aizsargāti un izolēti, lai izvairītos no īssavienojumiem. Pārliecinieties, ka akumulators iepakojumā nevar paslidēt. Bojātus vai tekošus akumulatorus nedrīkst transportēt. Plašāku informāciju Jūs varat saņemt no ekspedīcijas uzņēmuma.

APKOPE

Uzturiet sūkni un tā piederumus labā kārtībā. Pārbaudiet, vai kustīgās daļas ir pareizi novietotas, savienotas un nav bojātas, kā arī citus apstākļus, kas varētu ietekmēt sūkņa darbību. Bojātus sūkni pirms lietošanas jāsalabo. Slikti uzturēts sūknis var izraisīt negadījumus.

- Pirms mašīnai veikt jebkāda veida apkopes darbus, ir jāizņem arī akumulators. Pirms jebkuras detaļas apkopes nolaidiet visu sistēmā esošo spiedienu.
- Pirms apkopes izlaidiet no sistēmas visus šķidrumus.
- Periodiski aplūkojiet sūkni un sistēmas detaļas, pārbaudot, vai šļūtenes nav trauslas un/vai nolietojušās. Pārbaudiet, vai lāpstiņas nav nolietojušās vai bloķētas. Pārliecinieties, ka visi savienojumi ir nostiprināti.
- Veicot sūknim apkopi, izmantojiet tikai identiskas rezerves daļas. Sekojiet norādījumiem šīs instrukcijas sadaļā "Apkope". Neatzītu detaļu izmantošana vai apkopes instrukciju neievērošana var radīt elektrošoka vai ievainojumu risku, kā arī padarīt preces garantiju spēkā neesošu.
- Nepārveidojiet un nemēģiniet salabot sūkni vai akumulatoru, izņemot gadījumus, ja tas minēts lietošanas un kopšanas instrukcijā.
- Bērni iekārtas tīrīšanu un apkopi nedrīkst veikt bez uzraudzības.

Lietot ierīci tikai tad, ja tas ir nebojāts stāvoklī.

Remontdarbus drīkst veikt tikai kvalificētas personas, izmantojot oriģinālās rezerves daļas; citādi tie radīt ievērojamus draudus lietotājam.

Iekārtu un aizsardzības aprīkojumu jātīra ar tīru un sausu lupatīņu. Atsevišķi tīrīšanas līdzekļi var sabojāt plastmasas un citas izolējošās detaļas.

Regulāra iekārtas apkope un tīrīšana nodrošina tās ilgmūžību un drošu ekspluatāciju.

Obligāti veikt iekārtas apkopi un stingri ievērot apkopes intervālus.

Jāveic tikai ekspluatācijas instrukcijā aprakstītā tehniskā apkope.

Izmantojiet tikai firmu Milwaukee piederumus un firmas Milwaukee rezerves daļas. Lieciet nomainīt detaļas, kuru nomaiņa nav aprakstīta, kādā no firmu Milwaukee klientu apkalpošanas servisiem. (Skat. brošūru „Garantija/klientu apkalpošanas serviss“.)

Ja nepieciešams, klientu apkalpošanas servisā vai tieši pie firmas Techtronic Industries GmbH, Max-Eyth-Straße 10, 71364 Winnenden, Germany, var pieprasīt instrumenta numurs, kas norādīts uz jaudas paneļa.

PROBLĒMU NOVĒRŠANA

PROBLĒMA	IEMESLS	LABOJUMS
Sūknis nedarbojas.	Bloķētas lāpstiņas.	Skatiet "Lāpstiņu nomaiņa/tīrīšana"
Plūsmas ātrums ir pārāk mazs.	Izplūdes/izplūdes šļūtene ir aizsērējusi vai bojāta. Izplūdes savienojums nav hermētiski noslēgts. Lāpstiņu vāks nav cieši nostiprināts. Lāpstiņas ir nolietojušās.	Nomainiet izplūdes/izplūdes šļūteni. Pārbaudiet, vai šļūtenes nav aizsprostotas, tajās nav mezglu vai liekumu. Izīrieties aizsprostotas šļūtenes. Nostipriniet izplūdes savienojumu, nepieciešamības gadījumā izmantojot teflona līmlenti vai blīvi. Ar roku nostipriniet četras (4) vākus skrūves. Skatiet "Lāpstiņu nomaiņa/tīrīšana".
Sūkņa izslēgšana.	Sausa sūkņa izslēgšana. Bloķētas lāpstiņa. Akumulators ievietots tad, kad ieslēgts sūknis.	Izlabojiet situāciju, izslēdziet ierīci un tad restartējiet to.
Izslēgšanās pārāk augstas temperatūras gadījumā	Bloķēta izplūdes šļūtene. Izplūdes šļūtene pārāk augstu. Izplūdes caurule/šļūtene pārāk gara. Sūknis ieslēgts pārāk ilgu laiku.	Ļaujiet sūknim atdzist. Izlabojiet situāciju, izslēdziet ierīci un tad restartējiet to.

Latviski

SIMBOLI



UZMANĪBU! BĪSTAMI!



Pirms sākt lietot instrumentu, lūdzu, izlasiet lietošanas pamācību.



Nēsāt trokšņa slāpētāju!



Strādājot ar mašīnu, vienmēr jānēsā aizsargbrilles.



Nav paredzēts uzliesmojošiem vai kodīgiem ķīmiskiem šķīdrumiem.



Maksimālā cauri plūstošā šķidruma temperatūra nedrīkst pārsniegt 60 °C (140 °F).



Uzmanību! Nenostipriniet pārāk cieši un neizmantojiet knaibles.



Nav salizturīgs



Maksimālais nepārtrauktais darbības laiks ir 1 stunda.



Strādājot ar sūkni, neļaujiet tuvumā būt nepiederošām personām un bērniem.



Šis instruments ir piemērots tikai darbam iekštelpās. Sargāt instrumentu no lietus.



Pirms mašīnai veikt jebkāda veida apkopes darbus, ir jāizņem arī akumulators.



Rezerves daļa. Nav standarta aprīkojumā, pieejama kā rezerves daļa.



Elektriskus aparātus, baterijas/akumulatorus nedrīkst utilizēt kopā ar mājāsaimniecības atkritumiem. Elektriski aparāti un akumulatori ir jāsavāc atsevišķi un jānodod atkritumu pārstrādes uzņēmumā videi saudzīgai utilizācijai. Jautājiet vietējā iestādē vai savam specializētajam tirgotājam, kur atrodas atkritumu pārstrādes uzņēmumi vai savākšanas punkti.

V Voltāža



Līdzstrāva



Eiropas atbilstības zīme



Ukrainas atbilstības zīme



Eirāzijas atbilstības zīme



TECHNINIAI DUOMENYS Kompaktiškas perpumpavimo siurblys	M18 BTP
Produkto numeris	4742 30 01 000001-999999
Keičiamo akumuliatoriaus įtampa	18 V
Saugos klasė	IPX4
debitas maks.	30,3 l/min
slėgis maks.	23 m
pakėlimo aukštis maks.	5,5 m
vandens temperatūra maks.	60 °C
Oro temperatūra maks.	40 °C
Siurblio jungiamosios detalės	13 mm (1/2") NPT išorinis sriegis 19 mm (3/4") BSPT išorinis sriegis
(Žarna)	19 mm (3/4") BSPT vidinis sriegis
nepertraukimo veikimo laikas maks.	1 h
Svoris be akumuliatorių	3,4 kg
Prietaiso svoris įvertintas pagal EPTA 01/2014 tyrimų metodiką (Li-Ion 2,0 Ah ... 12,0 Ah)	4,0 kg..., 5,1 kg
Rekomenduojami akumuliatoriai	M18B...M18HB
Rekomenduojami įkrovikliai	M12-18...; M1418C6



⚠ DĖMESIO Perskaitykite visus saugos nuorodas, instrukcijas, iliustracijas ir duomenis, kuriuos gaunate su prietaisu. Jei nepaisysite toliau pateiktų nuorodų, gali kilti elektros smūgio, gaisro ir/arba sunkių sužalojimų pavojus.
Išsaugokite šias saugos nuorodas ir reikalavimus, kad ir ateityje galėtumėte jais pasinaudoti.

⚠ SIURBLIŲ SAUGOS INSTRUKCIJOS

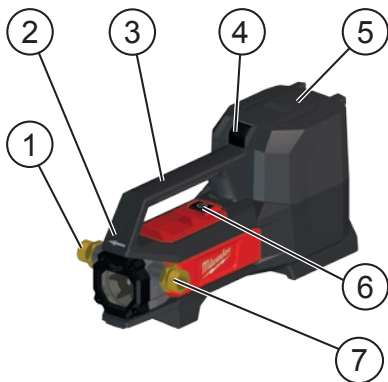
- Neįrenkite siurblio po vandeniu arba šlapiose vietose. Siurbį įrenkite tik sausose vietose.
- Prašome jokių būdu nežiūrėti į lempą. NEPRIJUNKITE prie siurblio vamzdyno.
- Nesiurbkite degių arba sprogių skysčių, pavyzdžiui, benzino, dyzelino, žibalo ir pan. Nenaudokite prietaiso patalpose su sprogia atmosfera.
- Nesiurbkite karštesnio nei 60 °C (140 °F) vandens. Nesiurbkite smėlio, dalelių ar stambiųjų šiukšlių. Antraip bus apgadinintas siurblys.
- Neleiskite siurbliui veikti sausam ilgiau nei 10 sekundžių. Užbaigę darbą greitai išjunkite siurbį. Prieš mėgindami įrengti ar taisyti siurbį visada išimkite baterijos pakuotę.
- Neleiskite siurbliui veikti be priežiūros. Nepaisant šio įspėjimo galimi sužalojimai ir (arba) mirtis.
- Prieš mėgindami įrengti ar taisyti siurbį visada išimkite baterijos pakuotę. Niekada neimkite siurblio šlapiomis rankomis arba stovėdami ant šlapio, drėgno paviršiaus ar vandenyje. Galimas mirtinas elektros smūgis.
- Prieš įjungdami siurbį pritvirtinkite išleidimo žarną. Nepritvirtinta žarna gali plaikstyti. Galimi sužalojimai ir (arba) mirtis.
- Sugedus jungikliui, siurbliu naudotis negalima. Siurblys su sugedusiu jungikliu kelia pavojų, jį reikia remontuoti.

- Nenaudokite siurblio sprogioje atmosferoje, pavyzdžiui, šalia degių skysčių ar dujų. Variklis generuoja kibirkštis, kurios gali uždegti garų dulkes.
- Tinkamai apsirenkite. Nedėvėkite laisvų drabužių arba papuošalų. Plaukus, drabužius ir pirštines saugokite nuo judančių dalių, nes juos gali įtraukti. Ilgus plaukus paslėpkite po apsauginiu plaukų tinkleliu. Laisvi drabužiai, papuošalai ar ilgi plaukai gali įsipainioti į judančias dalis.
- Per daug neišlįskite ir laikykite pusiausvyrą. Tinkama avalynė ir kūno pusiausvyra leis geriau išlaikyti kontrolę netikėtose situacijose.

Šio prietaiso negali naudoti ribotų fizinį, jutiminių arba protinių gebėjimų asmenys (taip pat vaikai) arba asmenys, neturintys pakankamai patirties bei specifinių žinių, nebent jie buvo išmokyti arba juos prižiūri už jų saugumą atsakingas asmuo. Būtina prižiūrėti vaikus, siekiant įsitikinti, kad jie nežaidžia su prietaisu.

Vaikams negalima žaisti su prietaisu.

Neprižiūrimi vaikai negali prietaiso valyti arba atlikti jo techninės priežiūros.



- | | |
|--------------------------------|---------------------------------|
| ① Išleidimo anga | ⑤ Baterijos skyrius |
| ② Srauto indikatoriaus kryptis | ⑥ Įjungimo / išjungimo mygtukas |
| ③ Rankena | ⑦ Išleidimo anga |
| ④ Baterijos skyriaus mygtukas | |

KITI SAUGUMO IR DARBO NURODYMAI

- Neskirta geriamajam vandeniui ar kitiems geriamiesiems skysčiams.
- Prieš atlikdami reguliavimo darbus, keisdami priedus ar padėdami prietaisą sandėliuoti visada išimkite baterijos pakuotę. Šios prevencinės saugos priemonės sumažins netyčinio prietaiso įjungimo pavojų.
- Pasirūpinkite, kad rankenos ir suėmimo paviršiai būtų sausi, švarūs, nealyvuoti ir netepaluoti. Dėl slidžių rankenų ar suėmimo paviršių gali nepavykti saugiai dirbti įrankiu ir jį valdyti netikėtomis situacijomis.
- Dirbdami siurbliu pasirūpinkite, kad pašaliniai asmenys, vaikai ir lankytojai būtų toliau nuo jo. Išsiblaškymas lemia klaidas.
- Būkite budrus, stebėkite, ką darote ir vadovaukitės sveiku protu dirbdami su šiuo siurbliu. Nemėginkite dirbti siurbliu būdami pavargę ar veikiami narkotikų, alkoholio ar vaistų. Galite susižaloti net dėl trumpalaikio neatidumo.
- Naudokite saugos įrangą. Visuomet nešiokite akinius. Esant atitinkamoms sąlygoms reikia dėvėti kaukę nuo dulkių, neslystančius apsauginius batus ir kietą šalną.
- Net jei dažnai naudojate įrankius, pernelyg neatsipalaiduokite ir neignoraukite saugos principų. Dėl nerūpestingų veiksmų per akimirką galima susižaloti.
- Nesiurbkite vandens iš upelio, tvenkinio ar kito vandens šaltinio, nes į siurbį gali būti įsiurbti svetimkūniai. Į įleidimo žarną gali patekti kietųjų dalelių.
- Pasirūpinkite, kad darbo vieta būtų švari ir tinkamai apšviesta. Užgriozdintos ir tamsios vietos dažnai yra nelaimingų atsitikimų priežastimi.
- Naudoti tik viduje.
- Naudokite žarnas su 19 mm (3/4 col.) BSPT žalvarinė lizdinė jungiamoji detalė.
- Prie įleidimo angos reikia prijungti tvirtą žarną, kad ji nesublūškštų. Geriausiems rezultatams naudokite trumpą didelio skersmens žarną, pavyzdžiui, 183 cm (6 col.) ilgio, 19 mm (3/4 col.) vidinio skersmens sodo žarną. Naudojant ilgesnes ar

plonesnes žarnas gali sumažėti našumas ir debitas.

- Įprastinė sodo žarna gali būti naudojama kaip išleidimo žarna.

NAUDOJIMAS PAGAL PASKIRTĮ

Siurblys yra skirtas vandens šildytuvams, bakams ir pan. ištuštinti. Siurblys nėra nelaidus vandeniui ar atsparus oro poveikiui, todėl jis nėra skirtas naudoti lauke arba dušuose, saunose ar kitose potencialiai drėgnose vietose.

Siurblys yra skirtas naudoti tik švariam vandeniui. Jis nėra skirtas siurbti sūrų vandenį, sūrymą, skalbimui naudotą vandenį ar kitokių skysčių, kurių sudėtyje gali būti šarminių cheminių medžiagų ir (arba) svetimkūnių. Siurblys nėra tinkamas naudoti su vandens mikroorganizmais.

Montavimas ir maitinimo įjungimas

AKUMULIATORIAI

Ilgesnį laiką nenaudotus keičiamus akumulatorius prieš naudojimą įkraukite.

Aukštesnė nei 50°C temperatūra mažina keičiamų akumuliatorių galią. Venkite ilgesnio saulės ar šilumos šaltinių poveikio.

Įkroviklio ir keičiamo akumuliatoriaus jungiamieji kontaktai visada turi būti švarūs.

Kad prietaisas kuo ilgiau veiktų, pasinaudoję juo, iki galo įkraukite akumulatorius. Ilgesnį laiką nenaudotus keičiamus akumulatorius prieš naudojimą įkraukite.

Siekiant užtikrinti kuo ilgesnį baterijos tarnavimo laiką, reikėtų ją po atlikto įkrovimo iškart išimti iš įkroviklio.

Bateriją laikant ilgiau nei 30 dienų, būtina atkreipti dėmesį į šias nuorodas: bateriją laikyti sausoje aplinkoje, esant apie 27 °C temperatūrai. Baterijos įkrovimo lygis turi būti nuo 30% iki 50%, Baterija pakartotinai turi būti įkraunama kas 6 mėnesius.

Sunaudotų keičiamų akumuliatorių nedėginkite ir nemeskite į buitines atliekas. „Milwaukee“ siūlo tausojantį aplinką sudėvėtų keičiamų akumuliatorių tvarkymą, apie tai prekybos atstovo.

Keičiamų akumuliatorių nelaikykite kartu su metaliniais daiktais (trumpojo jungimo pavojus).

Keičiamus M18 sistemos akumulatorius kraukite tik „M18“ sistemos įkrovikliams. Nekraukite kitų sistemų akumuliatorių.

Keičiamų akumuliatorių ir įkroviklių nelaikykite atviri. Laikykite tik sausoje vietoje. Saugokite nuo drėgmės.

Ekstremalių apkrovų arba ekstremalios temperatūros poveikyje iš keičiamų akumuliatorių gali ištekėti akumuliatoriaus skystis. Išsitiesus akumuliatoriaus skysčiu, tuoj pat nuplaukite vandeniu su muilu. Patekus į akis, tuoj pat ne trumpiau kaip 10 minučių gausiai skalaukite vandeniu ir tuoj pat kreipkitės į gydytoją.

Į įkroviklių keičiamiems akumuliatoriams įstatymui skirtą vamzdį turi nepatekti jokios metalinės dalys (trumpojo jungimo pavojus).

APSAUGA NUO AKUMULIATORIAUS PERKROVOS

Jeigu akumuliatoriui tenka didelės elektros energijos sąnaudos, pavyzdžiui, ypač dideli sukimo momentai, įstatomo įrankio užstrigimas, staigus sustabdymas arba trumpasis jungimas, elektros įrankis sustabdomas 2 s ir po to pats išsijungia.

Norint įrankį pakartotinai įjungti, reikia atleisti jungiklį ir vėl jį įjungti.

Dėl ekstremalių apkrovų akumuliatorius gali labai stipriai įkaisti. Tokiu atveju jis išsijungia.

Tada akumuliatorių reikia įkišti į įkroviklį, kad jis iškrautų ir veiktų.



Liet

LICIO JONŲ AKUMULIATORIŲ PERVEŽIMAS

Licio jonų akumulatoriams taikomos įstatyminės nuostatos dėl pavojingų krovinių pervežimų.

Šiuos akumulatorius pervežti būtina laikantis vietinių, nacionalinių ir tarptautinių direktyvų ir nuostatų.

Naudotojai šiuos akumulatorius gali naudoti savo transporte be jokių kitų sąlygų.

Už komercinį licio jonų akumuliatorių pervežimą atsako ekspedicijos įmonė pagal nuostatas dėl pavojingų krovinių pervežimą. Pasiruošimo išsiųsti ir pervežimo darbus gali atlikti tik atitinkamai išmokyti asmenys. Visas procesas privalo būti prižiūrimas.

Pervežant akumulatorius būtina laikytis šių punktų:

Siekiant išvengti trumpųjų jungimų, įsitikinkite, kad kontaktai yra apsaugoti ir izoliuoti. Atkreipkite dėmesį, kad akumulatorius pakuočės viduje neslidinėtų. Draudžiama pervežti pažeistus arba tekančius akumulatorius. Dėl detalesnių nurodymų kreipkitės į savo ekspedicijos įmonę.

TECHNINIS APTARNAVIMAS

Prižiūrėkite siurblių ir priedus. Patikrinkite, ar nėra neišlygiuotų arba užstrigusių judamųjų dalių, ar nėra sugedusių dalių arba kokių nors kitų gedimų, kurie galėtų turėti neigiamos įtakos siurblio darbui. Apgadintą siurblių prieš naudojant reikia suremontuoti. Dėl netinkamai prižiūrimo siurblio gali pasitaikyti nelaimingų atsitikimų.

- Prieš atlikdami bet kokius darbus įrenginyje, išimkite keičiamą akumulatorių. Prieš atlikdami kurio nors komponento priežiūros darbus išleiskite iš sistemos visą slėgį.
- Prieš atlikdami sistemos priežiūrą išleiskite iš jos visus skysčius.
- Periodiškai apžiūrėkite siurblių ir sistemos komponentus, patikrinkite, ar nėra silpnų ir (arba) nusidėvėjusių žarnų. Patikrinkite, ar sparnuotė nesudėvėjusi ar neužblokuota. Įsitikinkite, kad visos jungtys yra tvirtos.
- Taisydami siurblių naudokite tik identiškas pakaitines dalis. Vadovaukitės šio vadovo skyriuje „Techninė priežiūra“ pateikiamomis instrukcijomis. Naudojant neleistinas dalis arba nesilaikant techninės priežiūros instrukcijų gali kilti elektros smūgio pavojus arba pasitaikyti sužalojimų, tokiu atveju negalios garantija.
- Nemodifikuokite ir nemėginkite remontuoti siurblio ar baterijos pakuočės, išskyrus atvejus, kai tai nurodyta naudojimo ir priežiūros instrukcijose.
- Neprižiūrimi vaikai negali prietaiso valyti arba atlikti jo techninės priežiūros.

Prietaisą naudokite tik jeigu jis yra nepažeistos būklės.

Taisyti turėtų tik kvalifikuoti asmenys, naudodami originalias atsargines dalis, priešingu atveju, tai gali kelti didelį pavojų naudotojui. Sausu skudurėliu nuvalykite prietaisą ir apsauginį įrenginį.

Kai kurios valymo priemonės gali pažeisti plastmasę arba kitas izoliuotas detales.

Reguliari techninė priežiūra ir nuolatinis valymas užtikrins ilgą eksploatavimo laiką ir saugų naudojimą.

Būtina vykdyti techninę priežiūrą ir laikytis jos atlikimo intervalų.

Galite atlikti tik tuos priežiūros darbus, kurie yra aprašyti naudojimo instrukcijoje.

Naudokite tik „Milwaukee“ priedus ir „Milwaukee“ atsargines dalis. Dalis, kurių keitimas neaprašytas, leidžiama keisti tik „Milwaukee“ klientų aptarnavimo skyriams (žr. garantiją/klientų aptarnavimo skyrių adresus brošiūroje).

Jei reikia, nurodant įrenginio tipą bei specifikacijų lentelėje esantį numerį, iš klientų aptarnavimo skyriaus arba tiesiai iš Techntron Industries GmbH, Max-Eyth-Str.10, 71364 Winnenden, Germany, galima užsisakyti prietaiso surinkimo brežinius.

TRIKIŲ DIAGNOSTIKA IR ŠALINIMAS

PROBLEMA	PRIEŽASTIS	SPRENDIMAS
Siurblys neveikia.	Užblokuota sparnuotė.	Žr. „Sparnuotės keitimas / atlaisvinimas“
Per mažas debitas.	Užsikimšusi arba apgadinta įleidimo / išleidimo linija. Nesandari įleidimo angos jungtis. Nepakankamai pritvirtintas sparnuotės dangtis. Sparnuotė nusidėvėjo.	Pakeiskite įleidimo / išleidimo liniją. Patikrinkite, ar linijos neužblokuotos, neužsisukę ar nesulenktos. Pašalinkite užblokavimą. Suveržkite įleidimo angos jungtį, jei reikia, naudokite teflono juostą ar sandariklį. Rankomis suveržkite keturis (4) dangčio varžtus. Žr. „Sparnuotės keitimas / atlaisvinimas“
Siurblio išjungimas.	Sausas siurblio išjungimas. Užblokuota sparnuotė. Baterija įdėta esant įjungtam siurbliui.	Pakoreguokite, išjunkite įrankį, tada vėl įjunkite, kad atkurtumėte.
Išsijungimas dėl per aukštos temperatūros	Užblokuota išleidimo linija. Išleidimo linija yra per aukšta. Išleidimo linija yra per ilga. Siurblys veikia per ilgai.	Leiskite siurbliui atvėsti. Pakoreguokite, išjunkite įrankį, tada vėl įjunkite, kad atkurtumėte.

SIMBOLIAI



DĖMESIO! ĮSPĖJIMAS! PAVOJUS!



Prieš pradėdami dirbti su prietaisu, atidžiai perskaitykite jo naudojimo instrukciją.



Nešioti klausos apsaugines priemones!



Dirbdami su įrenginiu visada nešiokite apsauginius akinius.



Neskirta degiems ar šarminiams cheminiams skysčiams.



Maks. siurbiamo skysčio temperatūra neturi viršyti 60 °C (140 °F).



Atsargiai! Neperveržkite ir neveržkite replėmis.



Neatsparus šalčiui



Maksimali veikimo trukmė yra 1 val.



Dirbdami siurbliu pasirūpinkite, kad pašaliniai asmenys, vaikai ir lankytojai būtų toliau nuo jo.



Prietaisą galima naudoti tik patalpose, saugoti prietaisą nuo lietaus.



Prieš atlikdami bet kokius darbus įrenginyje, išimkite keičiamą akumuliatorių.



Atsarginė dalis – nepridedama prie standartinės įrangos, galima įsigyti kaip atsarginę dalį.



Elektros prietaisų, baterijų/akumuliatorių šalinti kartu su buitinėmis atliekomis negalima. Elektros prietaisus ir akumuliatorius reikia surinkti atskirai ir atiduoti perdirbimo įmonei, kad būtų pašalinti aplinkai saugiu būdu. Vietos valdžios institucijose arba specializuotose prekybos vietose pasidomėkite apie perdirbimo ir surinkimo centrus.

V

Įtampa



Nuolatinė srovė



Europos atitikties ženklas



Ukrainos atitikties ženklas



Eurazijos atitikties ženklas



TEHNILISED ANDMED Kompaktna ülekandepump	M18 BTP
Tootmisnumber	4742 30 01 000001-999999
Vahetatava aku pinge	18 V
Kaitseklass	IPX4
Voolukiirus max	30,3 l/min
Survekõrgus max	23 m
Tõstekõrgus max	5,5 m
Veetemperatuur max	60 °C
Õhu temperatuur max	40 °C
Pumbaliitmik	13 mm (1/2") NPT väliskeermega 19 mm (3/4") BSPT väliskeermega
(Voolik)	19 mm (3/4") BSPT sisekeere
Pidev tööaeg max	1 h
Kaal ilma akuga	3,4 kg
Kaal vastavalt EPTA-protseduurile 01/2014 (Li-Ion 2,0 Ah ... 12,0 Ah)	4,0 kg..., 5,1 kg
Soovituslikud akupakid	M18B...M18HB
Soovituslik laadija	M12-18...; M1418C6



Est

⚠ TÄHELEPANU Lugege kõik seadmega kaasas olevad ohutusjuhised, juhendid, joonised ja andmed läbi. Järgnevalt toodud juhiste eiramise tagajärjeks võib olla elektrilöökk, tulekahju ja/või rasked vigastused. **Hoidke kõik ohutusnõuded ja juhised edasiseks kasutamiseks hoolikalt alles.**

⚠ PUMPADE OHUTUSJUHISED

- Ärge asetage pumpa vee alla ega märgadesse kohtadesse. Asetage pump ainult kuivadesse kohtadesse.
- Ärge vaadake kunagi otse valgusesse. ÄRGE ühendage pumba külge torusid.
- Ärge pumbake süttivaid või plahvatusohtlikke vedelikke, näiteks bensiini, kütteeõli, petrooleumi jne. Seadet ei tohi kasutada plahvatusohtlikus keskkonnas.
- Ärge pumbake vett temperatuuriga üle 60 °C (140 °F). Ärge pumbake liiva, peentolmu ega suurt prahti. Vastasel juhul saab pump kahjustada.
- Ärge laske pumbal töötada kuivalt rohkem kui 10 sekundit. Pärast töö lõpetamist lülitage pump kiiresti välja. Eemaldage akupakk alati enne pumba paigaldust või hooldust.
- Ärge jätke pumpa järelevalveta tööle. Selle hoiatuse eiramine võib kaasa tuua kehavigastuse ja/või surma.
- Eemaldage akupakk alati enne pumba paigaldust või hooldust. Ärge kasutage pumpa kunagi märgade kätega ega märjal või niiskel aluspinnal või vees seismise ajal. Võite saada surmava elektrilöögi.
- Enne pumba käivitamist kinnitage tühjendusvoolik. Kinnitamata tühjendusvoolik võib piitsutada. Tagajärjed võivad olla kehavigastused ja/või surm.
- Ärge kasutage pumpa, kui lüliti ei lülita seda sisse ja välja. Kõik pumbad, mida ei saa lülitist juhtida, on ohtlikud ja tuleb välja vahetada.
- Ärge kasutage pumpa plahvatusohtlikus atmosfääris, nagu

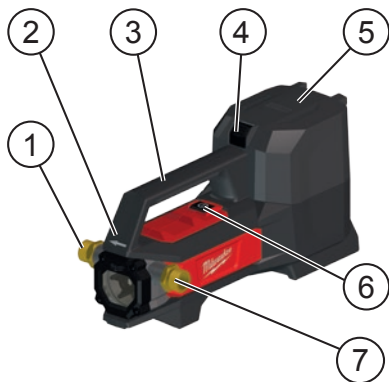
süttivate vedelike, gaaside või tolmuga keskkonnas. Mootorid tekitavad sädemeid, mis võivad tolmu või auru süüdata.

- Riietuge sobival. Ärge kandke avaraid rõivaid ega ehteid. Hoidke juuksed, rõivad ja kindad liikuvatest osadest eemal. Pikkade juuste korral kandke kaitsvat peakatet. Avarad riided, ehted ja pikad juuksed võivad liikuvatesse osadesse kinni jääda.
- Ärge kallutage liiga kaugele ette ja hoidke alati tasakaalu. Kindel jalgealune ja tasakaal võimaldab ootamatutes olukordades paremini kontrolli säilitada.

Antud seade pole mõeldud kasutamiseks füüsiliste, tundlikkus- ega vaimupuuetega ega kogemuste ja teadmisteta isikute (kaasaarvatud laste) poolt, kui neil puudub järelevalve ja nende ohutuse eest vastutav isik pole neid seadme kasutamise osas juhendanud. Lapsi tuleb kontrollida, et olla kindel, et nad seadmega ei mängiks.

Lapsed ei tohi seadmega mängida.

Puhastust ja hooldust ei tohi lapsed järelevalveta teostada.



- | | |
|----------------------|--------------------|
| 1 Väljalase | 5 Akupesa |
| 2 Voolunäidiku suund | 6 Sisse/välja-nupp |
| 3 Käepide | 7 Sisselase |
| 4 Akupesa nupp | |

EDASISED OHUTUS- JA TÖÖJUHISED

- Ei ole mõeldud joogivee ega muude joodavate vedelike jaoks.
- Eemaldage pumbalt alati akupakk, enne kui pumba reguleerite, tarvikuid vahetate või pumba hoiele panete. Need ennetavad ohutusabinõud vähendavad seadme juhusliku käivitumise riski.
- Hoidke käepidemed ja haardepinnad kuiva, puhta ning õli- ja määrdevabana. Libedad pidemed ja libedast pinnast hoidmine ei võimalda tööriista ootamatutes olukordades ohutult käsitseta ja juhtida.
- Hoidke kõrvalised isikud, lapsed ja küllalised pumba kasutamise ajal eemal. Tähelepanu hajumisel tekivad vead.
- Jääge tähelepanelikuks, jälgige oma tegevust ja säilitage pumba kasutamise ajal kaine mõistus. Ärge kasutage pumba, kui olete väsinud või uimastite, alkoholi või ravimite mõju all. Üks hetk tähelepanematust võib põhjustada raskeid kehavigastusi.
- Kasutage kaitsevarustust. Kandke alati silmade kaitset. Asjakohastes olukordades tuleb kanda tolumumaski, mittelibisevaid turvajalatsid ja kiivrit.
- Ärge muutuge seadme sagedasel kasutamisel hooletuks ega eirake tööriistaohutuse põhimõtteid. Hooletus võib põhjustada raske vigastuse vaid murdosa sekundi jooksul.
- Ärge pumbake vett ojast, tiigist ega allikast, kust pumba võivad sattuda võrkehad. Sisselaskevoolikusse võivad sattuda tahked ained.
- Hoidke tööpiirkond puhas ja hästi valgustatuna. Korratud ja pimedad kohad soodustavad õnnetuste teket.
- Kasutamiseks ainult sisetingimustes.
- Kasutage BSPT sisekeermelega messingliitmikuga 19 mm (3/4 tolli) voolikuid.
- Sisselaskevoolikuna tuleb kasutada vastupidavat voolikut, et takistada vooliku kokkuvajumist. Parimate tulemuste saamiseks kasutage lühikest, suure läbimõeduga voolikut, näiteks 183 cm (6 jalga) pikkust 19 mm (3/4 tolli) siseläbimõeduga aiavoolikut. Pikemat või väiksema läbimõeduga voolikuid võivad vähendada jõudlust ja voolukiirust.
- Väljalaskevoolikuna võib kasutada tavalist aiavoolikut.

KASUTAMINE VASTAVALT OTSTARBELE

See pump on mõeldud sellisteks kasutusalaadeks, nagu veeboilerite, mahutite jne tühjendamine. Pump ei ole vee- ega ilmastiku-kindel ning ei ole mõeldud kasutamiseks välitingimustes ega duširuumides, saunas või muudes niisketes kohtades.

Pumpa on testitud ainult puhta veega. See ei ole mõeldud soolase vee või pesuvee käitlemiseks ega muude kasutusalaade jaoks, mis võivad hõlmata söövitavaid kemikaale ja/või võrkehi. Pump ei sobi kasutamiseks veekogus, milles elavad veeorganismid.

Paigaldamine ja ühendamine toiteallikaga

AKUD

Pikemat aega mittekasutatud akusid laadige veel enne kasutamist. Temperatuur üle 50 °C vähendab vahetatava aku töövõimet. Vältige pikemat soojenemist päikese või kütteseadme mõjul.

Hoidke laadija ja vahetatava aku ühenduskontaktid puhtad.

Optimaalse patarei eluea tagamiseks, pärast kasutamist lae patarei plokk täielikult. Pikemat aega mittekasutatud akusid laadige veel enne kasutamist.

Akud tuleks võimalikult pika kasutusea saavutamiseks pärast täislaadimist laadijast välja võtta.

Aku ladustamisel üle 30 päeva: Ladustage akut kuivas kohas u 27 °C juures. Ladustage akut u 30-50% laetusseisundis., Laadige aku iga 6 kuu tagant täis.

Ärge visake tarvitatud vahetatavaid akusid tulle ega olmeprügisse. Milwaukee pakub vanade akude keskkonnahoidlikku käitlust; palun küsige oma erialasel tarnijalt.

Ärge säilitage vahetatavaid akusid koos metallsemetega (lühiseoht).

Laadige süsteemi M18 vahetatavaid akusid ainult süsteemi M18 laadijatega. Ärge laadige nendega teiste süsteemide akusid.

Ärge avage vahetatavaid akusid ega laadijaid ning ladustage neid ainult kuivades ruumides. Kaitske niiskuse eest.

Äärmuslikul koormusel või äärmuslikul temperatuuril võib kahjustatud vahetatavast akut akuvedelik välja voolata. Akuvedelikuga kokkupuutumise korral peske kohe vee ja seebiga. Silma sattumise korral loputage kiiresti põhjalikult vähemalt 10 minutit ning pöörduge viivitamatult arsti poole.

Laadijal olevas vahetatava aku ühenduskambris ei tohi sattuda metallosi (lühiseoht).

AKU KOORMUSKAITSE

Kui akumalaatorid on ülekoormatud liiga suure energiakulu tõttu, näiteks, liiga suurte pöörete korral, kinnikiilunud seadme, äkilise seiskumise või lühihüüenduse korral instrument seiskub 2 sekundiks ja lülitub ise välja.

Uuesti sisse lülitamiseks tuleb päästik esmalt vabastada ning seejärel uuesti alla suruda.

Ülisuurel koormusel võib aku kuumeneda kõrgete temperatuurideni. Sellisel juhul lülitub aku välja.

Aku tuleb laadimiseks ja taasaktiveerimiseks sisestada laadimisseadmesse.

LIITUMIOONAKUDE TRANSPORTIMINE

Liitumioonakud on allutatud ohtlike ainete transportimisega seonduvatele õigusaktidele.

Nende akude transportimine peab toimuma kohalikest, siseriiklikest ja rahvusvahelistest eeskirjadest ning määrustest kinni pidades.

Tarbijad tohivad neid akusid edasiste piiranguteta tänaval transportida.

Liitumioonakude kommertstransport ekspedeerimisettevõtete kaudu on allutatud ohtlike ainete transportimisega seonduvatele õigusaktidele. Tarne-ettevalmistusi ja transporti tohivad teostada eranditult vastavalt koolitatud isikud. Kogu protsessi tuleb asjatundlikult jälgida.

Akude transportimisel tuleb järgida järgmisi punkte::

Tehke kindlaks, et kontaktid on lühiste vältimiseks kaitsstud ja isoleeritud. Pöörake tähelepanu sellele, et akupakk ei saaks pakendis nihkuda. Kahjustatud või välja voolanud akusid ei tohi kasutada. Pöörduge edasiste juhiste saamiseks ekspedeerimisettevõtte poole.



Est

HOOLDUS

Hooldage pumba ja selle tarvikuid. Kontrollige, et liikuvad osad asetseksid kohakuti ega oleks kiilunud, et osad ei oleks purunenud ja et ei oleks muid pumba tööd pärssivaid tingimusi. Kahjustunud pump tuleb lasta enne kasutamist parandada. Halvasti hooldatud pump võib põhjustada õnnetusi.

- Enne kõiki töid masina kallal võtke vahetatav aku välja. Enne ükskõik millise komponendi hooldust tuleb süsteemist rõhk välja lasta.
- Enne hooldust laske süsteemist kõik vedelikud välja.
- Teostage pumbale ja süsteemikomponentidele regulaarselt ülevaatusi, mille käigus kontrollite, et ei oleks lahtisi ja/või kulunud voolikuid. Kontrollige, ega labad pole kulunud või ummistunud. Veenduge, et ühendused oleks tugevad.
- Pumba hooldamisel tuleb kasutada identseid varuosi. Järgige juhendi jaotises „Hooldus“ esitatud juhiseid. Volitamata osade kasutamine või hooldusjuhiste eiramine võib põhjustada elektrilöögi- või vigastusohu ning muuta garantii kehtetuks.
- Ärge modifitseerige pumba ega üritage pumba või akupakki parandada muul viisil, kui on öeldud kasutus- ja hooldusjuhendis.
- Puhastust ja hooldust ei tohi lapse järelevalveta teostada.

Võtke seade käiku ainult kahjustamata seisundis.

Parandustöid võivad teha ainult volitatud teenindajad, kasutades selleks originaalvaruosi. Vastasel juhul võib kasutaja tõsiselt ohtu sattuda.

Puhastage seadet ja kaitseseadist kuiva lapiga.

Osad puhastusvahendid kahjustavad plastmassi või muid isoleeritud detaile.

Regulaarne hooldus ja puhastamine tagavad pika eluea ning ohutu käsitemise.

Pidage hooldusest ja hooldusintervallidest kohustuslikult kinni.

Läbi tohib viia ainult kasutusjuhendis kirjeldatud hooldustöid.

Kasutage ainult Milwaukee tarvikuid ja Milwaukee tagavaraosi. Detailid, mille väljavahetamist pole kirjeldatud, laske välja vahetada Milwaukee klienditeeninduspunkti (vaadake brošüüri garantii / Klienditeeninduste aadressid).

Vajaduse korral võite tellida seadme läbilõikejoonise, näidates ära masina tüübi ja andmesildil oleva numbr. Selleks pöörduge klienditeeninduspunkti või otse: Techtronic Industries GmbH, Max-Eyth-Straße 10, 71364 Winnenden, Germany.

TÕRKEOTSING

PROBLEEM	PÕHJUS	PARANDUS
Pump ei hakka tööle.	Labad blokeerunud.	Vt jaotist „Labade vahetamine/ puhastamine“
Liiga väike voolukiirus.	Sisse-/väljalasketoru on ummistunud või kahjustunud. Sisselaskeühendus ei ole õhukindel. Labade kate ei ole tugevalt kinni. Labad on kulunud.	Vahetage sisse-/väljalasketoru. Kontrollige, ega torud pole ummistunud, murdunud või paindunud. Eemaldage ummistused. Keerake sisselaskeühendus kinni, vajaduse korral kasutage teflonteipi või tihendit. Keerake neli (4) kattekrui käsitsi kinni. Vt jaotist „Labade vahetamine/ puhastamine“
Pumba väljalülitamine.	Kuiva pumba väljalülitamine. Labad lukustunud. Aku paigaldati sisselülitatud pumbale.	Parandage olukorda, lülitage seejärel tööriist välja ja siis lähtestamiseks tagasi sisse.
Väljalülitumine liiga kõrge temperatuuri tõttu	Blokeerunud väljalasketoru. Tühjendusvoolik liiga kõrge. Tühjendusvoolik liiga pikk. Pump oli liiga kaua SISSE lüütinud.	Laske pumbal jahtuda. Parandage olukorda, lülitage seejärel tööriist välja ja siis lähtestamiseks tagasi sisse.

SÜMBOLID



ETTEVAATUST! TÄHELEPANU! OHUD!



Palun lugege enne käikulaskmist kasutamisjuhend hoolikalt läbi.



Kandke kaitseks kõrvaklappe!



Masinaga töötades kandke alati kaitseprille.



Ei sobi süttivate ega söövitavate vedelkemikaalide jaoks.



Pumbatava vedeliku temperatuur ei tohi olla üle 60 °C (140 °F).



Ettevaatust! Mitte keerata kinni liiga tugevalt ega kasutada näpitsaid.



Ei ole külmakindel



Max pidev tööaeg 1 h.



Hoidke kõrvalised isikud, lapsed ja külalised pumba kasutamise ajal eemal.



Seade sobib ainult ruumides kasutamiseks, ärge jätke seadet vihma kätte.



Enne kõiki töid masina kallal võtke vahetatav aku välja.



Varuosana - Ei sisaldu standardvarustuses, saadaval varuosana.



Elektriseadmeid, patareisid/akusid ei tohi utiliseerida koos majapidamisprüügiga. Elektriseadmed ja akud tuleb eraldi kokku koguda ning kõrvaldada keskkonnasõbralikul moel töötlemiskeskusesse. Küsige infot jäätmekäitlusjaamade ja kogumispunktide kohta oma kohalike ametnike või edasimüüja käest.

V

Voltaaž



Alalisvool



Euroopa vastavusmärk



Ukraina vastavusmärk



Euraasia vastavusmärk



Est

ТЕХНИЧЕСКИЕ ДАННЫЕ Компактный насос для перекачки	M18 ВТР
Серийный номер изделия	4742 30 01 000001-999999
Вольтаж аккумулятора	18 V
Класс защиты	IPX4
Скорость потока макс.	30,3 l/min
Высота напора макс.	23 m
Высота подъема макс.	5,5 m
Температура воды макс.	60 °C
Температура воздуха макс.	40 °C
Фитинг насоса	13 mm (1/2") NPT наружная резьба 19 mm (3/4") BSPT наружная резьба
(Шланг)	19 mm (3/4") BSPT внутренняя резьба
Продолжительность непрерывной работы макс.	1 h
Вес без аккумулятором	3,4 kg
Вес согласно процедуре EPTA 01/2014 (Li-Ion 2,0 Ah ... 12,0 Ah)	4,0 kg..., 5,1 kg
Рекомендованные аккумуляторные блоки	M18B...M18HB
Рекомендованные зарядные устройства	M12-18...; M1418C6



РУС

⚠ ВНИМАНИЕ Ознакомьтесь с правилами техники безопасности, техническими регламентами, изображениями и данными, прилагаемыми к устройству.

При несоблюдении нижеследующих указаний возможно поражение электротоком, возникновение пожара и/или получение серьезных травм.

Сохраняйте эти инструкции и указания для будущего использования.

⚠ ТЕХНИКА БЕЗОПАСНОСТИ ПРИ ОБРАЩЕНИИ С НАСОСАМИ

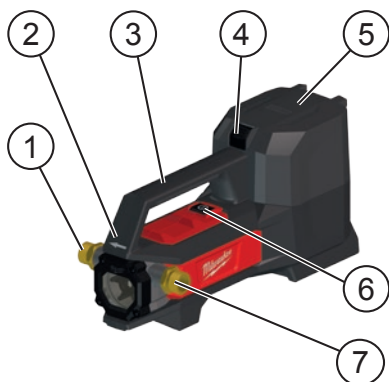
- Не устанавливайте насос под водой или в местах с высокой влажностью. Устанавливайте насос только в сухом месте.
- Не смотрите прямо на свет. НЕ подключайте трубопровод к насосу.
- Не перекачивайте легковоспламеняющиеся или взрывоопасные жидкости, такие как бензин, мазут, керосин и т. д. Не используйте инструмент в помещениях со взрывоопасной атмосферой.
- Не перекачивайте воду с температурой выше 60 °C (140 °F). Не транспортируйте с помощью насоса песок, твердые частицы или крупный мусор. Это приведет к повреждению насоса.
- Насос не должен работать без жидкости более 10 секунд. По завершении выполнения работы сразу же выключите насос. Перед установкой или обслуживанием насоса всегда извлекайте аккумуляторную батарею.
- Насос не должен работать без контроля. Несоблюдение этого указания может привести к травмам и/или смерти.
- Перед установкой или обслуживанием насоса всегда извлекайте аккумуляторную батарею. Ни в коем случае не прикасайтесь к насосу мокрыми руками, или если вы стоите на мокрой/влажной поверхности или в воде. Существует опасность смертельного удара электрическим током.

- Перед запуском насоса закрепите сливной шланг. Незакрепленный сливной шланг может ударить оператора. Это может привести к травмам и/или смерти.
- Не используйте насос, если вам не удастся включить и выключить его с помощью выключателя. Любой насос, которым нельзя управлять с помощью выключателя, опасен и требует ремонта.
- Не используйте насос во взрывоопасной среде, например, в присутствии воспламеняемых жидкостей, газов или пыли. Двигатели создают искры, которые приводят к воспламенению пыли.
- Одевайтесь надлежащим образом. Не надевайте украшений, не носите незастегнутую и незаправленную одежду. Следите за тем, чтобы ваши волосы, одежда и перчатки находились на безопасном расстоянии от движущихся деталей оборудования. Наденьте сеточку для защиты длинных волос. Свободные элементы одежды, украшения или длинные волосы могут попасть в движущиеся части.
- Не наклоняйтесь слишком сильно вперед и всегда держите равновесие. Сохранение равновесия и устойчивого положения на ногах улучшает контроль в экстренных ситуациях.

Данный прибор не предназначен для использования лицами (включая детей) с ограниченными физическими, сенсорными или умственными способностями, а также в случае недостатка опыта и/или знаний, за исключением случаев, когда они получили от людей, отвечающих за их безопасность, указания по пользованию устройством или находятся под контролем этих лиц. Кроме того, необходимо следить за тем, чтобы дети не играли с прибором.

Детям запрещено играть с прибором.

Чистка и уход не должны производиться детьми без присмотра.



- | | |
|---------------------------------|-------------------------------|
| ① Выпуск | ⑤ Аккумуляторный отсек |
| ② Индикатор направления потока | ⑥ Кнопка включения/выключения |
| ③ Рукоятка | ⑦ Впуск |
| ④ Кнопка аккумуляторного отсека | |

ДОПОЛНИТЕЛЬНЫЕ УКАЗАНИЯ ПО БЕЗОПАСНОСТИ И РАБОТЕ

- Насос не предназначен для перекачки питьевой воды или других пищевых жидкостей.
- Всегда извлекайте аккумуляторную батарею перед выполнением любых настроек, заменой принадлежностей или хранением насоса. Такие меры безопасности снижают риск случайного запуска устройства.
- Ручки и захватные поверхности должны быть сухими и чистыми, не загрязненными маслом и смазкой. Скользкие ручки и захватные поверхности не позволяют безопасно эксплуатировать насос и контролировать его в экстренных ситуациях.
- Во время работы насоса посторонние лица, дети и посетители должны находиться на безопасном расстоянии. Отвлекающие факторы приводят к ошибкам.
- При работе с насосом сохраняйте бдительность, следите за выполняемыми операциями и руководствуйтесь здравым смыслом. Не пытайтесь эксплуатировать насос, если вы устали или находитесь под действием наркотиков, алкоголя или лекарственных препаратов. Секундная невнимательность может стать причиной серьезной травмы.
- Используйте защитные приспособления. Обязательно пользуйтесь средствами защиты глаз. При работе в соответствующих условиях используйте пылезащитную маску, нескользящую защитную обувь и защитную каску.
- Привыкнув к работе с инструментами, не позволяйте себе халатно относиться к эксплуатации и игнорировать правила техники безопасности. Безответственность может стать причиной серьезной травмы всего за доли секунды.
- Не откачивайте воду из ручья, пруда или другого водоема, если это может привести к засасыванию посторонних объектов в насос. Твердые частицы могут попасть во впускной шланг.
- Поддерживайте надлежащее освещение и чистоту на

- работном месте. Загромождение пространства или плохое освещение повышают вероятность несчастных случаев.
- Предусмотрено использование только в крытом помещении.
- Используйте шланги с латунным фитингом с внутренней резьбой BSPT 19 мм (3/4 дюйма).
- Впускной шланг должен быть достаточно прочным и устойчивым к разрушению. Для достижения наилучших результатов используйте короткий шланг большого диаметра, например садовый шланг с внутренним диаметром 19 мм (3/4 дюйма) и длиной 183 см (6 футов). Использование более длинных или более тонких шлангов может снизить производительность и скорость потока.
- В качестве впускного шланга можно использовать обычный садовый шланг.

ИСПОЛЬЗОВАНИЕ

Этот насос предназначен, в частности, для опорожнения водонагревателей, резервуаров и т. д. Насос не является водонепроницаемым, не защищен от атмосферных воздействий и не предназначен для использования на открытом воздухе или в душевых комнатах, саунах или других местах с потенциально высокой влажностью.

Оценка данного насоса была выполнена только для работы с чистой водой. Он не предназначен для работы с соленой водой, соевым раствором, сливной водой из стиральных машин или любой другой жидкостью, которая может содержать едкие химические вещества и/или посторонние материалы. Насос не предназначен для использования в водной среде.

Сборка и подключение к источнику питания

АККУМУЛЯТОР

Перед использованием аккумулятора, которым не пользовались некоторое время, его необходимо зарядить. Температура свыше 50°C снижает работоспособность аккумуляторов. Избегайте продолжительного нагрева или прямого солнечного света (риск перегрева).

Контакты зарядного устройства и аккумуляторов должны содержаться в чистоте.

Для обеспечения оптимального срока службы аккумулятор необходимо полностью заряжать после использования прибора. Перед использованием аккумулятора, которым не пользовались некоторое время, его необходимо зарядить.

Для достижения максимально возможного срока службы аккумулятора после зарядки следует вынимать из зарядного устройства.

При хранении аккумулятора более 30 дней: Храните аккумулятор при 27°C в сухом месте. Храните аккумулятор с зарядом примерно 30% - 50%. Каждые 6 месяцев аккумулятор следует заряжать.

Не выбрасывайте использованные аккумуляторы вместе с домашним мусором и не сжигайте их. Дистрибьюторы компании Milwaukee предлагают восстановление старых аккумуляторов, чтобы защитить окружающую среду.

Не храните аккумуляторы вместе с металлическими предметами во избежание короткого замыкания.

Для зарядки аккумуляторов модели M18 используйте только зарядным устройством M18. Не заряжайте аккумуляторы других систем.



Никогда не вскрывайте аккумуляторы или зарядные устройства и храните их только в сухих помещениях. Следите, чтобы они всегда были сухими.

Аккумуляторная батарея может быть повреждена и дать течь под воздействием чрезмерных температур или повышенной нагрузки. В случае контакта с аккумуляторной кислотой немедленно промойте место контакта мылом и водой. В случае попадания кислоты в глаза промойте глаза в течение 10 минут и немедленно обратитесь за медицинской помощью.

Не допускается попадания каких-либо металлических предметов в аккумуляторный отсек зарядного устройства во избежание короткого замыкания.

ЗАЩИТА АККУМУЛЯТОРА ОТ ПЕРЕГРУЗКИ

При перегрузке аккумулятора слишком сильным током, например, вследствие слишком большого крутящего усилия, заклинивания электроинструмента, внезапной остановки или короткого замыкания электроинструмент останавливается в течение 2 секунд и отключается самостоятельно.

Для повторного включения следует отжать кнопку включения и потом снова включить.

При предельно высоких нагрузках аккумулятор может сильно нагреться. В этом случае аккумулятор отключится.

Чтобы снова зарядить и активировать аккумулятор, подключите его к зарядному устройству.

ТРАНСПОРТИРОВКА ЛИТИЙ-ИОННЫХ АККУМУЛЯТОРОВ

Литий-ионные аккумуляторы в соответствии с предписаниями закона транспортируются как опасные грузы.

Транспортировка этих аккумуляторов должна осуществляться с соблюдением местных, национальных и международных предписаний и положений.

Эти аккумуляторы могут перевозиться по улице потребителем без дальнейших обязательств.

При коммерческой транспортировке литий-ионных аккумуляторов экспедиторскими компаниями действующего положения, касающиеся транспортировки опасных грузов. Подготовка к отправке и транспортировка должны производиться исключительно специально обученными лицами. Весь процесс должен находиться под контролем специалиста.

При транспортировке аккумуляторов необходимо соблюдать следующие пункты:

Убедитесь, что контакты защищены и изолированы во избежание короткого замыкания. Следите за тем, чтобы аккумуляторный блок не соскользнул внутри упаковки. Транспортировка поврежденных или протекающих аккумуляторов запрещена. За дополнительными указаниями обратитесь к своему экспедитору.

ОБСЛУЖИВАНИЕ

Сохраняйте насос и его принадлежности в надлежащем состоянии. Выполняйте проверки на отсутствие нарушений выравнивания и застревания движущихся деталей, поломок деталей и любых других состояний, которые могут повлиять на работу насоса. В случае повреждения отремонтируйте насос перед его повторным использованием. Ненадлежащее обслуживание насоса может стать причиной опасных случаев.

- Выньте аккумулятор из машины перед проведением с ней каких-либо манипуляций. Перед обслуживанием любого компонента полностью снимите давление в системе.
- Перед обслуживанием полностью слейте из системы все жидкости.
- Периодически выполняйте визуальную проверку компонентов насоса и системы на предмет ослабления креплений и/или износа шлангов. Проверьте рабочее колесо на износ или засорение. Убедитесь в надежности крепления всех соединений.
- При обслуживании насоса используйте только идентичные запасные детали. Следуйте инструкциям, приведенным в разделе «Техническое обслуживание» настоящего руководства. Использование ненадлежащих деталей или несоблюдение инструкций по техническому обслуживанию может создать риск травмы или поражения электрическим током и привести к аннулированию гарантии.
- Не модифицируйте конструкцию и не пытайтесь отремонтировать насос или аккумуляторную батарею за исключением случаев, указанных в инструкции по эксплуатации и уходу.
- Чистка и уход не должны производиться детьми без присмотра.

Использовать прибор только если он находится в сохранности.

Ремонт должен выполняться только квалифицированными специалистами с использованием оригинальных запчастей, в противном случае оборудование может представлять опасность для пользователя.

Очищать прибор и защитное устройство с помощью сухой салфетки.

Некоторые чистящие средства могут повредить пластмассу или другие изолированные части.

Регулярное техобслуживание и очистка обеспечат продолжительный срок службы и безопасную эксплуатацию. Строго соблюдать указания по техобслуживанию и его интервалам.

Находящиеся под напряжением детали в верхней части пылесоса.

Пользуйтесь аксессуарами и запасными частями Milwaukee. В случае возникновения необходимости в замене, которая не была описана, обращайтесь в один из сервисных центров по обслуживанию электроинструментов Milwaukee (см. список сервисных организаций).

При необходимости может быть заказан чертеж инструмента с трехмерным изображением деталей. Пожалуйста, укажите номер и тип инструмента и закажите чертеж у Ваших местных агентов или непосредственно у Techtronic Industries GmbH, Max-Eyth-Straße 10, 71364 Winnenden, Germany.

ПРОБЛЕМА	ПРИЧИНА	ИСПРАВЛЕНИЕ
Насос не работает.	Блокировка рабочего колеса.	См. пункт «Замена/очистка рабочего колеса»
Слишком низкая скорость потока.	Впускная/выпускная линия засорена или повреждена. Попадание воздуха во впускное соединение. Крышка рабочего колеса закреплена неплотно. Рабочее колесо изношено.	Замените впускную/выпускную линию. Выполните проверку линий на наличие засоров, перегибов или изгибов. Устраните блокировку. Затяните впускное соединение, при необходимости нанеся тефлоновую ленту или установив прокладку. Затяните 4 (четыре) винта крышки вручную. См. пункт «Замена/очистка рабочего колеса»
Отключение насоса.	Отключение насоса из-за работы без жидкости. Рабочее колесо заблокировано. Аккумулятор установлен при включенном насосе.	Исправьте ситуацию, а затем выключите и снова включите инструмент.
Отключение при перегреве	Выпускная линия заблокирована. Слишком высокая температура выпускной линии. Слишком длинная выпускная линия. Насос слишком долго находится во включенном состоянии.	Дайте насосу остыть. Исправьте ситуацию, а затем выключите и снова включите инструмент.



ВНИМАНИЕ! ПРЕДУПРЕЖДЕНИЕ! ОПАСНОСТЬ!



Пожалуйста, внимательно прочтите инструкцию по использованию перед началом любых операций с инструментом.



Пользуйтесь приспособлениями для защиты слуха.



При работе с инструментом всегда надевайте защитные очки.



Устройство не предназначено для работы с легковоспламеняющимися или едкими жидкостями.



Температура перекачиваемой жидкости не должна превышать 60 °C (140 °F).



Осторожно! Не затягивайте слишком сильно и не перетягивайте плоскогубцами.



Не имеет устойчивости к морозу



Максимальное время непрерывной работы составляет 1 ч.



Во время работы насоса посторонние лица, дети и посетители должны находиться на безопасном расстоянии.



Устройство может использоваться только внутри помещений. Не допускается оставлять устройство под дождем.



Выньте аккумулятор из машины перед проведением с ней каких-либо манипуляций.



Запасная деталь - Не входит в комплектацию и доступна в качестве запасной детали.



Электроприборы, батареи/аккумуляторы запрещено утилизировать вместе с бытовым мусором. Электрические приборы и аккумуляторы следует собирать отдельно и сдавать в специализированную компанию для утилизации в соответствии с нормами охраны окружающей среды. Получите в местных органах власти или у вашего специализированного дилера сведения о центрах вторичной переработки и пунктах сбора.



Напряжение



Постоянный ток



Европейский знак соответствия



Украинский знак соответствия



Евразийский знак соответствия



Транспортировка:

Категорически не допускается падение и любые механические воздействия на упаковку при транспортировке.

При разгрузке/погрузке не допускается использование любого вида техники, работающей по принципу зажима упаковки.

Хранение:

Необходимо хранить в сухом месте.

Необходимо хранить вдали от источников повышенных температур и воздействия солнечных лучей.

При хранении необходимо избегать резкого перепада температур.

Хранение без упаковки не допускается.

Срок службы изделия:

Срок службы изделия составляет 5 лет.

Не рекомендуется к эксплуатации по истечении 5 лет хранения с даты изготовления без предварительной проверки.

**Дата изготовления (код даты)**

отштампован на поверхности корпуса изделия.

Пример:

A2015, где 2015 - год изготовления

A – месяц изготовления

Определить месяц изготовления можно согласно приведенной ниже таблице.

A - Январь	G - Июль
B - Февраль	H - Август
C - Март	J - Сентябрь
D - Апрель	K - Октябрь
E - Май	L - Ноябрь
F - Июнь	M - Декабрь

Тектроник Индастриз ГмбХ
Германия, 71364, Винненден,
ул. Макс-Ай-Штрассе, 10
Сделано в КНР

ТЕХНИЧЕСКИ ДАННИ Компактна трансферна помпа	M18 ВТР
Производствен номер	4742 30 01 000001-999999
Напрежение на акумулатора	18 V
Клас на защита	IPX4
Дебит макс.	30,3 l/min
Височина на главата макс.	23 m
Височина на поднасяне макс.	5,5 m
Температура на водата макс.	60 °C
Температура на въздуха макс.	40 °C
Монтаж на помпата	13 mm (1/2") NPT външна резба 19 mm (3/4") BSPT външна резба
(Маркуч)	19 mm (3/4") BSPT вътрешна резба
Непрекъснато време на работа макс.	1 h
Тегло без резервна батерия	3,4 kg
Тегло съгласно процедурата EPTA 01/2014 (Li-Ion 2,0 Ah ... 12,0 Ah)	4,0 kg..., 5,1 kg
Препоръчителни акумулаторни батерии	M18B...M18NB
Препоръчителни зарядни устройства	M12-18...; M1418C6



БЪЛ

⚠ ВНИМАНИЕ Прочетете всички указания за безопасност, инструкции, изображенията и техническите данни, които получавате с уреда. Ако не спазвате следните указания, това може да доведе до токов удар, пожар и/или тежки наранявания.

Запазете всички указания и инструкции за безопасност за бъдещето.

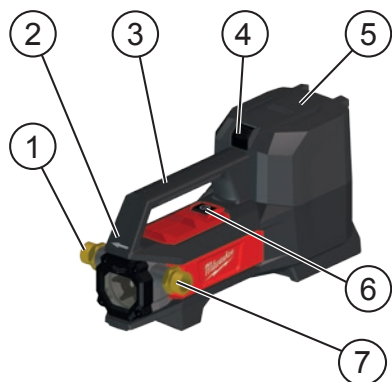
⚠ ИНСТРУКЦИИ ЗА БЕЗОПАСНОСТ ЗА ПОМПТЕ

- Не поставяйте помпата под вода и на влажни места. Поставяйте помпата само на сухи места.
- Никога не гледайте право към източника на светлина. НЕ свързвайте тръбопровода към помпата.
- Не изпомпвайте запалими или избухливи течности като бензин, мазут, керосин и подобни. Не използвайте уреда в помещения с избухлива атмосфера.
- Не изпомпвайте вода с температура по-висока от 60 °C (140 °F). Не изпомпвайте пясък, дребни частици или големи отломки. Помпата ще се повреди.
- Не допускате помпата да работи на сухо за повече от 10 секунди. Изключвайте помпата бързо след приключване на работа. Винаги сваляйте батерията, преди да монтирате или обслужвате помпата.
- Не оставяйте работещата помпа без надзор. Пренебрегването на това предупреждение може да доведе до сериозно нараняване и/или смърт.
- Винаги сваляйте батерията, преди да монтирате или обслужвате помпата. Никога не боравете с помпата с мокри ръце или когато стоите на мокра или влажна повърхност, или във вода. Може да настъпи смъртоносен електрически удар.
- Фиксирайте маркуча за изпразване преди да стартирате помпата. Нефиксираният маркуч за изпразване може да Ви удари. Последствията могат да бъдат смърт или наранявания.

- Не използвайте помпата ако бутонът за включване/изключване не функционира. Всяка помпа, която не може да бъде управлявана чрез бутона за включване/изключване, е опасна и следва да бъде ремонтирана.
- Не използвайте помпата в експлозивни среди, напр. при наличие на запалителни течности, газове или прах. Електродвигателите генерират искри, които ще възпламенят праха от изпаренията.
- Обличайте се по подходящ начин. Не носете широки дрехи или бижута. Дръжте косата, дрехите и ръкавиците си далеч от движещите се части. Ако имате дълга коса, носете работно боне. Широки дрехи, бижута или дълга коса могат да бъдат захванати от движещите се части.
- Не се накланяйте прекалено много напред и пазете равновесие по всяко време. Правилните стойка и равновесие позволяват по-добър контрол в неочаквани ситуации.

Този уред не е подходящ за използване от лица (включително деца) с редуцирани физически, сензорни или умствени качества или с недостатъчен опит, респективно специализирани познания, освен ако те не бъдат инструктирани или наблюдавани от отговарящо за тяхната безопасност лице. Освен това контролирайте децата, за да се уверите, че не си играят с уреда.. Децата не трябва да играят с уреда.

Поцистване и поддържане не трябва да се извършва от деца без наблюдение.



- 1 Изходен канал
- 2 Индикатор на посоката на потока
- 3 Ръкохватка
- 4 Бутон за отделинето на батерията
- 5 Отделение на батерията
- 6 Бутон за вкл./изкл.
- 7 Входен канал



ДОПЪЛНИТЕЛНИ УКАЗАНИЯ ЗА РАБОТА И БЕЗОПАСНОСТ

- Не е предназначена за питейна вода или други питейни течности.
- Винаги отстранявайте батерията от помпата преди да извършвате каквито и да е настройки, смяна на аксесоари или съхранение на уреда. Такива превантивни мерки за безопасност намаляват риска от случайно стартиране на уреда.
- Поддържайте дръжките и повърхностите за захващане сухи, чисти и без масла и грес. Хлъзгавите дръжки и повърхности за захващане не позволяват безопасна работа и контрол на инструмента при неочаквани ситуации.
- Дръжте минувачи, деца и посетители на разстояние, докато помпата работи. Разсейването ще доведе до грешки.
- Бъдете нащрек, внимавайте и използвайте здравия си разум, когато работите с тази помпа. Не се опитвайте да работите с тази помпа, когато сте уморени или сте под влияние на наркотици, алкохол или медикаменти. Миг невнимание може да предизвика сериозно нараняване.
- Използвайте защитна екипировка. Винаги носете защитни очила. Противопрахова маска, нехлъзгащи се обувки и каска следва да бъдат използвани, ако условията го изискват.
- Не позволявайте на рутината, придобита от честото използване на инструменти, да Ви направи невнимателно и поради това да пренебрегнете принципите за безопасност на инструментите. Едно невнимателно действие може да причини тежка травма за части от секундата.
- Не изпомпвайте вода от поток, езеро или от водоизточник, от които могат в помпата могат да бъдат засмукани чужди тела. Твърди частици могат да влязат във входящия маркуч.
- Поддържайте работното място чисто и добре осветено. Безпорядъкът и недостатъчното осветление могат да предизвикат злополуки.
- Да се използва само на закрито.

- Използвайте маркучи 19 мм (3/4") месингов женски фитинг BSPT.
- Следва да се използва професионален маркуч за входящия канал, за да се предотврати пренапрягане на маркуча. За най-добри резултати, използвайте къс маркуч с голям диаметър, напр. градински маркуч с дължина 183 см (6'), и вътрешен диаметър 19мм (3/4"). По-дълги или по-тънки маркучи могат да намалят производителността и дебита.
- Обикновен градински маркуч може да бъде използван като маркуч за изходния канал.

ИЗПОЛЗВАНЕ ПО ПРЕДНАЗНАЧЕНИЕ

Тази помпа е предназначена за приложения като изпразване на водонагреватели, резервоари и др. Помпата не е водоустойчива или устойчива на атмосферни влияния и не е предназначена за използване на открито или вътре в душове, сауни или други потенциално мокри места.

Тази помпа е тествана за употреба само с чиста вода. Тя не е предназначена за работа със солена вода, саламура, отпадна вода от перални машини или други приложения, които могат да съдържат разяждащи химикали и/или несвойствени материали. Тази помпа не е подходяща за употреба с водни организми.

Сглобяване и свързване със захранването

АКУМУЛАТОРИ

Акумулатори, които не са ползвани по-дълго време, преди употреба да се дозаредят.

Температура над 50°C намалява мощността на акумулатора. Да се избягва по-продължително нагряване на слънце или от отопление.

Поддържайте чисти присъединителните контакти на зарядното устройство и на акумулатора.

За оптимална продължителност на живот след употреба батериите трябва да се заредят напълно. Акумулатори, които не са ползвани по-дълго време, преди употреба да се дозаредят.

За възможно по-дълга продължителност на живот батериите трябва да се изваждат от уреда след зареждане.

При съхранение на батериите за повече от 30 дни: съхранявайте батерията при прилбл. 27°C и на сухо място. Съхранявайте батерията при 30 до 50 % от заряда. Зареждайте батерията на всеки 6 месеца.

Не извърляйте изхабените акумулатори в огъня или в при битовите отпадъци. Milwaukee предлага екологосъобразно събиране на старите акумулатори; моля попитайте Вашия специализиран търговец.

Не съхранявайте акумулаторите заедно с метални предмети (опасност от късо съединение).

Акумулатори от системата M18 да се заредят само със зарядни устройства от системата M18 laden. Да не се заредят акумулатори от други системи.

Не отваряйте акумулатори и зарядни устройства и ги съхранявайте само в сухи помещения. Пазете ги от влага.

При екстремно натоварване или екстремна температура от повредени акумулатори може да изтече батерийна течност. При допир с такава течност веднага измийте с вода и сапун. При контакт с очите веднага изплаквайте старателно най-малко 10 минути и незабавно потърсете лекар.

В гнездото за акумулатори на зарядните устройства не бива да попадат метални части (опасност от късо съединение).

ЗАЩИТА ОТ ПРЕТОВАРВАНЕ НА БАТЕРИЯТА

Електронинструментът спира за 2 секунди и се изключва автоматично при претоварване на батерията чрез много висока консумация на енергия, причинена например от изключително висок въртящ момент, заклиняване на работния инструмент, внезапно спиране или късо съединение.

За да го включите повторно, освободете превключвателя и след това включете уреда.

При извънредни натоварвания акумулаторът може да се нагрее силно. В този случай акумулаторът изключва.

Тогава акумулаторът да се включи към зарядното устройство, за да се дозареди и активира.

ПРЕВОЗ НА ЛИТИЕВО-ЙОННИ БАТЕРИИ

Литиево-йонните батерии са предмет на законовите разпоредби за превоз на опасни товари.

Превозът на тези батерии трябва да се извършва в съответствие с местните, националните и международните разпоредби и регламенти.

Потребителите могат да превозват тези батерии по пътя без допълнителни изисквания.

Превозът на литиево-йонни батерии от транспортни компании е предмет на законовите разпоредби за превоз на опасни товари. Подготовката на превоза и самият превоз трябва да се извършват само от обучени лица. Целият процес трябва да е под професионален надзор.

Спазвайте следните изисквания при превоз на батерии:

Уверете се, че контактите са защитени и изолирани, за да се избегне късо съединение. Уверете се, че няма опасност от разместване на батерията в опаковката. Не превозвайте повредени батерии или такива с течове. Обърнете се към Вашата транспортна компания за допълнителни инструкции.

ПОДДРЪЖКА

Поддържайте помпата и аксесоарите. Проверете за разместване или слепване на движещи се части, счупване на части и всяко друго състояние, което може да повлияе на работата на помпата. Ако е повредена, поправете помпата преди употреба. Лошо поддържана помпа може да предизвика злополуки.

- Преди започване на каквито и да е работи по машината извадете акумулатора. Освободете цялото налягане в системата преди обслужване на който и да е компонент.
- Източете всички течности от системата преди сервизно обслужване.
- Периодично проверявайте компонентите на помпата и системата, обръщайки внимание на слаби и/или износени маркучи. Проверете ротора за износване или блокиране. Уверете се, че всички връзки са обезпечени.
- Когато извършвате сервизно обслужване на помпата, използвайте единствено идентични резервни части. Следвайте инструкциите в раздела за сервизна поддръжка на това ръководство. Използването на неотризири части или неспазването на инструкциите за поддръжка може да създаде риск от токов удар или нараняване и може да анулира гаранцията.

- Не променяйте и не се опитвайте да поправите помпата или батерията, освен както е посочено в инструкциите за употреба и поддръжка.
- Почистване и поддържане не трябва да се извършва от деца без надглеждане.

Използвайте уреда само, ако той е в изправно състояние.

Ремонти трябва да бъдат извършвани само от квалифициран електротехник, като се използват оригинални резервни части. В противен случай може да се стигне до злополуки с оператора.

Почиствайте уреда и предпазното съоръжение със суха кърпа.

Някои почистващи препарати могат да повредят пластмасата или други изолирани части.

Редовната поддръжка и редовното почистване осигуряват по-дълъг живот и по-сигурна експлоатация.

Спазвайте стриктно времето за и интервалите на поддръжка.

Изпълнете само поддържаща работа, които са описани в тази информация.

Да се използват само аксесоари на Milwaukee и резервни части на Milwaukee. Елементи, чията подмяна не е описана, да се дадат за подмяна в сервиз на Milwaukee (вижте брошурата „Гаранция и адреси на сервизи“).

При необходимост можете да поискате за уреда от Вашия сервиз или директно от Techtronic Industries GmbH, Max-Eyth-Straße 10, 71364 Winnenden, Germany, чертеж за в случай на експлозия, като посочите типа на машината и номер върху заводската табелка.



БЪЛ

ПРОБЛЕМ	ПРИЧИНА	КОРЕКЦИЯ
Помпата не работи.	Блокаж на ротора.	Вижте „Подмяна/почистване на ротора“
Дебитът е твърде нисък.	Входната/изходната линия е запушена или повредена. Входящата връзка не е херметична. Капакът на ротора не е здраво закрепен. Роторът е износен.	Сменете входната/изходната линия. Проверете линиите за запушвания, прегъвания или възли. Освободете запушванията. Затегнете входната връзка, добавяйки тефлонова лента или уплътнение, ако е необходимо. Затегнете ръчно четирите (4) винтчета на капака. Вижте „Подмяна/освобождаване на ротора“
Изключване на помпата.	Изключване на помпата на сухо. Заклучен ротор. Батерията е монтирана, когато помпата е включена.	Коригирайте ситуацията, след това изключете инструмента, след което го включете, за да го нулирате.
Изключване при прегряване	Блокирана линия на изходния канал. Линията на изходния канал е разположена твърде високо. Линията на изходния канал е твърде дълга. Помпата работи твърде дълго.	Оставете помпата да се охлади. Коригирайте ситуацията, след това изключете инструмента, след което го включете, за да го нулирате.



БЪЛ



ВНИМАНИЕ! ПРЕДУПРЕЖДЕНИЕ! ОПАСНОСТ



Преди пускане на уреда в действие моля прочетете внимателно инструкцията за използване.



Да се носи предпазно средство за слуха!



При работа с машината винаги носете предпазни очила.



Не е предназначена за запалими или разяждащи химически течности.



Макс. температура на пренасяната течност не може да надвишава 60 °C (140 °F).



Внимание! Не много силно и не затягайте с клещи.



Не е устойчива на замръзване



Макс. продължителност на експлоатацията 1 час.



Дръжте минавачи, деца и посетители на разстояние, докато помпата работи.



Уредът е подходящ за използване само в помещения.
Да не се излага на дъжд.



Преди започване на каквито е да работи по машината извадете акумулатора.



Резервна част — не е включена в стандартното оборудване, а се предлага като резервна част.



Електрическите уреди, батерии/акумулаторни батерии не трябва да се изхвърлят заедно с битовите отпадъци. Електрическите уреди и акумулаторни батерии трябва да се събират отделно и да се предават на службите за рециклиране на отпадъците според изискванията за опазване на околната среда. Информирайте се при местните служби или при местните специализирани търговци относно местата за събиране и центровете за рециклиране на отпадъци.



Напрежение



Постоянен ток



Европейски знак за съответствие



Украински знак за съответствие



Евро-азиатски знак за съответствие

DATE TEHNICE Pompă de transfer compactă	M18 BTP
Număr producție	4742 30 01 000001-999999
Tensiune acumulator	18 V
Clasă de protecție	IPX4
Debit max.	30,3 l/min
Putere de pompare max.	23 m
Putere de absorbție max.	5,5 m
Temperatură apă max.	60 °C
Temperatura aerului max.	40 °C
Ștuțuri pompă	13 mm (1/2") NPT filet exterior pe 19 mm (3/4") BSPT filet exterior
(Furtun)	19 mm (3/4") BSPT filet interior
Timp de funcționare continuă max.	1 h
Greutate fără baterie	3,4 kg
Greutatea conform „EPTA procedure 01/2014” (Li-Ion 2,0 Ah ... 12,0 Ah)	4,0 kg..., 5,1 kg
Seturi de baterii recomandate	M18B...M18HB
Încărcător de baterii recomandat	M12-18...; M1418C6

⚠ AVERTISMENT Citiți toate instrucțiunile de securitate, recomandările, reprezentările grafice și datele pe care le primiți livrate împreună cu aparatul. În cazul în care nu veți respecta următoarele instrucțiuni, se poate ajunge la electrocutare, incendii și/sau răniri grave.

Păstrați toate indicațiile de avertizare și instrucțiunile în vederea utilizărilor viitoare.

⚠ INSTRUCȚIUNI DE SIGURANȚĂ PENTRU POMPE

- Nu imersați pompa și nu o amplasați în zone ude. Amplasați pompa numai în locuri uscate.
- Vă rugăm să nu priviți niciodată direct în lumină. NU conectați conducte la pompă.
- Nu pompați lichide inflamabile sau explozibile, precum benzina, motorina, kerosenul etc. Nu folosiți aparatul în încăperi cu o atmosferă potențial explozivă.
- Nu pompați apă cu o temperatură peste 60 °C (140 °F). Nu pompați nisip, particule de materiale sau reziduuri de dimensiuni mari. Acesta va deteriora pompa.
- Nu lăsați pompa să funcționeze pe uscat mai mult de 10 secunde. Opriiți pompa imediat după ce a încheiat sarcina. Îndepărtați întotdeauna blocul de acumulatori înainte de a instala sau servisa pompa.
- Nu permiteți operarea pompei fără supraveghere. Nerespectarea acestui avertisment poate avea ca rezultat vătămări personale și/sau deces.
- Îndepărtați întotdeauna blocul de acumulatori înainte de a instala sau servisa pompa. Nu manipulați niciodată pompa cu mâinile ude sau stând pe o suprafață udă sau umedă sau în apă. Este posibilă electrocutarea letală.
- Înainte de începe pomparea, asigurați furtunul de evacuare. Un furtun de evacuare neasigurat poate prezenta scurgeri. Rezultatul poate consta în vătămări personale și/sau deces.

- Nu utilizați pompa dacă comutatorul nu o pornește/oprește. Orice pompă care nu poate fi controlată de la comutator este periculoasă și trebuie reparată.
- Nu operați pompa în atmosfere explozibile, cum ar fi cele în prezența lichidelor, gazelor sau pulberilor inflamabile. Motoarele generează scântei care vor aprinde pulberea sau vaporii.
- Purtați îmbrăcămintea corespunzătoare. Nu purtați îmbrăcămintea largă sau bijuterii. Țineți părul, îmbrăcămintea și mânușile departe de piesele în mișcare. Purtați un articol de protecție pentru reținerea părului lung. Articolele de îmbrăcăminte largi, bijuteriile sau părul lung pot fi prinse în componentele mobile.
- Nu vă îndreptați prea mult în exterior și mențineți-vă tot timpul echilibrul. Poziția corespunzătoare și echilibrul permit un control mai bun în situații neașteptate.

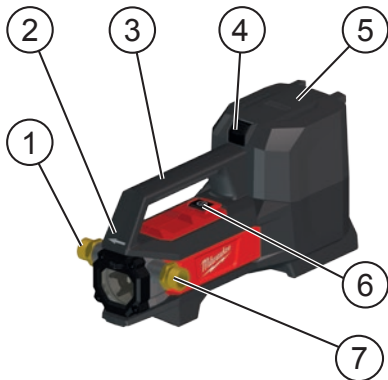
Acest aparat nu este indicat pentru a fi folosit de persoane (inclusiv de copii) cu capacități fizice, senzoriale și mentale reduse sau care nu au experiență și nu au suficiente cunoștințe de specialitate, decât dacă sunt supravegheate de o persoană responsabilă pentru securitatea lor sau dacă au fost instruite corespunzător de acestea. Copiii trebuie de asemenea supravegheați pentru a fi siguri că nu se joacă cu aparatul.

Copiii nu au voie și se joacă cu aparatul.

Curățarea și întreținerea curentă efectuată de utilizator nu sunt permise copiilor fără supraveghere.



Ro



- ① Evacuare
- ② Indicator al direcției fluxului
- ③ Mâner
- ④ Buton pentru compartimentul de acumulatori
- ⑤ Compartimentul blocului de acumulatori
- ⑥ Buton pornire/oprire
- ⑦ Admisie

INSTRUCȚIUNI SUPLIMENTARE DE SIGURANȚĂ ȘI DE LUCRU

- Nu este pentru apă potabilă sau alte lichide potabile.
- Îndepărtați întotdeauna blocul de acumulatori din pompă înainte de a face orice reglări, de a înlocui accesorii sau de a depozita dispozitivul. Astfel de măsuri preventive reduc riscul ca dispozitivul să pornească accidental.
- Păstrați mânerul și suprafețele de prindere uscate, curate și fără ulei sau vaselină. Mânerul și suprafețele de prindere alunecoase nu permit manipularea și controlul în siguranță al dispozitivului în situații neașteptate.
- Mențineți la distanță persoanele prezente, copiii și vizitatorii în timpul operării pompei. Distragerea atenției poate avea ca rezultat greșeli.
- Mențineți-vă starea de vigilență, urmăriți ceea ce faceți și faceți uz de simțul practic atunci când operați această pompă. Nu încercați să operați această pompă dacă sunteți obosit sau sub influența drogurilor, alcoolului sau medicației. Un moment de neatenție ar putea cauza vătămări corporale grave.
- Utilizați echipament de siguranță. Purtați întotdeauna ochelari de protecție. Mască contra prafului, încălțăminte de siguranță antiderapantă și casca dură trebuie utilizate pentru condițiile respective.
- Nu permiteți ca familiarizarea pe care ați câștigat-o din utilizarea frecventă a dispozitivului să vă permită să deveniți foarte încrezător și să ignorați principiile de siguranță ale dispozitivului. O acțiune neatență poate provoca vătămări grave într-o fracțiune de secundă.
- Nu pompați apa din pârâu, iaz sau surse în care există obiecte străine care pot fi aspirate în pompă. Materialele solide pot pătrunde în furtunul de admisie.
- Păstrați zona de lucru curată și bine iluminată. Zonele dezordonate sau întunecate favorizează accidentele.
- Numai pentru utilizare în interior.

- Utilizați furtunuri cu fitting-mamă din alamă BSPT de 19 mm (3/4").
- Pentru furtunul de admisie se va utiliza un furtun pentru sarcini grele, pentru a preveni turtirea furtunului. Pentru rezultate optime, utilizați un furtun cu lungime scurtă, cu diametru mare, cum ar fi un furtun de grădină de 183 cm (6') cu diametrul interior de 19 mm (3/4"). Furtunurile mai lungi sau mai subțiri pot reduce performanțele și debitul.
- Ca furtun de evacuare se poate utiliza un furtun de grădină obișnuit.

CONDIȚII DE UTILIZARE SPECIFICATE

Această pompă este destinată pentru utilizări precum golirea încălzitoarelor de apă, rezervoarelor etc. Pompa nu este impermeabilă la apă sau rezistentă la intemperii și nu este destinată utilizării în aer liber sau în interiorul dușurilor, saunelor sau în alte locații potențial ume.

Această pompă a fost evaluată pentru utilizarea numai cu apă curată. Nu este destinată să transfere apă sărată, saramură, apă de la spălarea rufoilor sau pentru orice altă utilizare care poate conține substanțe chimice caustice și/sau materiale străine. Această pompă nu este adecvată pentru utilizarea în mediul cu viață acvatică.

Montarea și conectarea la alimentarea electrică

ACUMULATORI

Acumulatorii care nu au fost utilizați o perioadă de timp trebuie reîncărcați înainte de utilizare

Temperatura mai mare de 50°C (122°F) reduce performanța acumulatorului. Evitați expunerea prelungită la căldură sau radiație solară (risc de supraîncălzire)

Contactele încărcătoarelor și acumulatorilor trebuie păstrate curate.

În scopul optimizării duratei de funcționare, bateriile trebuie reîncărcate complet după utilizare. Acumulatorii care nu au fost utilizați o perioadă de timp trebuie reîncărcați înainte de utilizare. Pentru o durată de viață cât mai lungă, acumulatorii ar trebui scoși din încărcător după încărcare.

La depozitarea acumulatorilor mai mult de 30 zile: Acumulatorii se depozitează la cca. 27°C și la loc uscat. Acumulatorii se depozitează la nivelul de încărcare de cca. 30%-50%. Acumulatorii se încarcă din nou la fiecare 6 luni.

Nu aruncați acumulatorii uzați la containerul de reziduri menajere și nu îi ardeți. Milwaukee Distributors se oferă să recupereze acumulatorii vechi pentru protecția mediului înconjurător.

Nu depozitați acumulatorul împreună cu obiecte metalice (risc de scurtcircuit)

Folosiți numai încărcătoare System M18 pentru încărcarea acumulatorilor System M18. Nu folosiți acumulatori din alte sisteme.

Nu deschideți niciodată acumulatorii și încărcătoarele și pastrați-le numai în încăperi uscate. Pastrați-le întotdeauna uscate.

Acidul se poate scurge din acumulatorii deteriorați la încălziri sau temperaturi extreme. În caz de contact cu acidul din acumulator, spălați imediat cu apă și săpun. În caz de contact cu ochii, clătiți cu atenție timp de cel puțin 10 minute și apelați imediat la îngrijire medicală.

Nu se permite introducerea nici unei piese metalice în locașul pentru acumulator al încărcătorului. (risc de scurtcircuit)

PROTECȚIE SUPRAÎNCĂRCARE ACUMULATOR

În caz de suprasarcină a acumulatorului prin consum foarte mare de curent, de ex. ca urmare a unor momente de rotație extreme, înțepenirea sculei inserate, stop bruscat sau scurtcircuit, scula electrică se oprește pentru 2 secunde și se deconectează de la sine. Pentru reconectare dați drumul întrerupătorului și conectați din nou.

În condiții de încărcări extreme, acumulatorul se poate încălzi peste măsură. În acest caz, acumulatorul se decuplează.

Pentru a-l reîncărca și activa, puneți acumulatorul în în aparatul de încărcare.

TRANSPORTUL ACUMULATORILOR CU IONI DE LITIU

Acumulatorii cu ioni de litiu cad sub incidența prescripțiilor legale pentru transportul de mărfuri periculoase.

Transportul acestor acumulatori trebuie să se efectueze cu respectarea prescripțiilor și reglementărilor pe plan local, național și internațional.

Consumatorilor le este permis transportul rutier nerestricționat al acestui tip de acumulatori.

Transportul comercial al acumulatorilor cu ioni de litiu prin intermediul firmelor de expediție și transport este supus reglementărilor transportului de mărfuri periculoase. Pregătirea pentru expediție și transportul au voie să fie efectuate numai de către personal instruit corespunzător. Întregul proces trebuie asistat în mod competent.

Următoarele puncte trebuie avute în vedere la transportul acumulatorilor:

Pentru a se evita scurtcircuite, asigurați-vă de faptul că sunt protejate și izolate contactele. Aveți grijă ca pachetul de acumulatori să nu poată aluneca în altă poziție în interiorul ambalajului său. Este interzis transportarea unor acumulatori deteriorați sau care pierd lichid. Pentru indicații suplimentare adresați-vă firmei de expediție și transport cu care colaborați.

ÎNȚEȚINERE

Înțețineți pompa și accesoriile acesteia. Verificați nealinierarea sau blocarea pieselor în mișcare, ruperea pieselor și orice altă situație care ar putea afecta funcționarea pompei. Dacă este deteriorată, pompa trebuie reparată înainte de utilizare. O pompă înțeținută defectuos poate provoca accidente.

- Îndepărtați acumulatorul înainte de începerea lucrului pe mașina. Eliberați complet presiunea din sistem înainte de a servisa vreo componentă.
- Scurgeți toate lichidele din sistem înainte de servizare.
- Inspectați periodic componentele pompei și ale sistemului, verificând furtunurile slăbite și/sau uzate. Verificați rotorul cu privire la uzură sau blocaj. Asigurați-vă că toate conexiunile sunt sigure.
- La servizarea pompei, utilizați numai piese de schimb identice. Urmăți instrucțiunile din secțiunea Înțeținere a acestui manual. Utilizarea pieselor neautorizate sau nerespectarea instrucțiunilor de înțeținere pot crea riscuri de electrocutare sau rănire și pot anula garanția.
- Nu modificați sau nu încercați să reparați pompa sau blocul de acumulatori, cu excepția modului în care este indicat în instrucțiunile de utilizare și de îngrijire.
- Curățarea și înțeținerea curentă efectuată de utilizator nu sunt permise copiilor fără supraveghere.

Punerea în funcțiune este permisă numai dacă starea tehnică este în ordine.

Reparațiile trebuie efectuate doar de un electrician specializat, folosind piese de schimb originale; în caz contrar pot rezulta accidente pentru utilizator.

Curățați aparatul și dispozitivul de protecție cu o lavetă uscată. Unii agenți de curățat deteriorează materialul plastic și alte componente izolate.

Înțeținerea și curățarea efectuate în mod regulat, asigură o durată de exploatare lungă și o manipulare în condiții de siguranță.

Operațiile și intervalele de înțeținere trebuie respectate în mod obligatoriu.

Numai înțeținere de lucru, care, în instrucțiunile de operare.

Utilizați numai accesorii și piese de schimb Milwaukee. Dacă unele din componente care nu au fost descrise trebuie înlocuite, vă rugăm contactați unul din agenții de service Milwaukee (vezi lista noastră pentru service / garanți).

Dacă este necesar, se poate comanda o imagine descompusă a sculei. Vă rugăm menționați numărul art. Precum și tipul mașinii tipărit pe etichetă și comandați desenul la agenții de service locali sau direct la Techtronic Industries GmbH, Max-Eyth-Straße 10, 71364 Winnenden, Germany.



DEPANARE

PROBLEMĂ	CAUZĂ	REMEDIERE
Pompa nu funcționează.	Rotor blocat.	Vezi „Înlocuirea/deblocarea rotorului”
Debitul este prea mic.	Furtunul de admisie/evacuare este colmatat sau deteriorat. Conexiunea de admisie nu este etanșă contra pătrunderii aerului. Capacul rotorului nu este fixat strâns. Rotor uzat.	Înlocuiți furtunul de admisie/evacuare. Verificați furtunurile cu privire la colmatări, bucle sau îndoituri. Eliminați colmatările. Etanșați furtunul de admisie cu bandă de teflon sau cu o garnitură, dacă este necesar. Strângeți cu mâna cele patru (4) șuruburi ale capacului. Vezi „Înlocuirea/deblocarea rotorului”
Pompa se oprește.	Pompa se oprește la funcționarea pe uscat. Rotor blocat. Acumulator montat în timp ce pompa este pornită.	Remediați situația, apoi opriți dispozitivul și reporniți-l pentru resetare.
Oprire de supratemperatură	Furtun de evacuare colmatat. Furtun de evacuare la înălțime prea mare. Furtun de evacuare prea lung. Pompa a fost PORNITĂ prea mult timp.	Lăsați pompa să se răcească. Remediați situația, apoi opriți dispozitivul și reporniți-l pentru resetare.

SIMBOLURI


PERICOL! AVERTIZARE! ATENȚIE!



Va rugăm citiți cu atenție instrucțiunile înainte de pornirea mașinii



Purtați căști de protecție



Purtați întotdeauna ochelari de protecție când utilizați mașina.



A nu se utiliza pentru lichide inflamabile sau chimicale lichide caustice.



A nu se depăși temperatura max. de 60 °C (140 °F) a lichidului de transferat.



Atenție! Nu strângeți prea tare și nu utilizați clești.



Nu rezistă la îngheț



Timp max. de funcționare 1 oră.



Mențineți la distanță persoanele prezente, copiii și vizitatorii în timpul operării pompei.



Acest aparat este recomandat doar pentru utilizare în interior. Nu expuneți niciodată aparatul la ploaie.



Îndepărtați acumulatorul înainte de începerea lucrului pe mașina



Piesă de schimb - Nu este inclusă în echipamentul standard, însă este disponibilă ca piesă de schimb.



Aparatele electrice, bateriile/acumulatorii nu se elimină împreună cu deșeurile menajere. Aparatele electrice și acumulatorii se colectează separat și se predau la un centru de reciclare, în vederea eliminării ecologice. Informați-vă de la autoritățile locale sau de la comercianții acreditați în legătură cu centrele de reciclare și de colectare.



Tensiune



Curent continuu



Marcă de conformitate europeană



Marcă de conformitate ucraineană



Marcă de conformitate eurasiatică

ТЕХНИЧКИ ПОДАТОЦИ	M18 ВТР
Компактна пумпа за пренос на течности	
Произведен број	4742 30 01 000001-999999
Волтажа на батеријата	18 V
Класа на заштита	IPX4
Брзина на проток макс.	30,3 l/min
Висина на главата макс.	23 m
Висина на кревање макс.	5,5 m
Температура на водата макс.	60 °C
Температура на воздухот макс.	40 °C
Приклучок за црево	13 mm (1/2") NPT надворешен навој на 19 mm (3/4") BSPT надворешен навој
(Црево)	19 mm (3/4") BSPT внатрешен навој
Континуирано работно време макс.	1 h
Тежина без батерија	3,4 kg
Тежина според ЕПТА-процедурата 01/2014 (Li-Ion 2,0 Ah ... 12,0 Ah)	4,0 kg..., 5,1 kg
Препорачани комплекти акумулаторски батерии	M18B...M18HB
Препорачани полначи	M12-18...; M1418C6



Mak

⚠ ПРЕДУПРЕДУВАЊЕ Прочитајте ги сите безбедносни напомени, упатства, цртежи и податоци, коишто ги добивате заедно со уредот. Доколку не ги почитувате следните упатства, може да дојде до електричен удар, до пожар и/или до тешки повреди.
Сочувајте ги сите безбедносни упатства и инструкции за во иднина.

⚠ БЕЗБЕДНОСНИ УПАТСТВА ЗА ПУМПИ

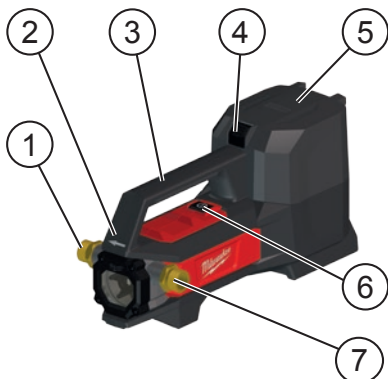
- Не ја ставајте пумпата под вода или во влажни места. Ставајте ја пумпата само на суви места.
- Ве молиме никогаш не гледајте директно во светилката. НЕ поврзувајте кабелски канал со пумпата.
- Не пумпајте запаливи или експлозивни течности како на пример бензин, мазут, керозин и др. Не ја употребувајте направата во просторија каде постои потенцијална можност за експлозија.
- Не пумпајте вода со температура над 60 °C (140 °F). Не пумпајте песок, честички или големи остатоци. Не дојде до оштетување на пумпата.
- Не дозволувајте пумпата да работи насуво повеќе од 10 секунди. Исклучете ја брзо пумпата кога ќе се заврши работата. Секогаш извадете го батериското пакување пред да ја инсталирате или сервисирате пумпата.
- Не ја оставајте пумпата да работи без надзор. Ако не се почитува ова предупредување, може да дојде до телесна повреда и/или смрт.
- Секогаш извадете го батериското пакување пред да ја инсталирате или сервисирате пумпата. Никогаш не ракувајте со пумпата со водени раце или кога стоите на водена или влажна површина или во вода. Може да настане фатален струен удар.

- Прицврстете го црево то за празнење пред да ја стартувате пумпата. Неприцврстеното црево за празнење може да се откачи. Може да дојде до телесна повреда и/или смрт.
- Немојте да ја користите пумпата ако копчето не сака да се вклучи и исклучи. Пумпите што не може да се контролираат со прекинувачот се опасни и мора да се поправат.
- Не ја користете пумпата во експлозивни подрачја, како на пример во присуство на запаливи течности, гасови или прав. Моторите создаваат искри коишто ќе ја запалат правта од гасовите.
- Носете соодветна облека. Немојте да носите широка облека или накит. Држете ги косата, облеката и ракавиците подалеку од подвижните делови. Носете заштитна прекривка за собирање долга коса. Широката облека, накит или долга коса може да се фатат во подвижните делови.
- Не се наслонувајте премногу према напред и во секое време одржувајте ја рамнотежата. Правилната основа и баланс овозможуваат подобра контрола во неочекувани ситуации.

Овој апарат не е наменет за употреба од страна на лица (вклучувајќи деца) со намалени телесни, сензорични или душевни способности или со недостаток на искуство односно стручно знаење, освен во случај кога наведените лица соодветно се инстрирани или надгледувани од страна на лице кое што е одговорно за нивната безбедност. Покрај тоа децата ионака треба да бидат надгледувани за да бидете сигурни дека нема да играат со апаратот.

Деца не смее да си играат со апаратот.

Чистење и одржување на апаратот не смее да вршат деца без соодветен надзор.



- ① Одвод
- ② Индикатор за насока на проток
- ③ Рачка
- ④ Копче на одделот за батерија
- ⑤ Оддел за батерија
- ⑥ Копче „Вклучи/Исклучи“
- ⑦ Довод

ОСТАНАТИ БЕЗБЕДНОСНИ И РАБОТНИ УПАТСТВА

- Не е за вода за пиење или други течности за пиење.
- Секогаш извадете го батериското пакување од пумпата пред регулирање, промена на дополнителна опрема или складирање на апаратот. Ваквите превентивни безбедносни мерки го намалуваат ризикот од случајно стартување на апаратот.
- Одржувајте ги рачките и површините за фаќање суви, чисти и без масло и мазива. Лизгавите рачки и површини за фаќање не дозволуваат сигурно ракување и контрола на алатот во неочекувани ситуации.
- Кога пумпата работи, набљудувајте, децата и посетителите треба да бидат на одредено растојание. Одвлекувањето внимание може да доведе до грешки.
- Бидете внимателни, гледајте што правите и користете здрав разум кога работите со пумпата. Не се обидувајте да работите со пумпата кога сте изморени или под влијание на дроги, алкохол или лекови. Еден момент на невнимание може да доведе до сериозна телесна повреда.
- Користете заштитна опрема. Секогаш носете заштита за очите. За соодветни околности мора да се користат маска за прашина, безбедносни чевли што не се лизгаат и заштитен шлем.
- Не дозволувајте да се опуштите како резултат на искуството стекнато од често користење на алатот и да ги игнорирате безбедносните принципи на алатот. Невнимателното дејство може да предизвика сериозна повреда во дел од секундата.
- Не пумпајте вода од поток, вештачко езеро или извор каде што може да се вшмукаат туѓи тела во пумпата. Цврстите тела може да влезат во доводното црево.
- Работниот простор нека биде чист и добро осветлен. Неуредниот простор или темни места се добра подлога за несреќите.
- Само за внатрешна употреба.
- Користете црева со 19 mm (3/4") BSPT женски приклучок од месинг.

- За доводното црево треба да се користи зајакнато црево за да не клипне. За најдобри резултати, користете црево со мала должина, а со голем дијаметар, како на пример градинарско црево од 183 cm (6') должина, 19 mm (3/4") внатрешен дијаметар. Подолгите или потенките црева може да ги намалат работата и брзината на проток.
- Како одводно црево може да се користи обично градинарско црево.

СПЕЦИФИЦИРАНИ УСЛОВИ НА УПОТРЕБА

Пумпата е наменета за примена, како на пример празнење бојлери, резервоари и др. Пумпата не е водоотпорна или отпорна на атмосферски влијанија и не е за надворешна употреба или внатрешни тушеви, сауни или други потенцијално влажни места.

Пумпата е оценувана само за работа со чиста вода. Таа не е дизајнирана за ракување со солена вода, расолница, отпадна вода од перењето алишта или друга примена којашто може да содржи нагривувачки хемикалии и/или туѓ материјал. Пумпата не е погодна за користење со водниот свет.

Монтажа и приклучување на напојување

БАТЕРИИ

Батериите кои не биле користени подолго време треба да се наполнат пред употреба.

Температура повисока од 50°C (122°F) го намалуваат траењето на батериите. Избегнувајте подолго изложување на батериите на високи температури или сонце (ризик од прегревање).

Клемите на полначот и батериите мора да бидат чисти.

За оптимален работен век батериите мора да се наполнат целосно по употреба. Батериите кои не биле користени подолго време треба да се наполнат пред употреба.

За можно подолг век на траење, апаратите после нивното полнење треба да бидат извадени од апаратот за полнење на батериите.

Во случај на складирање на батеријата подолго од 30 дена: Акумулаторот да се чува на температура од приближно 27°C и на суво место. Акумулаторот да се складира на приближно 30%-50% од состојбата на наполнетост., Акумулаторот повторно да се наполни на секои 6 месеци.

Не ги оставајте искористените батериии во домашниот отпад и не горете ги. Дистрибутерите на Милвоки ги собираат старите батериии, со што ја штитат нашата околина.

Не ги чувајте батериите заедно со метални предмети (ризик од краток спој).

Користете исклучиво Систем M18 за полнење на батериии од M18 систем. Не користете батериии од друг систем.

Не ги отворајте насилно батериите и полначите, и чувајте ги само на суво место. Чувајте ги постојано суви.

Киселината од оштетените батериите може да истече при екстреман напон или температури. Доколку дојдете во контакт со исатата, измијте се веднаш со сапун и вода. Во случај на контакт со очите плакнете ги убаво најмалку 10 минути и задолжително одете на лекар.

Метални парчиња не смеат да навлезат во делот за полнење на батерија (ризик од краток спој).

ЗАШТИТА ОД ПРЕОПТЕРЕТУВАЊЕ НА БАТЕРИЈАТА

Во случај на преоптоварување на батериите поради огромно висока потрошувачка на електрична енергија, на пр.



екстремно висок број на вртежни моменти, заглавување на оперативната алатка, неочекувано сопирање или краток спој, електричната алатка прекинува со работа и по 2 секунди автоматски се исклучува.

За повторно вклучување ослободете го притискачот на прекинувачот, а потоа повторно вклучете.

Во случај на екстремни оптоварувања батеријата може да загрее многу. Во таков случај батеријата исклучува.

Тогаш ставете ја батеријата во уредот за полнење за повторно да ја напоните и активирате.

ТРАНСПОРТ НА ЛИТИУМ-ЈОНСКИ БАТЕРИИ

Литиум-јонските батерии подлежат на законските одредби за транспорт на опасни материи.

Транспортот на овие батерии мора да се врши согласно локалните, националните и меѓународните прописи и одредби.

Потрошувачите на овие батерии може да вршат непречен патен транспорт на истите.

Комерцијалниот транспорт на литиум-јонски батерии од страна на шпедитерски претпријатија подлежат на одредбите за транспорт на опасни материи. Подготовките за шпедиција и транспорт треба да ги вршат исклучиво соодветно обучени лица. Целокупниот процес треба да биде стручно надгледуван.

При транспортот на батерии треба да се внимава на следното:

Осигурајте се дека контактите се заштитени и изолирани, а сето тоа со цел да се избегнат кратки споеви. Внимавајте да не дојде до изместување на батериите во нивната амбалажа. Забранет е транспорт на оштетени или протечени литиум-јонски батерии. За понатамошни инструкции обратете се до Вашето шпедитерско претпријатие.

ОДРЖУВАЊЕ

Одржувајте ги пумпата и дополнителната опрема. Проверете дали подвижните делови се ускладени, дали се споени, да не има скршени делови или какви било други услови кои би можеле да влијаат врз работата на пумпата. Ако се оштети, поправете ја пред употреба. Поради лошо одржувана пумпа може да дојде до несреќи.

- Извадете го батерискиот склоп пред отпочнување на каков и да е зафат врз машината. Испуштете го притисокот во системот пред да сервисирате некој дел.
- Испуштете ги сите течности од системот пред сервисирање.
- Повремено проверете ја пумпата и деловите на системот, проверувајќи за слаби и/или изабени црева. Проверете го импелерот за изабеност или блокада. Проверете дали сите приклучоци се добро прицврстени.
- Кога ја сервисирате пумпата, користете само идентични резервни делови. Следете ги упатствата во делот „Одржување“ од прирачникот. Користењето неовластени делови или непочитување на упатствата за одржување може да создаде ризик од струен удар или повреда и може да ја поништи гаранцијата.
- Немојте да ја менувате или поправете пумпата или батериското пакување освен како што е наведено во упатствата за употреба и грижа.
- Чистење и одржување на апаратот не смее да вршат деца без соодветен надзор.

Апаратот употребувајте го исклучиво во исправна состојба.

Поправките треба да ги прави само квалификуван персонал користејќи оригинални резервни делови, во спротивно може да дојде до значителна опасност за корисникот.

Апаратот и заштитната направа очистете ја со сува крпа.

Некои средства за чистење ја оштетуваат пластиката или други изолирани делови.

Редовно одржување и чистење обезбедува долг век и безбедно ракување.

Обавезно е потребно придржување кон одржувањето и интервали-те на одржување.

Да се изведуваат само постапките на одржување кои што се опишани во упатството за употреба.

Користете само Milwaukee додатоци и резервни делови.

Доколку некои од компонентите кои не се опишани треба да бидат заменети, Ве молиме контактирајте ги сервисните агенти на Milwaukee (консултирајте ја листата на адреси).

Доколку е потребно можно е да биде набавен детален приказ на алатот. Ве молиме наведете го бројот на артиклот како и типот на машина кој е отпечатан на етикетата и порачајте ја скицата кај локалниот застапник или директно кај: Techtronic Industries GmbH, Max-Eyth-Straße 10, 71364 Winnenden, Germany.



РЕШАВАЊЕ ПРОБЛЕМИ

ПРОБЛЕМ	ПРИЧИНА	ПОПРАВКА
Пумпата не работи.	Импелерот е блокиран.	Види „Замена/Прочистување на импелерот“
Брзината на проток е многу мала.	Доводното/Одводното црево е запушено или оштетено. Доводната врска не е затворена херметички. Капакот на импелерот не е добро затегнат. Импелерот е изабен.	Заменете го доводното/одводното црево. Проверете ги цревата за блокади, свиткувања или извитувања. Отстранете ги блокадите. Затегнете ја доводната врска, додавајќи тefлон лента или дихтунг ако е потребно. Рачно затегнете ги четирите (4) завртки. Видете „Замена/Прочистување на импелерот“
Исклучување на пумпата.	Исклучување на пумпата поради работа насуво. Заклучен импелер. Батеријата е инсталирана кога е вклучена пумпата.	Најдете решение за ситуацијата, потоа исклучете го алатот па повторно вклучете го за да ресетирате.
Исклучување поради прекумерна температура	Блокирано одводно црево. Одводното црево е многу високо. Одводното црево е многу долго. Пумпата е ВКЛУЧЕНА многу долго време.	Оставете ја пумпата да се излади. Најдете решение за ситуацијата, потоа исклучете го алатот па повторно вклучете го за да ресетирате.

СИМБОЛИ



ВНИМАНИЕ! ПРЕДУПРЕДУВАЊЕ! ОПАСНОСТ!



Ве молиме пред да ја стартувате машината обрнете внимание на упатствата за употреба.



Носте штитник за уши.



Секогаш при користење на машината носете ракавици.



Не е наменето за запаливи или нагривувачки хемиски течности.



Макс. температура на течноста за пренос не смее да надминува 60 °C (140 °F).



Внимание! Не многу силно и не затегајте со клешти.



Не е отпорно на мраз



Макс. континуирано време на работа 1 час.



Кога пумпата работи, набљудувачите, децата и посетителите треба да бидат на одредено растојание.



Овој алат е исклучиво за внатрешна употреба. Никогаш не го изложувајте алатот на дожд.



Издадете го батерискиот склоп пред отпочнување на каков и да е зафат врз машината.



Резервен дел - Не е вклучен во стандардната опрема, достапен како резервен дел.



Електричните апарати и батериите што се полнат не смеат да се фрлат заедно со домашниот отпад. Електричните апарати и батериите треба да се собираат одделно и да се однесат во соодветниот погон заради нивно фрлање во склад со начелата за заштита на околината. Информирајте се кај Вашите местни служби или кај специјализираниот трговски претставник, каде има такви погони за рециклажа и собирни станици.

V

Напон



Истосмерна струја



Европска ознака за сообразност



Украинска ознака за сообразност

001



Евроазиска ознака за сообразност



ТЕХНІЧНІ ХАРАКТЕРИСТИКИ Компактний насос для перекачування	M18 ВТР
Номер виробу	4742 30 01 000001-999999
Напруга змінної акумуляторної батареї	18 V
Клас захисту	IPX4
Швидкість потоку макс.	30,3 l/min
Висота напору макс.	23 m
Висота підйому макс.	5,5 m
Температура води макс.	60 °C
Температура повітря макс.	40 °C
Фітинг насоса	13 mm (1/2") NPT зовнішня різьба 19 mm (3/4") BSPT зовнішня різьба
(Шланг)	19 mm (3/4") BSPT внутрішнє різьблення
Тривалість безперервної роботи макс.	1 h
Вага без змінної акумуляторної батареї	3,4 kg
Вага згідно з процедурою EPTA 01/2014 (Li-Ion 2,0 Ah ... 12,0 Ah)	4,0 kg..., 5,1 kg
Рекомендовані акумулятори	M18B...M18NB
Рекомендовані зарядні пристрої	M12-18...; M1418C6



⚠ ПОПЕРЕДЖЕННЯ Ознайомтеся з усіма вказівками щодо техніки безпеки, інструкціями, ілюстраціями та відомостями, що було надано разом із приладом. Недотримання наведених далі інструкцій може спричинити ураження електричним струмом, пожежу та/або тяжкі травми. **Зберігайте всі вказівки з техніки безпеки та інструкції на майбутнє.**

⚠ ІНСТРУКЦІЇ З ТЕХНІКИ БЕЗПЕКИ ДЛЯ НАСОСІВ

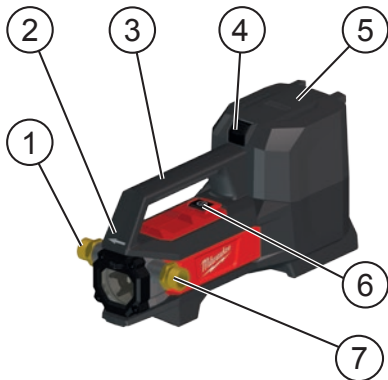
- Не встановлюйте насос під водою або у вологих місцях. Установлюйте насос лише в сухих місцях.
- У жодному разі не дивіться на світло. НЕ підключайте трубопровід до насоса.
- Не перекачайте займисті або вибухонебезпечні рідини, наприклад бензин, мазут, керосин тощо. Не використовувати пристрій в приміщеннях з вибухонебезпечною атмосферою.
- Не перекачайте воду з температурою понад 60 °C (140 °F). Не перекачайте воду з включеннями піску, твердих часток або великого сміття. Це призведе до пошкодження насоса.
- Насос не повинен працювати без рідини довше 10 секунд. Після завершення роботи швидко вимкніть насос. Перед установкою чи обслуговуванням насоса завжди виймайте акумуляторну батарею.
- Не залишайте працюючий насос без нагляду. Ігнорування цього попередження може призвести до травмування та/або смерті.
- Перед установкою чи обслуговуванням насоса завжди виймайте акумуляторну батарею. У жодному разі не торкайтеся насоса вологими руками, або коли ви стоїте на мокрій чи вологій поверхні або у воді. Існує ризик смертельного ураження електричним струмом.
- Перед запуском насоса закріпіть зливний шланг. Незакріплений шланг може вдарили оператора. Це може призвести до травмування та/або смерті.

- Не використовуйте насос, якщо ви не можете увімкнути та вимкнути його за допомогою вимикача. Будь-який насос, яким не можна керувати за допомогою вимикача, є небезпечним і підлягає ремонту.
- Не використовуйте насос у вибухонебезпечній атмосфері, наприклад, у присутності легкозаймистих рідин, газів або пилу. Двигуни є джерелом іскор, які здатні спричинити займання пилу.
- Одягайтеся належним чином. Не носіть просторий одяг та прикраси. Тримайте волосся, одяг та рукавиці на безпечній відстані від рухомих частин обладнання. Для утримання довгого волосся надягайте захисну шапочку. Вільний одяг, прикраси або довге волосся можуть потрапити в рухомі частини.
- Не нахиляйтеся занадто сильно вперед або вбік і завжди зберігайте рівновагу. Зберігання рівноваги та стійкого положення на ногах забезпечує кращий контроль у несподіваних ситуаціях.

Цей прилад не призначений для використання особами (в тому числі дітьми) з обмеженими фізичними, сенсорними або інтелектуальними можливостями або недостатнім досвідом або професійними знаннями, за винятком випадків, коли вони відповідно проінструктовані особою, відповідальною за їх безпеку, або знаходяться під її наглядом. Крім того, за дітьми необхідно спостерігати, щоб переконатися, що вони не граються з приладом.

Дітям не можна гратися з приладом.

Чищення та технічне обслуговування, що виконуються користувачем, не можна довіряти дітям без нагляду.



- ① Випуск
- ② Індикатор напрямку потоку
- ③ Ручка
- ④ Кнопка акумуляторного відсіку
- ⑤ Акумуляторний відсік
- ⑥ Кнопка увімкнення/вимкнення
- ⑦ Впуск



UKP

ДОДАТКОВІ ІНСТРУКЦІЇ З ТЕХНІКИ БЕЗПЕКИ ТА ЕКСПЛУАТАЦІЇ

- Насос не придатний для перекачування питної води або інших питних рідин.
- Перед налаштуванням, заміною приладдя або зберіганням насоса завжди виймайте акумуляторну батарею. Такі запобіжні заходи знижують ризик випадкового запуску пристрою.
- Ручки та захватні поверхні повинні бути сухими, чистими та не забрудненими маслом і мастилом. Слизькі ручки та захватні поверхні не дозволяють безпечно експлуатувати насос і контролювати його в несподіваних ситуаціях.
- Під час роботи насоса тримайте сторонніх осіб, дітей та відвідувачів на безпечній відстані. Відволікання призводить до помилок.
- Під час експлуатації насоса будьте пильними, слідкуйте за виконуваними операціями та керуйтеся здоровим глуздом. Не намагайтеся експлуатувати насос, якщо ви втомлені або перебуваєте під впливом наркотичних речовин, алкоголю або медичних препаратів. Секундна неухважність може призвести до серйозних травм.
- Використовуйте захисне спорядження. Завжди носіть засоби захисту очей. У відповідних умовах необхідно використовувати пілозахисну маску, захисне взуття, що не ковзає, та захисну каску.
- Ознайомившись із роботою інструментів у результаті їх частого використання, не дозволяйте собі недбало ставитися до експлуатації та ігнорувати правила техніки безпеки. Недбалість може спричинити серйозні травми всього лише за частку секунди.
- Не відкачайте воду зі струмка, ставка чи іншої водойми, якщо це може призвести до всмоктування сторонніх об'єктів у насос. Тверді частки можуть потрапити у впускний шланг.
- Підтримуйте належне освітлення та чистоту на робочому місці. Захаращення простору чи неналежне освітлення

підвищують ризик нещасних випадків.

- Нанос призначено для використання лише в приміщенні.
- Використовуйте шланги з латунним фітінгом, що має внутрішню нарізку BSPT 19 мм (3/4 дюйми).
- Впускний шланг повинен бути достатньо міцним і стійким до руйнування. Для досягнення найкращих результатів використовуйте короткий шланг великого діаметра, наприклад садовий шланг довжиною 183 см (6 футів) і діаметром 19 мм (3/4 дюйми). Більша довжина або менший діаметр шлангів можуть знизити продуктивність і швидкість потоку.
- У якості випускного шлангу можна використовувати звичайний садовий шланг.

ВИКОРИСТАННЯ ЗА ПРИЗНАЧЕННЯМ

Цей насос призначено, наприклад, для спорожнення водонагрівачів, баків тощо. Насос не є водонепроникним, він не захищений від атмосферного впливу та не призначений для використання на відкритому повітрі або в душових кімнатах, саунах або інших місцях із потенційно високою вологістю.

Оцінку насоса було виконано лише для роботи з чистою водою. Його не призначено для перекачування солонної води, сольового розчину, зливної води з пральних машин або будь-якої іншої рідини, яка може містити їдкі хімічні речовини та/або сторонні домішки. Насос не призначено для використання в роботі з гідробіонтами.

Збірка та підключення до джерела живлення

АКУМУЛЯТОРНІ БАТАРЕЇ

Знімну акумуляторну батарею, що не використовувалася тривалий час, перед використанням необхідно підзарядити.

Температура понад 50 °C зменшує потужність знімної акумуляторної батареї. Уникати тривалого нагрівання сонячними променями або системою обігріву.

З'єднувальні контакти зарядного пристрою та знімної акумуляторної батареї повинні бути чистими.

Для забезпечення оптимального строку експлуатації акумуляторні батареї після використання необхідно повністю зарядити. Знімну акумуляторну батарею, що не використовувалася тривалий час, перед використанням необхідно підзарядити.

Для забезпечення максимально можливого терміну експлуатації акумуляторні батареї після зарядки необхідно виймати з зарядного пристрою.

При зберіганні акумуляторної батареї понад 30 днів: Зберігати акумуляторну батарею при температурі приблизно 27 °C в сухому місці. Зберігати акумуляторну батарею в стані зарядки приблизно 30-50 %, кожні 6 місяців заново заряджати акумуляторну батарею.

Відпрацьовані знімної акумуляторні батареї не можна кидати у вогонь або викидати з побутовими відходами. Milwaukee пропонує утилізацію старих знімних акумуляторних батарей, безпечно для довкілля; зверніться до свого дилера.

Не зберігати знімної акумуляторні батареї разом з металевими предметами (небезпека короткого замикання).

Знімної акумуляторні батареї системи M18 заряджати лише зарядними пристроями системи M18. Не заряджати акумуляторні батареї інших систем.

Не відкривати знімної акумуляторні батареї зарядні пристрої та зберігати їх лише в сухих приміщеннях. Берегти від вологи.

Українська

При екстремальному навантаженні або при екстремальній температурі з пошкоджені змінної акумуляторної батареї може витікати електроліт. При потрапінні електроліту на шкіру його негайно необхідно змити водою з милом. При потрапінні в очі їх необхідно негайно ретельно промити, щонайменше 10 хвилин, та негайно звернутися до лікаря. В гніздо зарядного пристрою, яке призначене для встановлення змінної акумуляторної батареї, не повинні потрапляти металеві деталі (небезпека короткого замикання).

ЗАХИСТ АКУМУЛЯТОРНОЇ БАТАРЕЇ ВІД ПЕРЕВАНТАЖЕННЯ

При перевантаженні акумуляторної батареї внаслідок занадто високого споживання струму, наприклад, занадто високий крутильний момент, заклинювання вставного інструмента, раптова зупинка або коротке замикання, електроінструмент зупиняється на протязі 2 секунд та самостійно вимикається. Для повторного увімкнення відпустити кнопку вимикача і знов увімкнути.

При надзвичайному навантаженні акумуляторна батарея може дуже сильно нагрітися. В такому випадку акумуляторна батарея вимикається.

Вставити акумуляторну батарею в зарядний пристрій, щоб знову зарядити та активувати її.

ТРАНСПОРТУВАННЯ ЛІТІЙ-ІОННИХ АКУМУЛЯТОРНИХ БАТАРЕЙ

Літій-іонні акумуляторні батареї підпадають під законоположення про перевезення небезпечних вантажів.

Транспортування таких акумуляторних батарей повинно відбуватися із дотриманням місцевих, національних та міжнародних przepisів та положень.

Споживачі можуть без проблем транспортувати ці акумуляторні батареї по вулиці.

Комерційне транспортування літій-іонних акумуляторних батарей експедиторськими компаніями підпадає під положення про транспортування небезпечних вантажів. Підготовку до відправлення та транспортування можуть здійснювати виключно особи, які пройшли відповідне навчання. Весь процес повинні контролювати кваліфіковані фахівці.

При транспортуванні акумуляторних батарей необхідно дотримуватися зазначених далі пунктів:

Переконайтеся в тому, що контакти захищені та ізовані, щоб запобігти короткому замиканню. Слідкуйте за тим, щоб акумуляторна батарея не переміщувалася всередині упаковки. Пошкоджені акумуляторні батареї, або акумуляторні батареї, що потекли, не можна транспортувати. Для отримання подальших вказівок звертайтеся до своєї експедиторської компанії.

ОБСЛУГОВУВАННЯ

Підтримуйте насос і приладдя в належному стані. Виконуйте перевірку на порушення вирівнювання та заїдання рухомих деталей, пошкодження деталей та будь-які інші стани, які можуть вплинути на роботу насоса. У разі пошкодження відремонтуйте насос перед подальшим використанням. Неналежне обслуговування насоса може стати причиною нещасних випадків.

- Перед будь-якими роботами на приладді виїняти змінну акумуляторну батарею. Перед обслуговуванням будь-якого компонента повністю зніміть тиск у системі.
- Перед обслуговуванням злийте всі рідини із системи.
- Періодично оглядайте компоненти насоса та системи, перевіряючи на послаблення кріплення та/або зношення шлангів. Перевіряйте робоче колесо на зношення та блокування. Перевіряйте надійність усіх з'єднань.
- Під час обслуговування насоса використовуйте лише ідентичні запчастини. Дотримуйтеся інструкцій, наведених у розділі «Технічне обслуговування» цього посібника. Використання неналежних деталей або невиконання інструкцій із технічного обслуговування може стати причиною травмування чи ураження електричним струмом, а також може призвести до анулювання гарантії.
- Не модифікуйте конструкцію та не намагайтеся відремонтувати насос або акумуляторну батарею за винятком випадків, зазначених в інструкціях з експлуатації та догляду.
- Чищення та технічне обслуговування, що виконуються користувачем, не можна довіряти дітям без нагляду.

Використовувати прилад тільки за відсутності пошкоджень.

Ремонт повинен виконуватися тільки кваліфікованими спеціалістами з використанням оригінальних запчастин, в іншому разі обладнання може становити небезпеку для користувача.

Чистити прилад та захисний пристрій сухою серветкою.

Деякі засоби для чищення завдають шкоду полімерному матеріалу або іншим ізовольованим деталям.

Регулярне технічне обслуговування та чищення забезпечують тривалий термін експлуатації та безпеку роботу.

Обов'язково виконувати технічне обслуговування відповідно до вказаних інтервалів.

Знаходяться під напругою деталі у верхній частині пілососа.

Використовувати тільки комплектуючі та запчастини Milwaukee. Деталі, заміна яких не описується, замінювати тільки в відділі обслуговування клієнтів Milwaukee (зверніть увагу на брошуру „Гарантія / адреси сервісних центрів“).

У разі необхідності можна запросити скренення з зображенням вузлів машини в перспективному вигляді, для цього потрібно звернутися в ваш відділ обслуговування клієнтів або безпосередньо в Techtronic Industries GmbH, Max-Eyth-SträÙe 10, 71364 Winnenden, Німеччина, та вказати тип машини та шестизначний номер на фірмовій табличці з даними машини.



УКР

ПРОБЛЕМА	ПРИЧИНА	ВИПРАВЛЕННЯ
Насос не працює.	Робоче колесо заблоковано.	Див. пункт «Заміна/очищення робочого колеса»
Занадто низька швидкість потоку.	Впускну/випускні лінії засмічено або пошкоджено. У впускне з'єднання потрапляє повітря. Кришку робочого колеса закріплено нецільно. Робоче колесо зношене.	Замініть впускну/випускні лінії. Перевірте лінії на блокування, перегини або вигини. Усуньте блокування. За необхідності затягніть впускне з'єднання, використайте тefлонову ущільнювальну стрічку або встановіть прокладку. Затягніть чотири (4) гвинти кришки вручну. Див. пункт «Заміна/очищення робочого колеса»
Вимкнення насоса.	Вимикання насоса, який працює без рідини. Робоче колесо заблоковано. Акумулятор встановлено, коли насос увімкнено.	Виправте ситуацію, а потім вимкніть і знов увімкніть інструмент.
Вимкнення через перегрівання	Випускні лінії заблоковано. Випускні лінії має занадто високу температуру. Випускні лінії має занадто велику довжину. Насос увімкнено протягом занадто довгого часу.	Дайте насосу охолонути. Виправте ситуацію, а потім вимкніть і знов увімкніть інструмент.



УВАГА! ПОПЕРЕДЖЕННЯ! НЕБЕЗПЕЧНО!



Уважно прочитайте інструкцію з експлуатації перед введенням приладу в дію.



Використовувати засоби захисту органів слуху!



Під час роботи з машиною завжди носити захисні окуляри.



Пристрій не придатний для роботи з займистими чи їдкими хімічними речовинами.



Температура перекачуваної рідини не повинна перевищувати 60 °C (140 °F).



Увага! Не затягуйте занадто міцно та не перетягуйте плоскогубцями.



Пристрій не має стійкості до морозу



Максимальна тривалість безперервної роботи становить 1 годину.



Під час роботи насоса тримайте сторонніх осіб, дітей та відвідувачів на безпечній відстані.



Пристрій підходить тільки для використання в приміщеннях, не виставляти пристрій під дощ.



Перед будь-якими роботами на приладі вийняти змінну акумуляторну батарею.



Запчастина — не входить у стандартну комплектацію, надається як запчастина.



Електроприлади, батареї/акумулятори заборонено утилізувати разом з побутовим сміттям. Електричні прилади і акумулятори слід збирати окремо і здавати в спеціалізовану компанію для утилізації відповідно до норм охорони довкілля. Зверніться до місцевих органів або до вашого дилера, щоб отримати адреси пунктів вторинної переробки та пунктів прийому.



Напруга



Постійний струм



Європейський знак відповідності



Український знак відповідності



Євроазіатський знак відповідності

تنبيه! تحذير! خطر!



يرجى قراءة التعليمات بعناية قبل بدء تشغيل الجهاز.



ارتد واقيات الأذن!



ارتد دائماً نظارات الوقاية عند استخدام الجهاز.



غير مخصصة للسوائل القابلة للاشتعال أو المواد الكيميائية الكاوية.



يجب ألا يزيد الحد الأقصى لدرجة حرارة السائل الذي يمكن نقله عن 60 درجة مئوية (140 درجة فهرنهايت).



تنبيه! تجنب استخدام الزردية بقوة أو إحكام أكثر من اللازم.



غير مقاومة لتكوّن الصقيع



الحد الأقصى لوقت التشغيل المستمر هو ساعة واحدة.



يلزم إبقاء المتفرجين، والأطفال، والزوّار بعيداً أثناء تشغيل المضخة.



هذه الأداة مناسبة للاستخدام الداخلي فقط. لا تُعرض الآلة للمطر مطلقاً.



انزع البطارية قبل التعامل مع الجهاز.



قطعة الغيار - ليست مشمولة في المعدات الأساسية، وهي متوفرة كقطعة غيار.



يحظر التخلص من الأجهزة الكهربائية والبطاريات/البطاريات القابلة للشحن في القمامة المنزلية. يجب جمع الأجهزة الكهربائية والبطاريات القابلة للشحن



منفصلة وتسليمها للتخلص منها بشكل لا يضر بالبيئة لدى شركة إعادة الاستغلال. الرجاء الاستفسار لدى الهيئات المحلية أو لدى التجار المتخصصين عن مواقع إعادة الاستغلال ومواقع الجمع.

الجهد الكهربى

V

التيار المستمر



علامة التوافق الأوروبية



علامة التوافق الأوكرانية



علامة التوافق الأوروبية الآسيوية



نقل بطاريات الليثيوم

عند الحاجة يمكن طلب رمز انفجار الجهاز بعد ذكر طراز الألة والرقم السداسي المذكور على بطاقة طاقة الآلة لدى جهة خدمة العملاء أو مباشرة لدى شركة

Techtronic Industries GmbH
Max-Eyth-Straße 10, 71364 Winnenden
المانييا

تخضع بطاريات الليثيوم أيون لشروط قوانين نقل السلع الخطرة.

ويجب نقل هذه البطاريات وفقاً للأحكام والقوانين المحلية والوطنية والدولية.

يمكن للمستخدم نقل البطاريات برأ دون الخضوع لشروط أخرى.

يخضع النقل التجاري لبطاريات الليثيوم أيون عن طريق الغير إلى قوانين نقل السلع الخطرة. يتعين أن يقوم أفراد مدربون جيداً بالإعداد لعملية النقل والقيام بها بصحبة خبراء مثلهم.

متى تُنقل البطاريات::

عند التأكد من حماية أطراف توصيل البطارية وعزلها تجنباً لحدوث قصر بالدائرة. عند التأكد من حماية حزمة البطارية من الحركة داخل صندوق التعبئة. يُرجى عدم نقل البطاريات التي بها تشققات أو تسربات. يُرجى البحث مع شركة الشحن عن نصيحة أخرى

الصيانة

حافظ على المضخة وملحقاتها. تحقق بحثاً عن المحاذاة الخاطئة أو تقييد القطع المتحركة، أو وجود كسور في أي من القطع، وأي حالة أخرى قد تؤثر على تشغيل المضخة. إذا تعرضت المضخة للتلف، فاطلب إصلاحها قبل الاستخدام. فقد تقع الحوادث نتيجة لسوء صيانة المضخة.

- انزع البطارية قبل التعامل مع الجهاز. حرّر كل الضغط داخل الجهاز قبل إجراء الصيانة لأي عنصر.
- قم بتصريف جميع السوائل من الجهاز قبل صيانتها.
- افحص المضخة ومكونات الجهاز بشكل دوري، مع التحقق بحثاً عن الخراطيم الضعيفة و/أو المتآكلة. افحص الوَاز الميكانيكي بحثاً عن مواضع التآكل أو الانسداد تأكد من تثبيت جميع التوصيلات.

عند صيانة المضخة، لا تستخدم سوى قطع الغيار المطابقة. اتبع الإجراءات الواردة في قسم الصيانة بهذا الدليل. قد يؤدي استخدام القطع غير المرخصة أو عدم اتباع إرشادات الصيانة إلى تشكل خطر التعرض لصدمة كهربائية أو حدوث إصابة وقد يتسبب في بطلان الضمان.

- تجنب تعديل أو محاولة إصلاح المضخة أو حزمة البطارية إلا بالشكل الموضح في إرشادات الاستخدام والعناية.
- لا يُسمح للأطفال بتنظيف الجهاز أو صيانتها دون إشراف.

استخدم الجهاز إذا كان في حالة ممتازة فقط. لا ينبغي إجراء إصلاحات إلا بواسطة أشخاص مؤهلين باستخدام قطع غيار أصلية، وإلا فقد يُشكل عدم القيام بذلك خطراً كبيراً على المستخدم.

نظف الجهاز وحاجب الحماية بقطعة جافة. بعض مواد التنظيف تؤدي إلى ضرر بالبلاستيك أو الأجزاء المعزولة.

الصيانة الدورية المنتظمة والتنظيف يضمنان العمر الطويل والاستخدام الآمن للجهاز.

يُعد الامتثال لعمل خدمة محدد وفترات الخدمة أمراً لازماً. يلزم أداء أعمال الصيانة المذكورة فقط في دليل الاستخدام استخدم فقط ملحقات ميلوكي وكذلك قطع غيار ميلوكي. إذا كانت المكونات التي يجب تغييرها غير مذكورة، يرجى الاتصال بأحد عملاء صيانة ميلوكي (انظر قائمة عناوين الضمان/الصيانة الخاصة بنا).

استكشاف الأخطاء وإصلاحها

المشكلة	السبب	الحل
المضخة لا تعمل.	انسداد الدوّار الميكانيكي.	انظر «استبدال/تسليك الدوّار الميكانيكي»
معدل التدفق أقل من اللازم.	أنبوب الإدخال/الإخراج مسدود أو تالف. توصيلة المدخل غير محكمة. غطاء الدوّار الميكانيكي غير مُثبت بإحكام. الدوّار الميكانيكي متآكل.	استبدل أنبوب الإدخال/الإخراج. افحص الأنابيب بحثاً عن مواضع الانسداد، أو العقد، أو مواضع الانبعاج. قم بتسليك الانسداد. اربط توصيلة الإدخال بإحكام، مع إضافة شريط تفلون أو حشية إذا لزم الأمر. أحكم ربط براغي الغطاء الأربعة (4) يدوياً.
المضخة تتوقف عن التشغيل.	المضخة تتوقف عن التشغيل وهي جافة. الدوّار الميكانيكي مقفول. يتم تركيب البطارية والمضخة قيد التشغيل.	صحح الموقف، ثم أوقف تشغيل الأداة، وشغلها مرة أخرى لإعادة ضبطها.
إيقاف التشغيل عند الارتفاع المفرط في درجة الحرارة	أنبوب الإخراج مسدود. أنبوب الإدخال أعلى من اللازم. أنبوب الإخراج أطول من اللازم. يتم تشغيل المضخة لوقت أطول من اللازم.	اترك المضخة تبرد. صحح الموقف، ثم أوقف تشغيل الأداة، وشغلها مرة أخرى لإعادة ضبطها.

- ويمكن استخدام أنبوب الحديقة العادي كخرطوم إخراج.

شروط الاستخدام المحددة

تم تصميم هذه المضخة للاستخدامات مثل تفريغ سخانات المياه، والخزانات، وما شابه ذلك. هذه المضخة ليست مقاومة للمياه ولا لطرف الطقس، كما أنها غير مخصصة للاستخدام الخارجي أو داخل أماكن الاستحمام، أو غرف الساونا، أو الأماكن الأخرى التي قد تكون رطبة.

تم تقييم هذه المضخة للاستخدام مع الماء النقي فقط. وهي غير مصممة لمعالجة الماء الملح، أو المحلول الملحي، أو تصريف مياه الغسيل، أو أي استخدام آخر قد يحتوي على مواد كيميائية كاوية و/أو مواد غريبة. هذه المضخة غير مناسبة للاستخدام في الحياة المائية.

التركيب والتوصيل بمصدر الإمداد بالتيار

البطاريات

يجب إعادة شحن البطارية غير المستخدمة لفترة قبل الاستخدام.

تقلل درجات الحرارة التي تتجاوز 50° سيلزيوس (122° فهرنهايت) من أداء البطارية. تجنب التعرض الزائد للحرارة أو أشعة الشمس (خطر التسخين)..

يجب الحفاظ على محتويات الشواحن و البطاريات نظيفة.

للحصول على فترة استخدام مثالية، يجب شحن البطاريات تماماً، بعد الاستخدام. يجب إعادة شحن البطارية غير المستخدمة لفترة قبل الاستخدام.

للحصول على أطول عمر ممكن للبطارية، انزع البطارية من الشاحن بمجرد شحنها تماماً.

لتخزين البطارية أكثر من 30 يوم: خزن البطارية بحيث تكون درجة الحرارة أقل من 27° سيلزيوس وبعيداً عن أي

رطوبة خزن البطارية مشحونة بنسبة تتراوح بين 30-50 %، اشحن البطارية كالمعتاد، وذلك كل ستة أشهر من التخزين. لا تتخلص من البطاريات المستعملة مع النفايات المنزلية أو بحرقها. يقدم موزعو ميلوكي خدمة استعادة البطاريات القديمة لحماية البيئة.

لا تقم بتخزين البطارية مع الأشياء المعدنية (خطر قصر الدائرة)..

استخدم فقط شواحن System M18 لشحن بطاريات System M18 . لا تستخدم بطاريات من أنظمة أخرى.

لا تقم أبداً بفتح قفل البطارية والشواحن ولا تخزنهم إلا في غرف جافة. وحافظ عليها جاف طوال الوقت.

قد يتسرب حامض البطارية من البطاريات التالفة في ظروف الحمل الزائد بدرجة كبيرة أو في درجات الحرارة الشديدة، في حالة ملامسة حامض البطارية اغسل يديك فوراً بالماء والصابون. في حالة ملامسة السائل للعينين اشطفهما جيداً لمدة 10 دقائق على الأقل واطلب العناية الطبية فوراً.

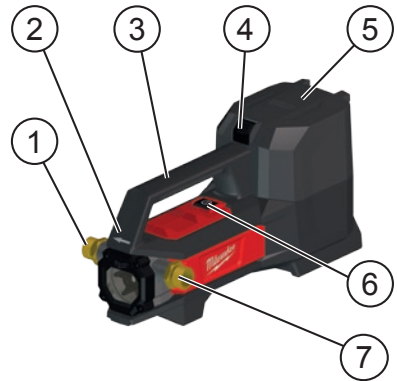
يجب تجنب دخول أي أجزاء معدنية في قسم البطارية الخاصة بالشاحن (خطر الماس الكهربائي)..

حماية البطارية

في حالة التحميل الزائد على البطارية نتيجة استهلاك طاقة كهربائية عالية جداً، على سبيل المثال عزم دوران عالي جداً، أو إنحسار الآلة المستخدمة أو التوقف المفاجئ أو حدوث ماس كهربائي تتوقف الآلة الكهربائية لمدة دقيقتين وتتوقف تلقائياً عن العمل.

إعادة الضبط، حرر الزناد.

في الظروف القصوى للعمل، قد ترتفع درجة حرارة البطارية الداخلية بشدة. إذا ما حدث ذلك، ستتوقف البطارية عن العمل. ضع البطارية على الشاحن للشحن ثم أعد ضبطها.



- ① المخرج
- ② اتجاه مؤشر التدفق
- ③ المقبض
- ④ زر حجرة البطارية
- ⑤ حجرة البطارية
- ⑥ زر التشغيل/إيقاف التشغيل
- ⑦ المدخل

إرشادات امان وعمل إضافية

- غير ملائمة لمياه الشرب أو أي سائل أخرى مخصصة للشرب.
- أزل حزمة البطارية دائماً من المضخة قبل القيام بأي تعديلات، أو تغيير الملحقات، أو تخزين الجهاز. حيث تعمل مثل تلك الإجراءات الاحترازية على تخفيف خطر تشغيل الجهاز عن غير عمد.
- حافظ على المقابض وأسطح الإمساك جافة، ونظيفة، وخالية من الزيوت والشحوم. حيث لا تسحب المقابض وأسطح الإمساك الزلقة بالتعامل الآمن والسيطرة على الأداة في المواقف غير المتوقعة.
- يلزم إبقاء المتفرجين، والأطفال، والزوار بعيداً أثناء تشغيل المضخة. حيث سيؤدي تشتيت الانتباه إلى وقوع أخطاء.
- كن متيقظاً، وراقب ما تفعل، وتحل بالعقل عند تشغيل هذه المضخة. ولا تحول تشغيل هذه المضخة وأنت تعاني من الإجهاد أو إذا كنت تحت تأثير أي نوع من المخدرات، أو المشروبات الكحولية، أو الأدوية. فمجرد لحظة غفلة قد تتسبب في وقوع إصابة شخصية بالغة.
- استخدم معدات الحماية. وارتد واقي العين دائماً. كما يلزم ارتداء القناع الواقي من الغبار، وأحذية السلامة المقاومة للانزلاق، والقبعات الصلبة في الظروف الملائمة.
- لا تدع الألفة الناتجة عن الاستخدام المتكرر للأدوات تجعلك تتصرف بالامبالاة وتجاهل مبادئ السلامة الخاصة بالأداة. فقد يتسبب تصرف مهمل في وقوع إصابة بالغة في جزء من الثانية.
- تجنب ضخ الماء من جدول، أو بحيرة، أو مصدر به أجسام غريبة قد تمصت إلى المضخة. حيث يمكن للأجسام الصلبة دخول منفذ الخرطوم.
- حافظ على نظافة منطقة العمل وقم بإضاءتها جيداً. فالمناطق المبعثرة والمظلمة تتسبب في وقوع الحوادث.
- للاستخدام الداخلي فقط.
- استخدم خراطيم الأنابيب القياسية البريطانية (BSPT) بطول 19 مم (3/4 بوصة) بتجهيزه نحاسية أنثى.
- يلزم استخدام خرطوم خدمة شاقعة كخرطوم إدخال لتجنب انهيار الخرطوم. وللحصول على أفضل النتائج، استخدم خرطومًا قصيراً بقطر كبير، مثلاً خرطوم حديقة بطول 183 سم (6 بوصة)، وقطر داخلي 19 مم (3/4 بوصة). حيث قد يتسبب استخدام خراطيم أطول أو ذات قطر أصغر في ضعف الأداء وانخفاض معدل التدفق.



M18 BTP	البيانات الفنية مضخة نقل مدمجة
4742 30 01 000001-999999	إنتاج عدد
18 V	فولطية البطارية
IPX4	فئة الحماية
30,3 l/min	معدل التدفق الحد الأقصى
23 m	ارتفاع الرأس الحد الأقصى
5,5 m	ارتفاع الرفع الحد الأقصى
60 °C	درجة حرارة الماء الحد الأقصى
40 °C	درجة حرارة الهواء الحد الأقصى
13 mm (1/2") NPT الصفحات الخارجية	تركيب المضخة (خرطوم)
19 mm (3/4") BSPT الصفحات الخارجية	
19 mm (3/4") BSPT الصفحات الداخلية	
1 h	وقت التشغيل المستمر الحد الأقصى
3,4 kg	الوزن دون البطارية
4,0 kg..., 5,1 kg	الوزن وفقاً لنهج EPTA رقم 01/2014 (Li-Ion 2,0 Ah ... 12,0 Ah)
M18B...M18HB	البطاريات المنصوح بها
M12-18...; M1418C6	جهاز الشحن المنصوح به



- لا تشغل المضخة في أجواء متفجيرية، مثلاً في وجود سوائل، أو غازات، أو غبار قابل للاشتعال. تكوّن المحركات شرراً والذي سيشتعل غبار الأذخنة.
- ارتد ملابس مناسبة. لا ترتد الملابس أو المجوهرات الفضفاضة. ارتد شريك وملابسك وقفازاتك بعيداً عن الأجزاء المتحركة. ارتد غطاءً واقياً للشعر لإحتواء الشعر الطويل. وقد تشتبك الملابس الفضفاضة، أو الخليئ، أو الشعر الطويل في القطع المتحركة.
- لا تمد يدك إلى الأجزاء البعيدة عن متناولك وحافظ على توازنك في جميع الأوقات. يُنتج التثبيت والموازنة بالشكل الصحيح التحكم بشكل أفضل في المواقف غير المتوقعة.
- هذا الجهاز غير مُعدّ للاستخدام من قِبل الأشخاص (بمن فيهم الأطفال) ذوي القدرات البدنية أو الحسية أو العقلية المحدودة، أو الأشخاص الذين تنقصهم الخبرة والمعرفة إلا بعد وضعهم تحت الإشراف أو إعطائهم تعليمات تتعلق باستخدام الجهاز من قِبل شخص مسؤول وذلك لسلامتهم. يجب مراقبة الأطفال لضمان عدم العبث بالجهاز.
- يجب الإشراف على الأطفال لضمان عدم عبثهم بالجهاز. لا يُسمح للأطفال بتنظيف الجهاز أو صيانته دون إشراف.

تحذير اقرأ جميع تعليمات السلامة والإرشادات والشروح والبيانات المرفقة مع الجهاز. قد يؤدي عدم مراعاة التعليمات المدرجة أدناه إلى التعرّض للإصابة بصدمة كهربية أو الحريق و/أو إصابة خطيرة.
احتفظ بجميع التنبيهات والتعليمات للرجوع إليها مستقبلاً.

تصاحح السلامة الخاصة بالمضخات

- لا تضع المضخة أسفل الماء أو في أماكن رطبة. ضع المضخة في أماكن جافة فقط.
- من فضلك لا تنظر إلى الضوء مباشرة. تجنب توصيل الأنابيب بالمضخة.
- تجنب ضخ السوائل القابلة للاشتعال أو الانفجار مثل البنزين، وزيت الوقود، والكبروسين، وما شابه ذلك لا تستخدم الجهاز بالغرف التي بها غازات قابلة للانفجار.
- تجنب ضخ الماء الذي تزيد درجة حرارته عن 60 درجة مئوية (140 درجة فهرنهايت). تجنب ضخ الزمال، أو الجسيمات، أو الفتات كبيرة الحجم. حيث سيستبب ذلك في تلف المضخة.
- لا تسمح بتشغيل المضخة دون وجود ماء لمدة تتجاوز 10 ثوانٍ. سارع بإيقاف تشغيل المضخة عند اكتمال المهمة. أزل حزمة البطارية دائماً قبل محاولة تركيب أو صيانة المضخة.
- لا تسمح بتشغيل المضخة دون وجود إشراف. فقد ينتج عن عدم اتباع هذا التحذير التعرّض لإصابة شخصية و/أو الوفاة.
- أزل حزمة البطارية دائماً قبل محاولة تركيب أو صيانة المضخة. لا تتعامل مع المضخة نهائياً إذا كانت يدك مبتلئين أو كنت تقف على سطح مبلل أو رطب أو في الماء. فقد يتسبب ذلك في حدوث صدمة كهربائية مميتة.
- تتّيت أنبوب التصريف قبل تشغيل المضخة. فقد يرتجع خرطوم التصريف إذا لم يكن مثبتاً. فقد ينتج عن ذلك التعرّض لإصابة شخصية و/أو الوفاة.
- تجنب استخدام المضخة إذا كان المفتاح لا يشغّلها ويوقف تشغيلها. تمثل أي مضخة لا يمكن التحكم بها باستخدام المفتاح خطراً ويلزم إصلاحها.

Copyright 2019

Techtronic Industries GmbH
Max-Eyth-Straße 10
71364 Winnenden
Germany

+49 (0) 7195-12-0



EAC

(05.19)

4931 4258 81