

EAN: 6414150078620
static.oras.com/1011F



Washbasin faucet XL with fixed spout and aerator. There are also in-built limitation options for water temperature and maximum flow-rate.

F = with flexible pipes

- Washbasin
- Single-lever
- Deck mounted
- Chrome
- Fixed spout
- Standard aerator
- Single operating lever/handle, Hot/Cold symbols
- Chain holder without chain
- Limitation option for maximum temperature and flow-rate
- \varnothing 40 mm ceramic cartridge for flow and temperature control
- Flexible inlet pipes
- 3S-installation system for safe and simple mounting

Technical data

Flow properties

Flow-rate at 300 kPa	0.18 l/s
Pressure loss with flow (0.1 l/s)	95 kPa

Technical properties

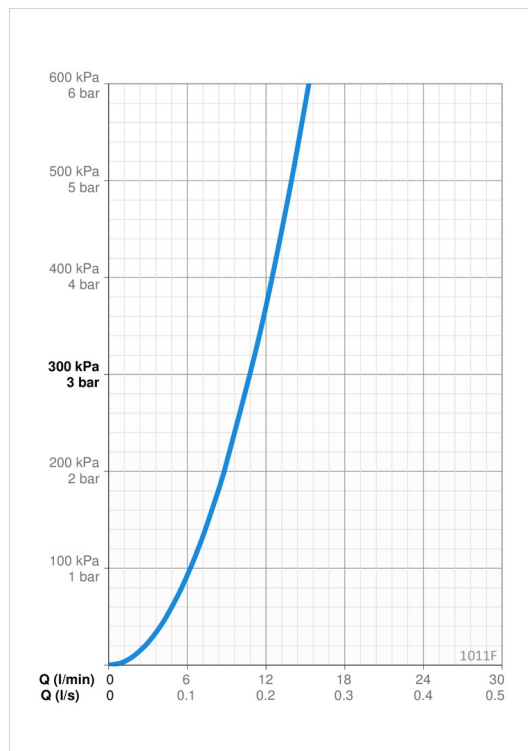
Hot water supply	max. +70°C
Working pressure	50 - 1000 kPa
Connection size	G3/8
Projection	115 mm
Backflow prevention (EN1717)	AA
Material	Brass

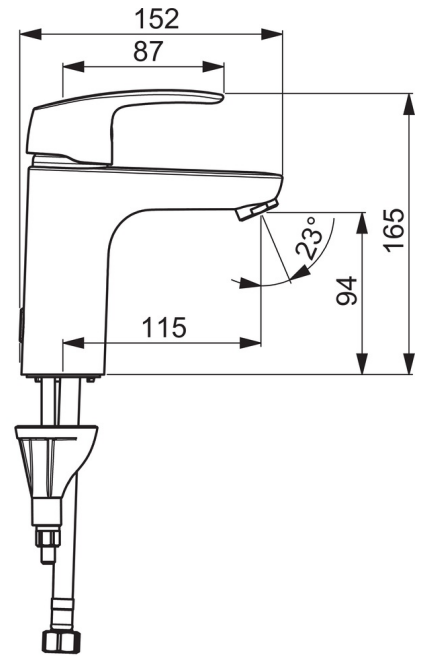
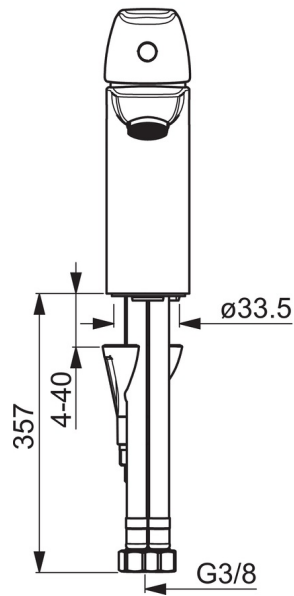
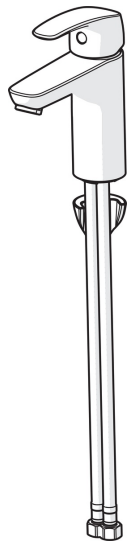
Regulations

EN standard	EN 817
Noise class	I (ISO 3822)

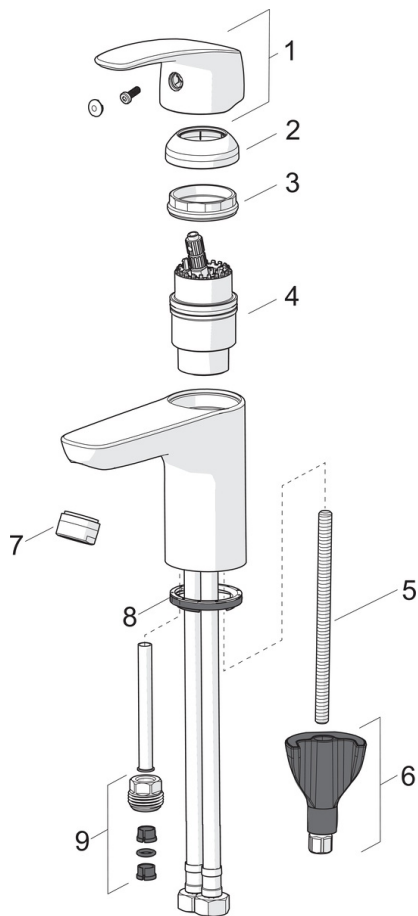
Approvals and Declarations

STF certificate	EUFI-RTH-00090-17
Sintef	Sintef Nr. 3637
KIWA SE	1490





Spare parts



SP1012F

	Name	Code
01	Lever	602502V
02	Covering cap	1000664V
03	Tightening nut	158726
04	Cartridge	158890
04	Cartridge, Green building	600979V
05	Fixing screw, M8x1, L=130	1000780V
06	Fixing set	602610V
07	Aerator, M24x1 STD HC A	232211
07	Aerator, M24x1, -105	601166V
07	Aerator, M24x1, -104	601434V
08	Bottom seal	1002371V
09	Nipple	159684
N.I.	Plug	117929/10
N.I.	Holder	1002369V