

EAN: 6414150096020
static.oras.com/2816FZ



- Washbasin
- Touchless, Bluetooth®, Battery-operated, Bidetta
- Deck mounted
- Chrome
- Fixed spout, Casted construction
- Standard aerator
- Temperature control handle
- Shower holder, Shower hose (1500 mm)
- Bidetta hand shower
- Adjustable hot water stop (included, retrofittable), Temperature preset fixable
- Mixing valve for manual temperature control, Non-return valve(s), Litter filter(s)
- Autofocus infrared sensor, Solenoid valve, Low battery indicator
- Flexible inlet pipes
- Software settings adjustable via App

Technical data

Flow properties

Flow-rate at 300 kPa (with flow controller)	0.1 l/s
Pressure loss with flow (0.1 l/s)	250 kPa

Technical properties

DN-size (nominal dimension)	DN15
Hot water supply	max. +70°C
Working pressure	50 - 1000 kPa
Connection size	G3/8
Projection	115 mm
Backflow prevention (EN1717)	HC
Material	Brass

Software settings

Afterflow period	3 s (1-20 s)
Automatic flush	off (off/1-120 h)
Automatic flush period	30 s (1-1800 s)
Max. flow period	2 min (1 - 1800 s)

Electronic properties

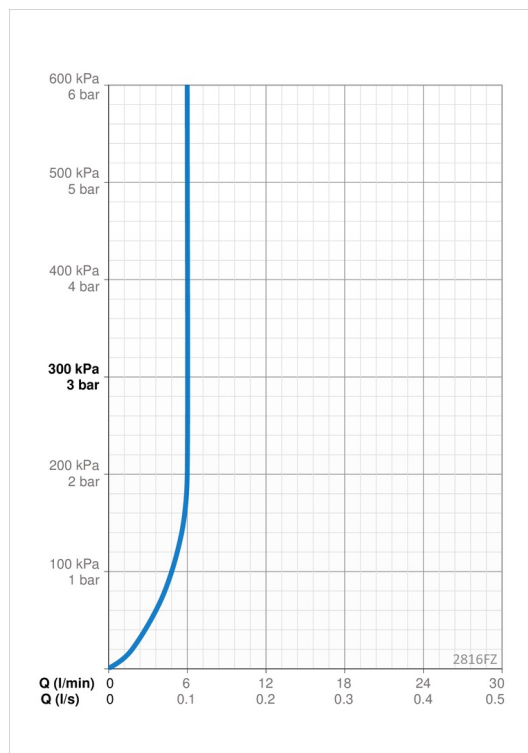
Battery	Lithium 2CR5 6 V
Bluetooth version	4.x

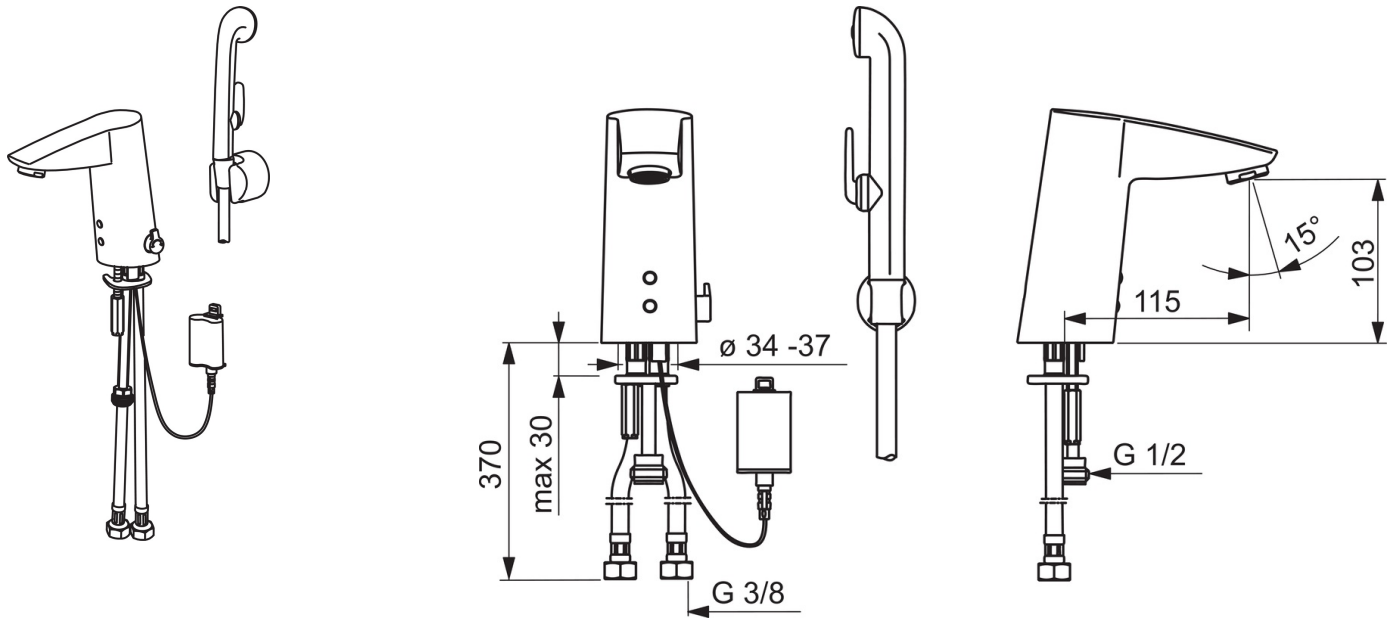
Regulations

EU Directives	C E 2014/53/EU, 2011/65/EU
EN standard	EN 15091, EN 1113
Noise class	I (ISO 3822)
Protection class	IP 55

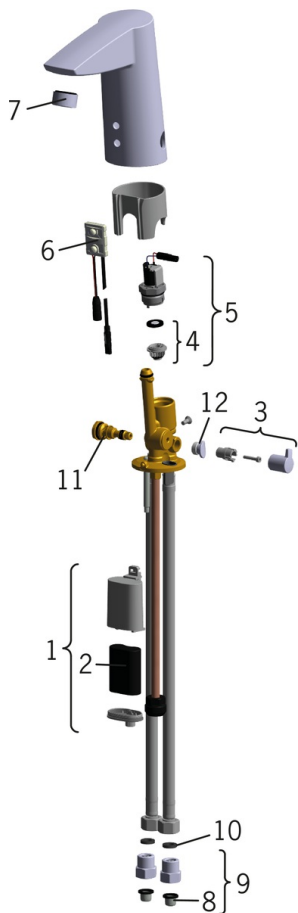
Approvals and Declarations

KIWA SE	1566
UN38.3	UN38-3 Maxell 2CR5





Spare parts



SP2816F

	Name	Code
01	Battery casing, 2CR5 6 V	199417V
02	Lithium battery, 2CR5 6 V	198330
03	Temperature control handle	600493V
04	Membrane support ring Discontinued	199205V
04	Membrane for solenoid valve	1006500V
05	Solenoid valve, 6 V	199206V
06	Sensor, 6 V	600657V
06	Sensor, 6/9/12 V Bluetooth	1001424V
07	Aerator, M24x1, -105	601166V
08	Litter filters	199257/2
09	One-way valve with litter screen	198473/2
10	Gasket, 8x14.3x2	600705/10
11	Temperature regulator	199201V
12	Cover plug	601141V
N.I.	Limiter	601061V