

EAN: 6414150097034
static.oras.com/4801F



- Washbasin
- Single-lever
- Deck mounted
- Chrome
- Fixed spout
- PCA® - constant flow rate regardless of pressure variations, Adjustable flow angle
- Single operating lever/handle, Hot/Cold symbols
- \varnothing 40 mm ceramic cartridge for flow and temperature control
- Flexible inlet pipes
- Inner body made of DZR brass
- Without pop-up waste

Technical data

Flow properties

Flow-rate at 300 kPa (with flow controller)	0.07 l/s
Pressure loss with flow (0.1 l/s)	170 kPa

Technical properties

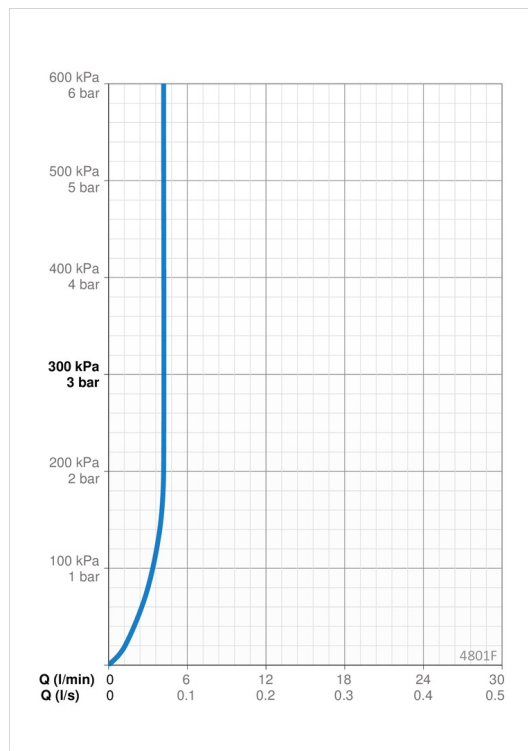
Hot water supply	max. +70°C
Working pressure	50 - 1000 kPa
Connection size	G3/8
Projection	200 mm
Backflow prevention (EN1717)	AA
Material	Brass

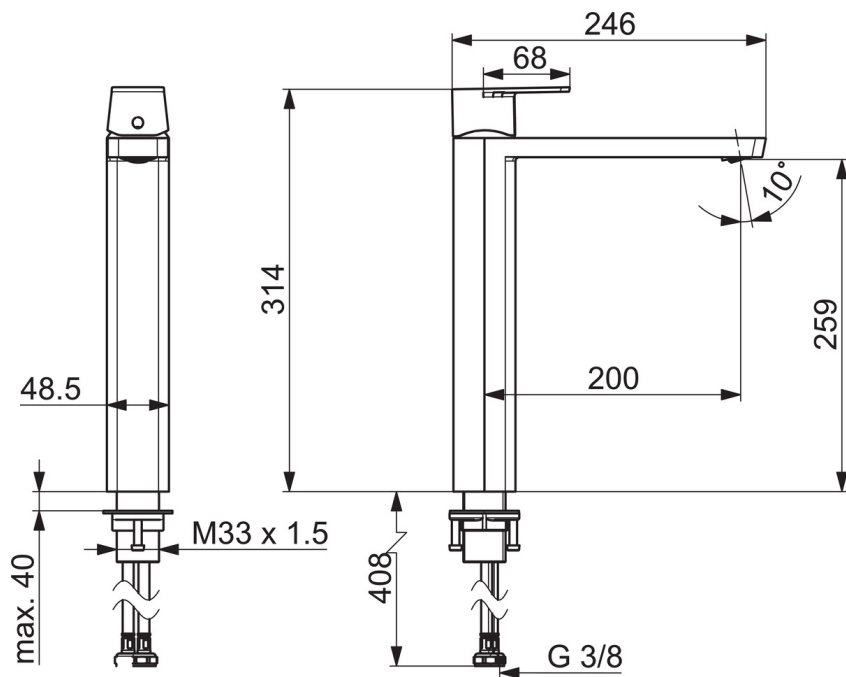
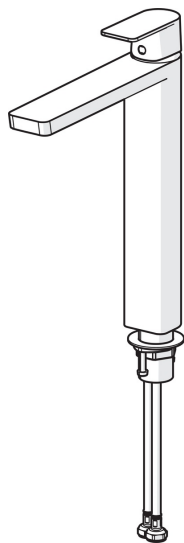
Regulations

EN standard	EN 817
Noise class	I (ISO 3822)

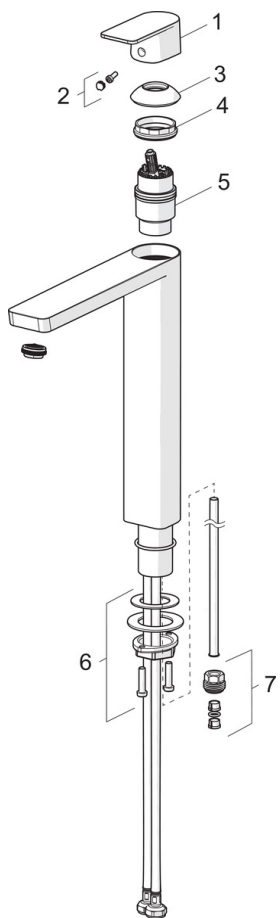
Approvals and Declarations

STF certificate	EUF129-21003824-TH
KIWA SE	1746





Spare parts



SP4802F

	Name	Code
01	Lever	1006282V
02	Symbol plug	1002323V
03	Covering cap	1001740V
04	Tightening nut	158726
05	Cartridge	158890
06	Fixing set	602629V
07	Nipple	159684