



Touchless washbasin faucet with a temperature adjustment handle (as factory default). The faucet can be easily modified for preset temperature or premixed water.

- Washbasin
- Touchless, Bluetooth®, Battery-operated
- Deck mounted
- Chrome
- Fixed spout, Casted construction
- Hidden aerator, PCA® - constant flow rate regardless of pressure variations, Adjustable flow angle
- Temperature control handle
- Adjustable hot water stop (included, retrofittable)
- Mixing valve for manual temperature control, Non-return valve(s), Litter filter(s)
- Autofocus infrared sensor, Solenoid valve, Low battery indicator
- Flexible inlet pipes
- Inner body made of DZR brass, Software settings adjustable via App, Convertible for cold or premixed-water supply
- Without pop-up waste

Technical data

Flow properties

Flow-rate at 300 kPa (with flow controller)	0.08 l/s
Pressure loss with flow (0.1 l/s)	200 kPa

Technical properties

Hot water supply	max. +70°C
Working pressure	100 - 1000 kPa
Connection size	G3/8
Projection	105 mm
Backflow prevention (EN1717)	AA
Material	Brass

Software settings

Afterflow period	3 s (1-20 s)
Automatic flush	off (off/1-120 h)
Automatic flush period	30 s (1-1800 s)
Max. flow period	2 min (1 - 1800 s)

Electronic properties

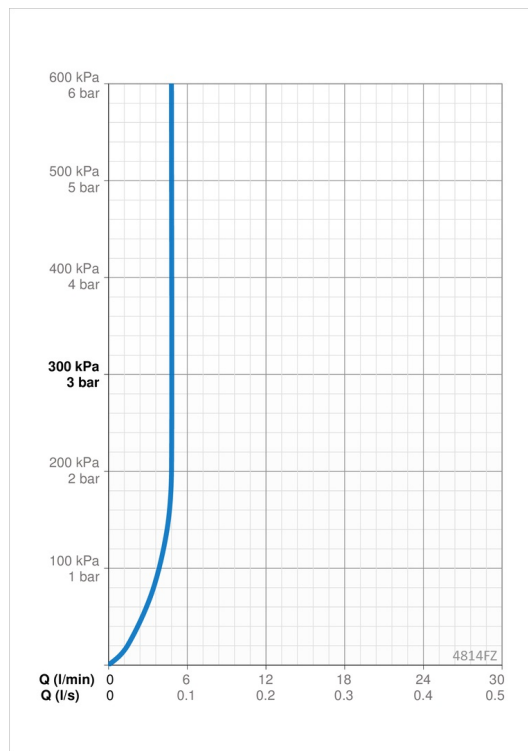
Battery	Lithium 2CR5 6 V
Bluetooth version	4.x

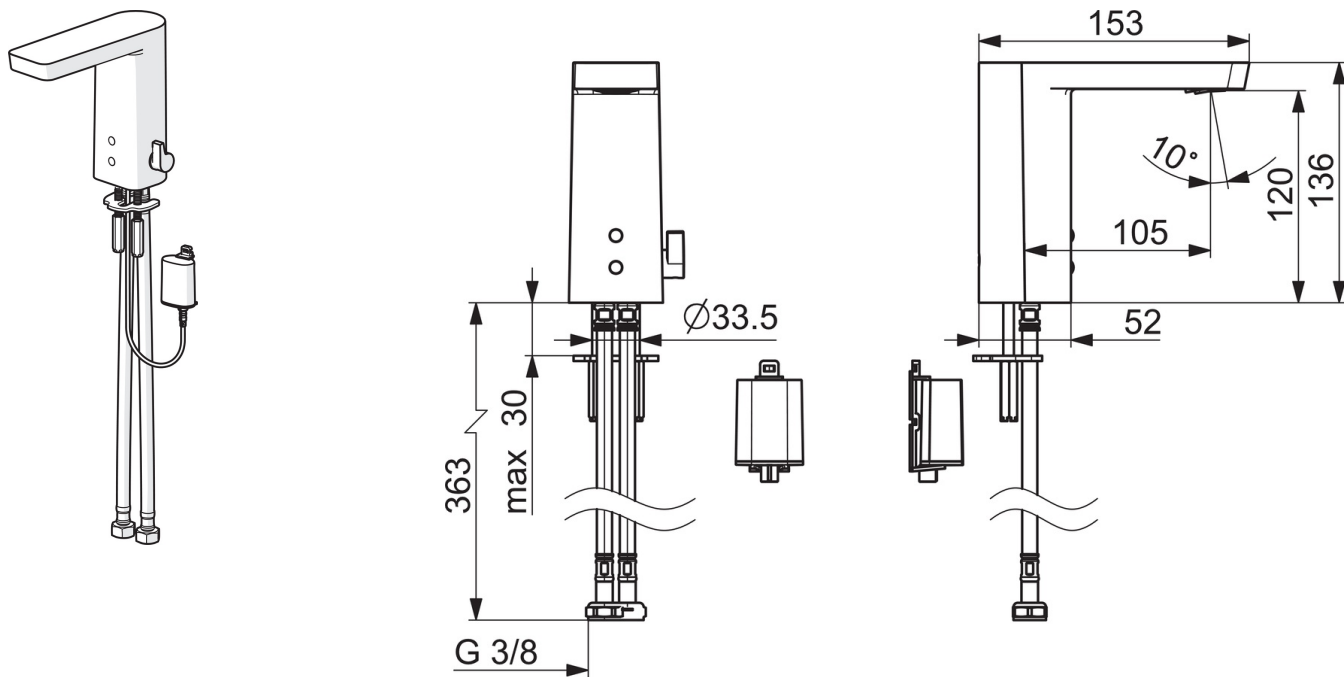
Regulations

EU Directives	C E 2014/53/EU, 2011/65/EU
EN standard	EN 15091
Noise class	I (ISO 3822)
Protection class	IP 55

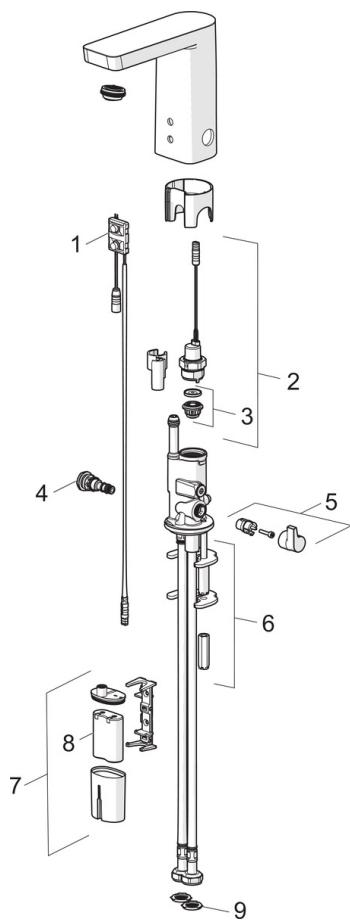
Approvals and Declarations

STF certificate	EUF129-21003824-TH
KIWA SE	1745
UN38.3	UN38-3 Maxell 2CR5





Spare parts



SP4814FZ

Name	Code
01 Sensor, 6/9/12 V Bluetooth	1001424V
02 Solenoid valve, 6 V	199206V
03 Membrane support ring Discontinued	199205V
03 Membrane for solenoid valve	1006500V
04 Temperature regulator	199201V
05 Temperature control handle	601877V
06 Fixing plates with nuts	158697
07 Battery casing, 2CR5 6 V	199417V
08 Lithium battery, 2CR5 6 V	198330
09 Filter sealing	1007900V
N.I. Limiter	601061V