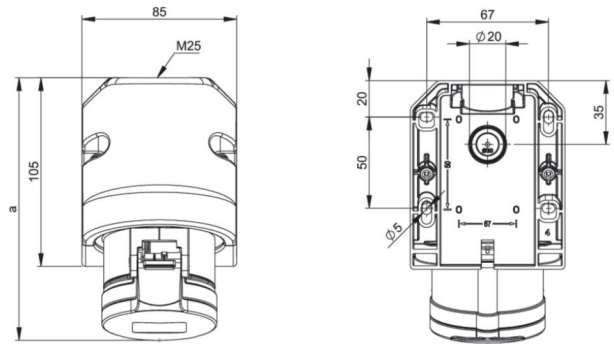


article#	125-6x
article description	CEE-wall mounted socket 32A 5p 6h IP44 black
description long	CEE-Wandsteckdose 32A 5p 6h IP44 schwarz Schraubklemme Gehäusematerial: PA6 Bauform: halbrundes Gehäuse Leitungseinführung von oben oder hinten inkl. Würfenippelkontakte: Messing blank Schutzart: IP44
GTIN (EAN)	9003399930119
country of origin	AT
customs number	85366990
net weight	0.315 kg
packaging quantity	10
minimum order quantity	10

ETIM 9.0	EC001321
Model	Surface mounted
IEC-amperage	32 A
Number of poles	5
Voltage according to EN 60309-2	400 V (50+60 Hz) red
Clock hour position	6 h
Identification colour	Red
RAL-number	9005
Degree of protection (IP)	IP44
Connection system	Screwed terminal
Cable entry	Gland nut
Material	Plastic
Contact material	CuZn
Surface treatment contacts	Untreated
Type of fastening	Inner lying mounting

a	157 mm
b	111 mm
wire flexible	2,5-6 mm ²
wire solid	2,5-10 mm ²
contact screws	110 Ncm
housing screws	110 Ncm
dismantling length	50 mm
stripping length	12-14 mm
ambient temperature	-25 – 40 °C
temperature resistance	-25 – 80 °C



b=Höhe/height
Neigung/angle=15°



<https://www.pcelectric.at/shop/en/?func=detail&artnr=125-6x>