


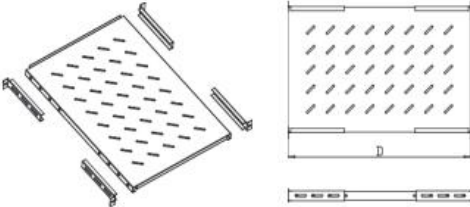
RACK SHELVES

Easy-to-install vented 19" shelf mounted with screws onto rack rails of IT equipment.




Fixed Shelf

- Four mounting ears
- depth adjustable fixed shelf.
- Material:SPCC.
- Load capacity: 120kg.
- Color:RAL9005(Black).

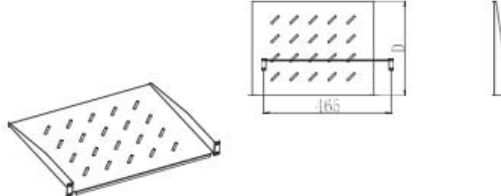


Model	Dimension W*D*H(mm)	Installation Size(mm)	Application
SWAFSHELF-350	483*350*43	465	Fixed shelf for 600mm depth 19" rack



Fixed Shelf

- Two mounting ears fixed shelf.
- Material:SPCC.
- Load capacity: 20kg.
- Color:RAL9005(Black).



Model	Dimension W*D*H(mm)	Installation Size(mm)	Application
SW2P2USHELF-350	483*350*88	465	450mm depth wall mount cabinet, 2-post open frame rack.

CABLE MANAGEMENT

For routing and binding cable on standard 19" rack, makes a complete cable mangement system when used with vertical and horizontal cable managers.

Horizontal Metal Cable Manager

- Mounts horizontally on standard 19" cabinet.
- Material:SPCC.
- Color:RAL9005(Black).



Model	Dimension W*D*H(mm)	Installation Size(mm)
SWMCABLEDUCT1U	483*42*70	465