

Technical Datasheet

LED Back-Lit Panels DPL098



Optimal choice for office and general lighting

Selection of CCT

High efficacy

Modest initial investments and appropriate payback



Technical Information

Functionality

Light source	LED
Light source CCT	3000K or 4000K
CRI	≥80
Light Output max	4200lm
Light source replaceable	NO
Optical cover	Prismatic flat plate
Luminaire light beam spread	Rotation symmetric 60°, UGR19
Power Supply	Independent, Philips Certadrive or Philips Xitanium
Dimmable	Optional - YES
Control interface	Optional - DALI

Net Weight (Piece) 2.1 / 2.4 kg

Overtime Performance

Luminous flux (system tolerance)	+/-7%
Initial System efficacy	≥ 120 lm/W
Power consumption tolerance	+/-7%
Driver service lifetime	≥ 50000 hrs @10% failures
Median useful life of LED light source	L80B10 ÷ L90B10 @50000 hrs

Environment Conditions

Ambient temperature range	+5 to +30 °C
Humidity, max	85%

General Information

Flammability	For mounting on normally flammable surfaces
Marking	CE mark
Warranty period	3 years standard warranty, extended - on request
RoHS mark	RoHS compliant

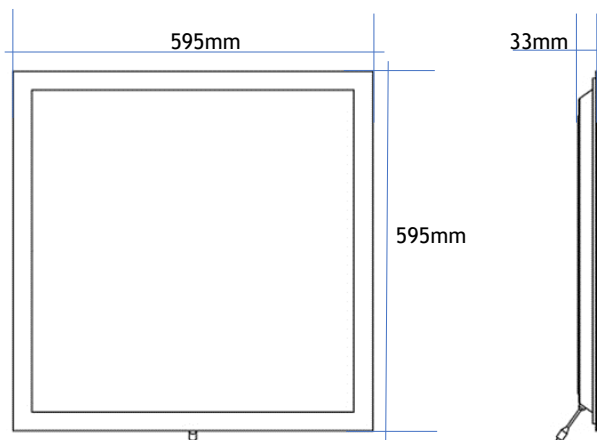
Electrical Parameters

Input Voltage Nominal	220 ... 240 VAC
Input Voltage Range	198 ... 264 VAC
Input Frequency	50 / 60 Hz
Power Consumption max	36 W
Electrical Safety Class	II, SELV
Power Factor (Min)	0.95
Driver Efficiency	0.89
LED current ripple LF	<5% ("flicker free" light output)

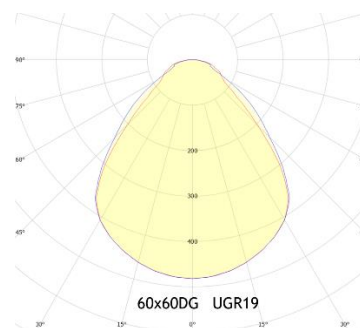
Mechanical Parameters

Housing Material	Metal, polystyrene
Diffuser material	UV stabilized polystyrene
Body color	white
Dimensions w/o driver LxWxH, mm	595x595x33 (6060)
Ingress protection code	Panel - IP40 /Driver - IP20
Mechanical impact resistance code	IK02
Installation	Surface mounted or suspended

DIMENSIONS



LIGHT DISTRIBUTION



Standard Products List

CODE	DESCRIPTION	LM	W	LM/W	UGR	CRI	CCT
700151455300	DPL098 BL6060 LED4200LM 35W 840 MP PS	4200	35	120	19	80	4000
700151455301	DPL098 BL6060 LED3750LM 31W 840 MP PS	3750	31	121	19	80	4000
700151455302	DPL098 BL6060 LED3300LM 27W 840 MP PS	3300	27	122	19	80	4000
700151455306	DPL098 BL6060 LED4200LM 35W 830 MP PS	4200	35	120	19	80	3000
700151455307	DPL098 BL6060 LED3750LM 31W 830 MP PS	3750	31	121	19	80	3000
700151455308	DPL098 BL6060 LED3300LM 27W 830 MP PS	3300	27	122	19	80	3000

DALI & Emergency options on request