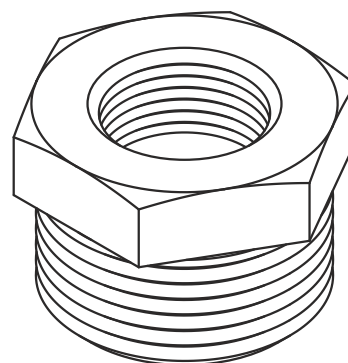
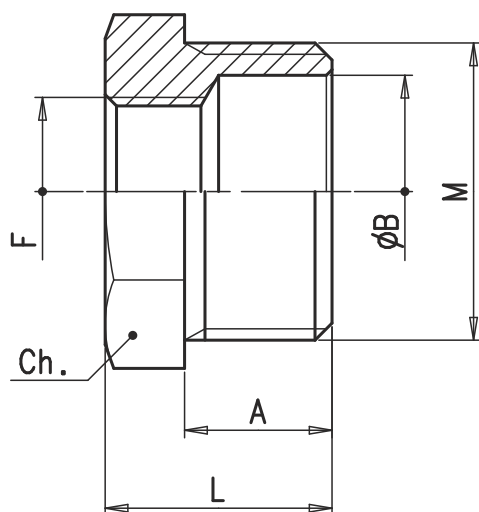


ART. 1581 RIDUZIONE MASCHIO/FEMMINA ISO 228



M x F	CODICE	L	A	øB	Ch.	MATERIALE
1/4" x 1/8"	1500455 <small>(1581000201)</small>	15,5	11,0	8,5	es.14	OTTONE CW614N secondo EN12164
3/8" x 1/8"	1500380 <small>(1581000301)</small>	16,0	11,5	12	es.17	OTTONE CW614N secondo EN12164
3/8" x 1/4"	1500308 <small>(1581000302)</small>	16,0	11,5	12	es.17	OTTONE CW614N secondo EN12164
1/2" x 1/8"	1500506 <small>(1581000401)</small>	18,0	13,5	15	es.21	OTTONE CW614N secondo EN12164
1/2" x 1/4"	1500134 <small>(1581000402)</small>	18,0	13,5	15	es.21	OTTONE CW614N secondo EN12164
1/2" x 3/8"	1500093 <small>(1581000403)</small>	14,5	10,5	15	es.21	OTTONE CW614N secondo EN12164
3/4" x 3/8"	1500209 <small>(1581000503)</small>	18,5	13,0	20,5	es.27	OTTONE CW614N secondo EN12164
3/4" x 1/2"	1500013 <small>(1581000504)</small>	20,0	13,0	18,9	es.27	OTTONE CW617N secondo EN12165
1" x 1/4"	1500367 <small>(1581000602)</small>	22,5	15,0	25,5	es.33	OTTONE CW614N secondo EN12164
1" x 3/8"	1500330 <small>(1581000603)</small>	22,5	15,0	25,5	es.33	OTTONE CW614N secondo EN12164
1" x 1/2"	1500030 <small>(1581000604)</small>	19,0	13,0	25,5	es.36	OTTONE CW617N secondo EN12165
1" x 3/4"	1500016 <small>(1581000605)</small>	19,0	13,0	24,4	es.36	OTTONE CW617N secondo EN12165
1"1/4 x 3/4"	1500098 <small>(1581000705)</small>	25,0	17,0	32,0	es.43	OTTONE CW617N secondo EN12165
1"1/4 x 1"	1500028 <small>(1581000706)</small>	25,0	17,0	30,6	es.43	OTTONE CW617N secondo EN12165
1"1/2 x 1/2"	1501010 <small>(1581000804)</small>	26,0	17,0	39,0	es.50	OTTONE CW614N secondo EN12164
1"1/2 x 3/4"	1500190 <small>(1581000805)</small>	26,0	17,0	39,0	es.48	OTTONE CW617N secondo EN12165
1"1/2 x 1"	1500075 <small>(1581000806)</small>	26,0	17,0	39,0	es.48	OTTONE CW617N secondo EN12165
1"1/2 x 1"1/4	1500082 <small>(1581000807)</small>	26,0	17,0	39,3	es.48	OTTONE CW617N secondo EN12165
2" x 1"1/4	1500138 <small>(1581000907)</small>	32,0	21,0	50,0	es.60	OTTONE CW617N secondo EN12165
2" x 1"1/2	1500130 <small>(1581000908)</small>	32,0	21,0	50,0	es.60	OTTONE CW617N secondo EN12165
2"1/2 x 1"	1500495 <small>(1581001006)</small>	40,0	27,0	62,0	ott.76	OTTONE CW617N secondo EN12165
2"1/2 x 1"1/4	1500499 <small>(1581001007)</small>	40,0	27,0	62,0	ott.76	OTTONE CW617N secondo EN12165
2"1/2 x 1"1/2	1500421 <small>(1581001008)</small>	40,0	27,0	62,0	ott.76	OTTONE CW617N secondo EN12165
2"1/2 x 2"	1500219 <small>(1581001009)</small>	40,0	27,0	62,0	ott.76	OTTONE CW617N secondo EN12165
3" x 1"1/2	1500526 <small>(1581001108)</small>	44,0	30,0	75,5	ott.89	OTTONE CW617N secondo EN12165
3" x 2"	1500324 <small>(1581001109)</small>	44,0	30,0	72,5	ott.89	OTTONE CW617N secondo EN12165
3" x 2"1/2	1500398 <small>(1581001110)</small>	44,0	30,0	72,6	ott.89	OTTONE CW617N secondo EN12165
4" x 2"	1500451 <small>(1581001209)</small>	51,0	36,0	97,0	ott.115	OTTONE CW617N secondo EN12165
4" x 2"1/2	1500514 <small>(1581001210)</small>	51,0	36,0	97,0	ott.115	OTTONE CW617N secondo EN12165
4" x 3"	1500518 <small>(1581001211)</small>	51,0	36,0	97,0	ott.115	OTTONE CW617N secondo EN12165