

ADORA®

A05.07 UK
User manual

12902.xx COLOR
Infigo L-200 150CC
Top shower set with thermostatic mixer



Intended nuse

- ADORA® top shower set with thermostatic mixer is manufactured to provide a shower with cold water, hot water and mixed water for personal hygiene
-

Guaranty

- A 10-year guaranty is granted against drip and manufacturing defects. The guaranty covers spare parts.
 - The purchase receipt is the product guaranty certificate. Keep the receipt together with the manual.
 - It is recommended to scan or copy the receipt, as printing ink may fade over time
-

Maintenance

- Mixers with chromed or colored surfaces and faucets in stainless steel must be wiped immediately after use
 - The temperature handle must be turned frequently to full hot and full cold position, this reduces the risk of limescale in the thermostatic unit
 - Stainless steel Mixers must be treated frequently with care products made especially for stainless steel
 - Stainless steel, which is not properly maintained, is likely to grow surface rust
 - The top shower nozzles are to be rubbed daily, by hand or with a towel
 - Top showers must be dismantled and descale regularly, at least every 3rd month.
 - Top showers that break due to calcification are not covered by the guaranty
-

Cleaning

- Use only neutral detergents that are not abrasive or lime-soluble and do not contain acid, chlorine, or phosphorus
 - When using sprayable detergents; always spray the detergent on a cloth first and then apply the cloth to the faucet. Direct spray on the faucet, gives a risk of damaging the rubber rings and other vital parts
 - Never use abrasive vapors or scouring sponges on faucets
 - Stainless steel faucets must be cleaned frequently with detergents made especially for stainless steel
-

Installation

ADORA® faucets shall be mounted in a legal installation and in accordance with applicable laws of the country in which the faucet is mounted. If there is any doubt about the correct installation, contact an authorized plumbing installer.

The operating pressure of the installation must be between 1 and 6 bar. At higher operating pressures, pressure reduction valves must be installed on both cold and hot water connections. The mixers factory settings are done at 3 bar pressure on hot and cold water.

If the faucet drips or does not work immediately after installation:

1. Leave the faucet installed and shut off the water supply
2. See the 'Questions & Answers' section in this manual
3. For more information go to www.adora-design.com or write to: info@adora-design.com

Remember to attach some photos of the installed product. Furthermore, a copy of the purchase receipt and if possible, the installation receipt.

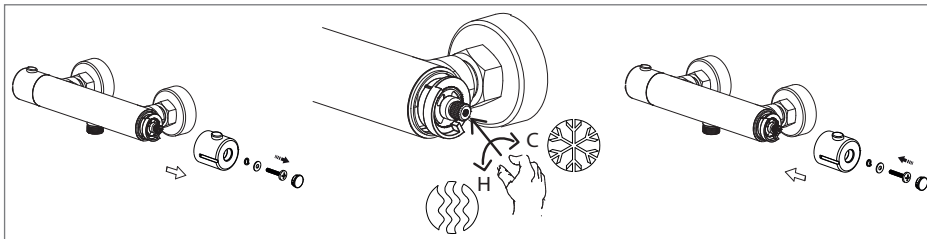
Before installation:

- Unpack the new top shower set and check that the filters are in position in the mounting nuts of the mixer
- Make yourself an overview of the content
- Make sure that the installation is compatible with the supplied mounting parts.
- If the installation does not fit together with the supplied mounting parts, obtain additional mounting parts at the dealer
- Prepare the necessary tools
- Shut off the water supply
- Remove the old mixer and shower set, and turn the water slightly on to flush the installation free from dirt

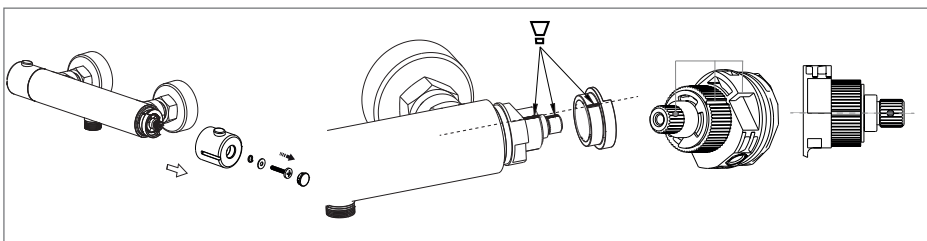
After installation:

- Open the regulation handle
- Slowly turn on the water supply
- Activate the thermostatic handle, first cold and then hot water
- Close the regulation handle
- Check that all connections are tight, and not leaking
- Repeat the check after a few hours to ensure successful assembly

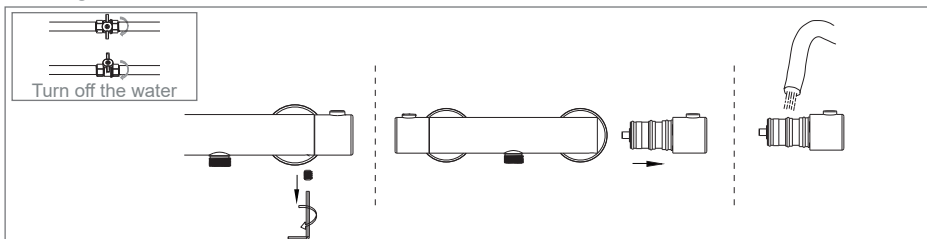
Adjustment of thermostatic unit to reach warmer or colder starting temperature at the 38°C mark



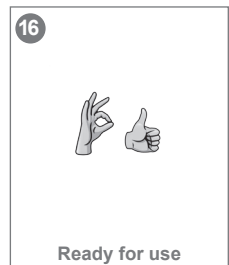
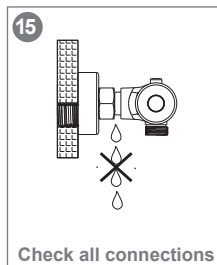
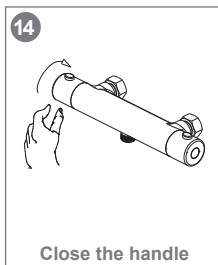
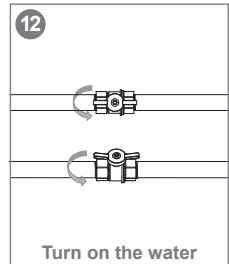
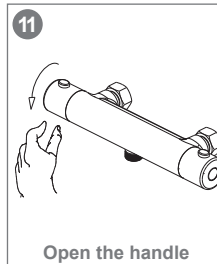
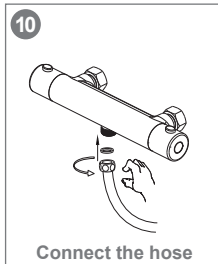
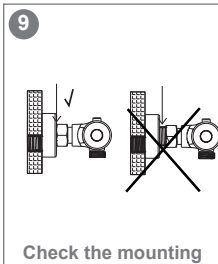
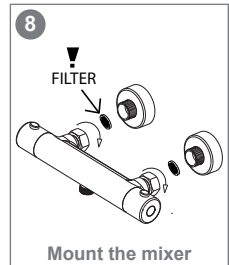
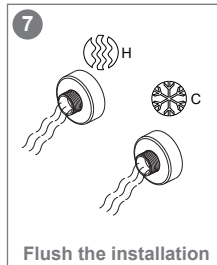
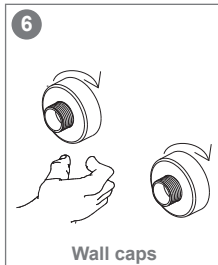
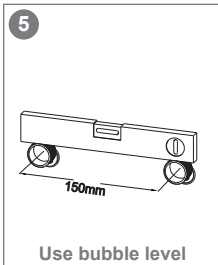
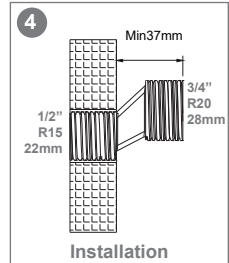
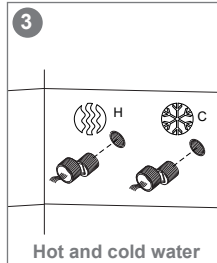
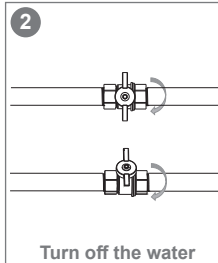
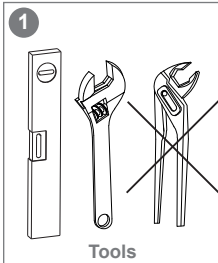
Re-setting thermostatic unit to 38°C starting temperature

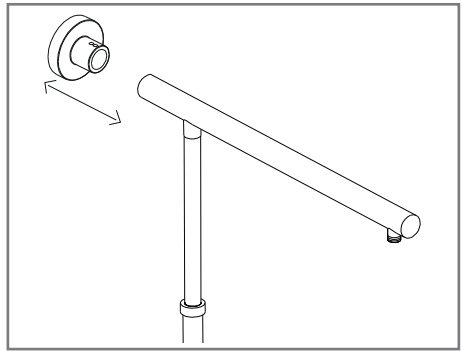
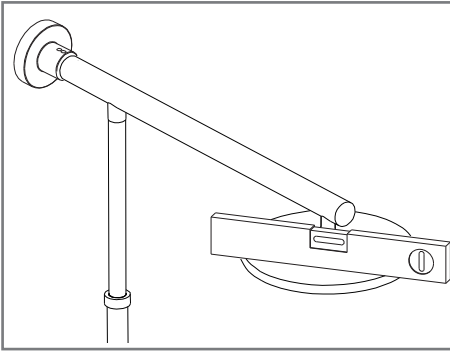
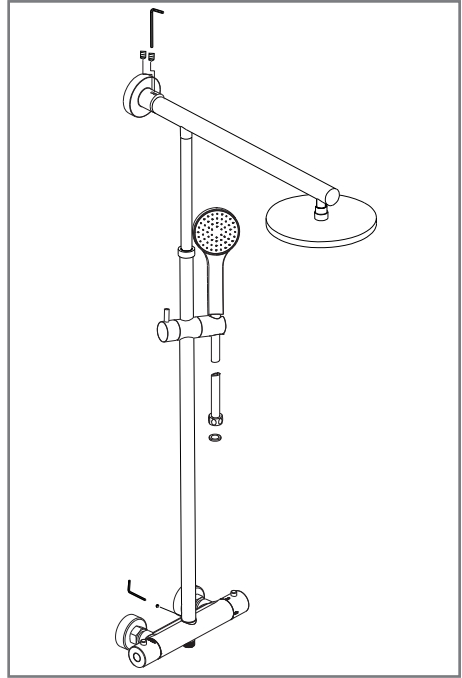
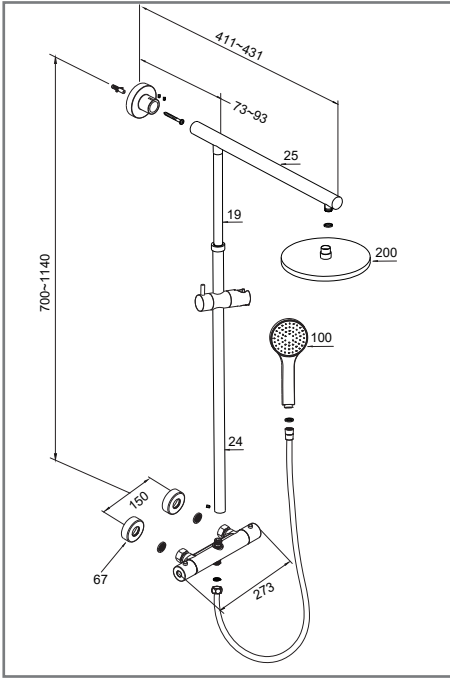


Cleaning thermostatic unit

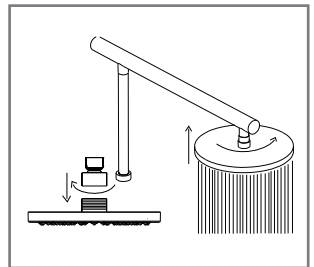
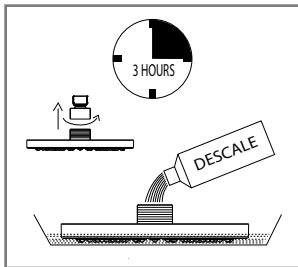
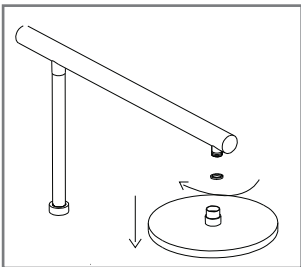


Top shower set with thermostatic mixer.
3/4" R20 connection. Center distance 150CC





Descaling top shower



Questions & Answers

The mixer does not work:	<ul style="list-style-type: none"> • Check that the mixer is fitted with proper cold water and hot water connection • Hot is marked with red indication. Cold is marked with blue indication • In standard installations, cold water is to the right and hot water to the left
Too little water comes out:	<p>Check if:</p> <ul style="list-style-type: none"> • there is dirt in the thermostatic unit filters? • there is dirt in the connection filters? • shower hose is clamped? • the top shower and hand shower has free passage? <p>Remove any water saving device in the hand shower.</p>
Too much water comes out:	<ul style="list-style-type: none"> • Turn down the water flow on the mixer • Mount if necessary, a water-saving hand shower
Water runs constantly:	<ul style="list-style-type: none"> • Turn off the water supply • Replace the flow cartridge
Water drips continuously:	<ul style="list-style-type: none"> • Turn off the water supply • Replace the flow cartridge
Water comes out at the flow control handle:	<ul style="list-style-type: none"> • Turn off the water supply • Replace the flow cartridge
The flow control handle moves tight:	<ul style="list-style-type: none"> • Turn off the water supply • Replace the flow cartridge
Water comes out at the thermostat handle:	<ul style="list-style-type: none"> • Turn off the water supply • Replace thermostatic unit
The thermostatic handle moves tight:	<ul style="list-style-type: none"> • Turn off the water supply • Descale or replace the thermostatic unit
Wall installation threads are too short:	<ul style="list-style-type: none"> • Means that the mixer is loose • Mount the mixer with both the filter gasket and the supplied extra gasket. Only models with 150CC mounting
The hand shower drips briefly after closing handle:	<ul style="list-style-type: none"> • This is normal. The remaining water naturally the leaves the shower head
Top shower briefly drips after closing of the handle:	<ul style="list-style-type: none"> • The top shower is not in a horizontal position; therefore, the water naturally leaves the top shower Adjust the top shower to a horizontal position.
Less water comes out of the top shower:	<ul style="list-style-type: none"> • The top shower is calcified • Descale the top shower

Water save

Water saving effect is indicated by a water pressure of 3 bar and is compared to showers and mixers without any water flow control. Water saving effect is indicated for the top shower.

Approvals

Specified approvals and test norms are related to the thermostatic mixer

Spare parts

Spare parts drawings are available at www.adora-design.com

Technical data

- Test pressure: 25 bar
 - Operating pressure: 1-6 bar
 - Max. inlet water temperature: 80 °C
 - Eco-stop
 - Scald protection at 38 °C
 - Test norm: Mixer EN1111
-

Disposal

Local national regulations on disposal and recycling must be observed.

Disclaimer

Nor the dealer, distributor or manufacturer can be liable for:

- Faults, defects, damage and consequential damage caused by incorrect installation
 - Faults, defects, damage and consequential damage caused by incorrect use
 - Damage caused by limestone and frost damage
 - Damage due to dirt from the water supply
 - Lack of maintenance
 - Faucets installed and used without following the user manual
 - Unnecessary violent behavior that causes damage to the product
-

Contact

www.adora-design.com - info@adora-design.com
