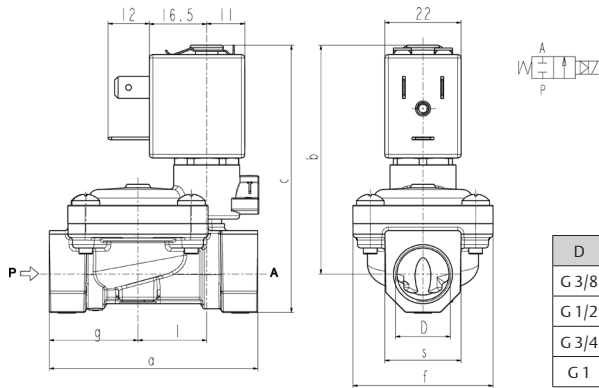


ASCO™ SOLENOID VALVE

2/2 NORMALLY CLOSED – PILOT OPERATED - G 3/8 ÷ G 1

SERIES
L182



D	a	b	c	f	g	l	s
G 3/8	60	66	77	40	25,5	20	22
G 1/2	66	68	82	40	29	20	27
G 3/4	79	72,5	89	50	35,5	24,5	33
G 1	105	85	106	71	46	28	42



General Features

Diaphragm valve, pilot operated, having full orifice.

Suitable to shut off liquid and gaseous fluids (verify the compatibility of fluid with material in contact).

Technical Features				
Maximum allowable pressure (PS)	20 bar			
Response times	3/8	1/2	3/4	1
Opening time (ms)	70	70	70	90
Closing time (ms)	670	600	500	420
Fluid temperature	-10°C +90°C (NBR) 0°C +130°C (FPM) -10°C +140°C (EPDM)			
Max viscosity	5°E (~37 cStokes or mm ² /s)			

Materials In Contact With Fluid	
Body	Brass
Sealing	NBR or FPM or EPDM
Internal components	Brass and stainless steel
Seat	Brass
Core tube	Stainless steel
Shading coil	Copper

Coil		ZB10A	ZB12A*	ZB14A*
Approval		/	UL and CSA	UL and CSA
Encapsulation material		PA fiberglass reinforced	PET fiberglass reinforced	PET fiberglass reinforced
Insulation class		F (155°C)	F (155°C)	H (180°C)
Ambient temperature		-10°C +60°C	-10°C +60°C	-10°C +75°C
Continuous duty		ED 100%		
Electric connection		DIN 46340 - 3 poles plug connector		
Protection degree		IP 65 (EN 60529) with plug connector	IP 67 (EN 60529) with plug connector	IP 67 (EN 60529) with plug connector
Voltages	DC	12-24V (+10% -5%)		
	AC	24V/50-60Hz - 115V/50Hz - 230V/50-60Hz (+10% -15%) (Other voltages and frequencies on request)		

*On Request

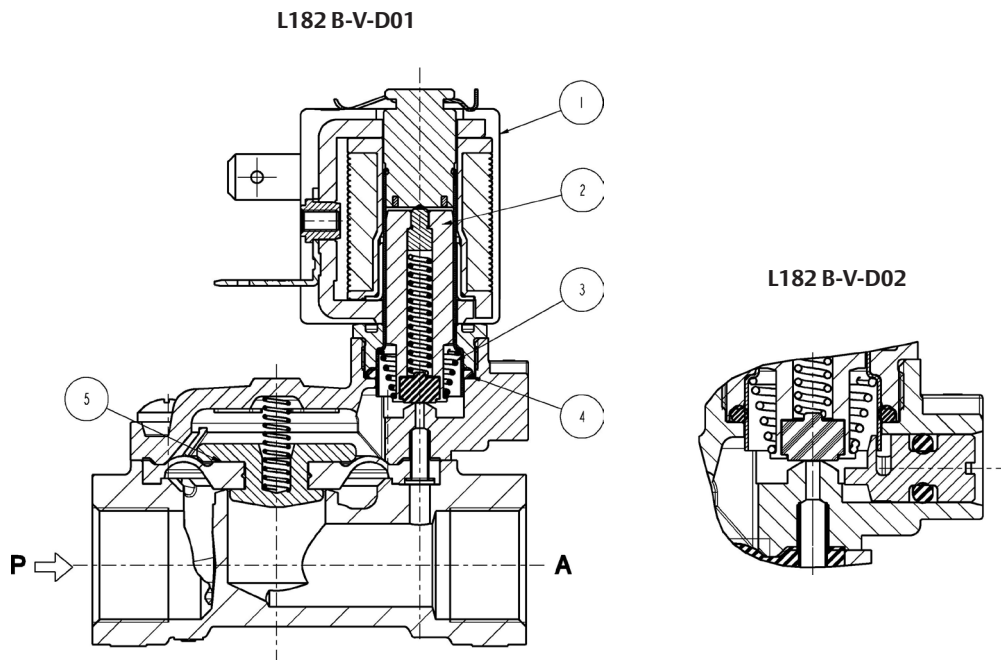
Coil		ZB12Y	ZB14Y
Approval		UL	UL
Voltages	AC	220-230V/50Hz 208-240V/60Hz (+10% -15%)	

Port size ISO 228	Orifice size (mm)	Differential pressure (bar)						Kv (m ³ /h)	Series and type			Power absorption				Sealings	Notes	Weight (kg)
		Δp min	Δp max				Valve		Valve with manual override	Coil	AC (VA)			DC				
			Gases		Liquids						Inrush VA	Holding VA	W		W			
			AC	DC	AC	DC												
3/8	13,5	0,35	16	16	16	16	2,5	L182(*)01	L182(*)02	ZB10A ZB12A	12	6	4	5,5	(*) = B (NBR) (*) = V (FPM) (*) = D (EPDM)	1-3	0,32	
1/2			16 (12)	16 (12)	16 (12)	16 (12)	3,8										0,38	
3/4	12		12	12	12	5	0,52											
1	12 (10)		12 (10)	12 (10)	12 (10)	12	1,08											

Notes

- Sealings: B(NBR)=Nitrile-butylene elastomer V(FPM)=Fluoro-carbon elastomer D(EPDM)=Ethylene-propylene elastomer (WRAS/KTW certified compound)
 - Operation with gaseous media, at high pressure without any outlet restriction, can reduce the diaphragm life.
 - On request coil in class H (ZB14A – see § “COIL”)
 - The bracketed values of Δp max are related to valves with V(FPM) seals.
- 1 - Low power consumption coil on request (3,5 VA in AC – 3W in DC): Δp max = 12 bar
 2 - Low power consumption coil on request (3,5 VA in AC – 3W in DC): Δp max = 8 bar
 3 - L182D01 – L182D02: Product under recertification process WRAS.

Spare Parts



Kit description	Model	Port Size	Kit P.N.	Consisting of:
Core kit	L182B-V		G3138201	Core kit pos.2
	L182D		G3138202	Core return spring pos. 3 O-Ring guide assembly pos. 4
Diaphragm assembly	L182B	3/8-1/2	2844302R	Diaphragm assembly pos.5
	L182V	3/8-1/2	2844303R	
	L182D	3/8-1/2	2844306R	
	L182B	3/4	2299701R	
		1	2380101R	
	L182V	3/4	2299702R	
		1	2380102R	
L182D	3/4	2299708R		
Coil			ZB10	Coil pos.1
			ZB12	
			ZB14	

Installation

- Solenoid valve can be mounted in any position; vertical with coil upwards preferred.

THE VALIDITY OF REPORTED DATA IS REFERRED TO THE DATE OF ISSUE. POSSIBLE UPDATES ARE AVAILABLE ON REQUEST