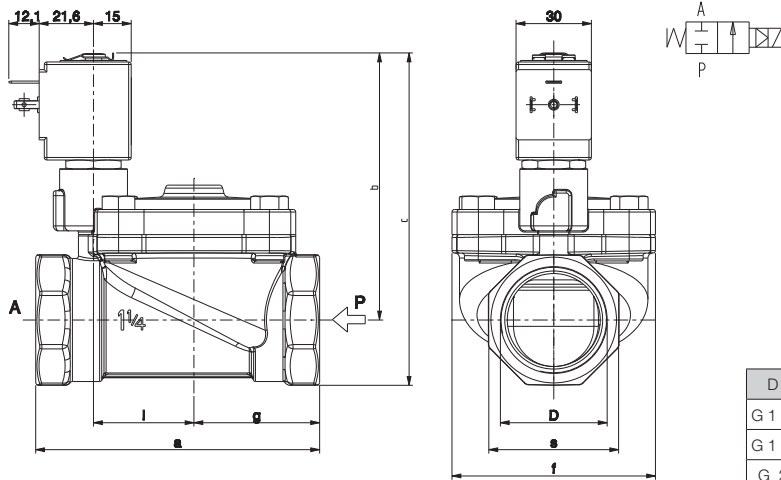


ASCO™ SOLENOID VALVE

2/2 NORMALLY CLOSED – PILOT OPERATED - G1 ¼ ÷ 2

SERIES
L182-BIG



D	a	b	c	f	g	l	s
G 1 ¼	113	106	132	81	50	40	52
G 1 ½	140	110	140	110	64	53	60
G 2	157	114	150	110	72	53	72

General Features

Diaphragm valve, pilot operated, having full orifice.

Suitable to shut off liquid and gaseous fluids (verify the compatibility of fluid with materials in contact).

Not suitable for use with dangerous fluids listed in Group 1, therefore they are free from CE marking in conformity with article 3 § 3 of the European Directive 97/23/EC (Pressure Equipment Directive).

Technical Features			
Maximum allowable pressure (PS)	15 bar		
Response times	1 1/4	1 1/2	2
Opening time (ms)	100	360	360
Closing time (ms)	650	650	650
Fluid temperature	-10°C +90°C (NBR) 0°C +130°C (FPM)		
Max viscosity	5°E (-37 cStokes or mm²/s)		

Coil	
Approval	UL (class F) – for UL cl.H: ZA34 (E153691)
Continuous duty	ED 100%
Encapsulation material	PPS (Polyphenylsulfure) fiberglass reinforced
Insulation class	F (155°C) on request class H (180°C)
Ambient temperature	-10°C +50°C
Electric connections	DIN 46340 - 3 poles connectors (EN175301-803)
Protection degree	IP 67 (EN 60529) with plug connector
Voltages	DC 12-24V (+10% -5%)
	AC 24V/50Hz - 110V/50Hz (120V/60Hz) - 230V/50Hz (+10% -15%) (Other voltages and frequencies on request)

Materials in Contact with Fluid	
Body	Brass
Sealing	Diaphragm: NBR or FPM / Actuator: FPM
Internal components	Brass and stainless steel
Seat	Brass
Guide assembly	Stainless steel
Shading ring	Copper

Port size ISO 228	Orifice size (mm)	Differential pressure (bar)				Kv (m³/h)	Series and type			Power absorption			Sealings	Notes	Weight (kg)				
		Δp min	Δp max		Valve		Valve with manual override	Coil	AC (VA)		DC (W)								
			Gases	Liquids					Inrush	Holding									
G 1 ¼	30	0,50	10	10	10	15	L182B48	L182B49	ZA10A	23	14	9	NBR (diaphragm) FPM (actuator)	-	1,590				
G 1 ½	45															27	2,510		
G 2	45															34	2,990		
G 1 ¼	30						15	27								L182V48	L182V49	2,510	
G 1 ½	45																		2,510
G 2	45																		34

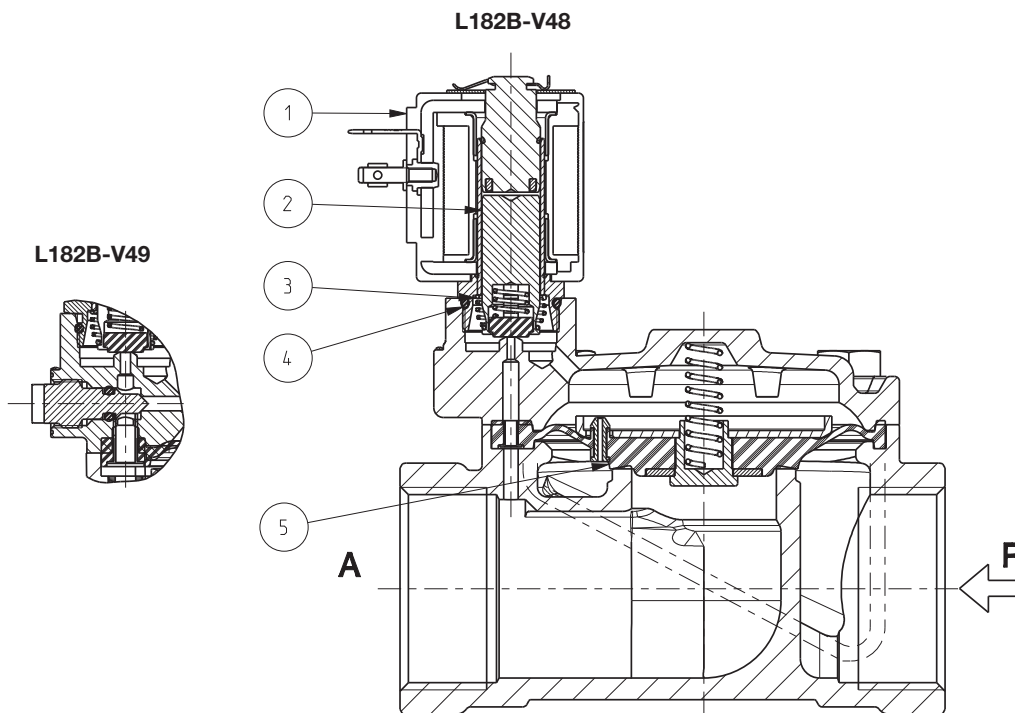
Notes

- Sealings : NBR = Nitrile-butylene elastomer FPM = Fluoro-carbon elastomer
- Operation with gaseous fluids at high pressure without any outlet restriction can reduce the diaphragm life.
- IMQ CSV approval, see ZA10 datasheet for further details

SERIES
L182-BIG

ASCO™ SOLENOID VALVE
2/2 NORMALLY CLOSED – PILOT OPERATED - G1 ¼ ÷ 2

Spare Parts



Kit description	Model	Port Size	Kit P.N.	Consisting of:
Core kit			G3146801	Core pos. 2 Core return spring pos. 3 OR guide assembly pos. 4
Diaphragm kit	L182B..	G 1 ¼	2400801R	Diaphragm assembly pos. 5
		G1 ½ - 2	2401301R	
	L182V..	G 1 ¼	2400802R	
		G1 ½ - 2	2401302R	
Coil			ZA10A	Coil pos. 1

Installation

- Solenoid valve can be mounted in any position; vertical with coil upwards preferred.

THE VALIDITY OF REPORTED DATA IS REFERRED TO THE DATE OF ISSUE. POSSIBLE UPDATES ARE AVAILABLE ON REQUEST